

APPENDIX A
MANUFACTURER'S
PLAYGROUND EQUIPMENT
INSTALLATION INSTRUCTIONS

WARNER PARK



COLOR KEY

- OLIVE
- BLUE
- RED
- YELLOW
- ORANGE



INFORMATION:
MINIMUM FALL ZONE
SURFACED WITH
RESILIENT MATERIAL
AREA

3814 SQ.FT.

PERIMETER
414 FT.

STRUCTURE SIZE
58' 11" x 96' 0"

STRUCTURE IS DESIGNED
FOR CHILDREN AGES:

- 6-23 MONTH OLDS
- 2-5 YEAR OLDS
- 5-12 YEAR OLDS
- 13+ YEAR OLDS



Registered
to ISO 9001

Registered
to ISO 14001

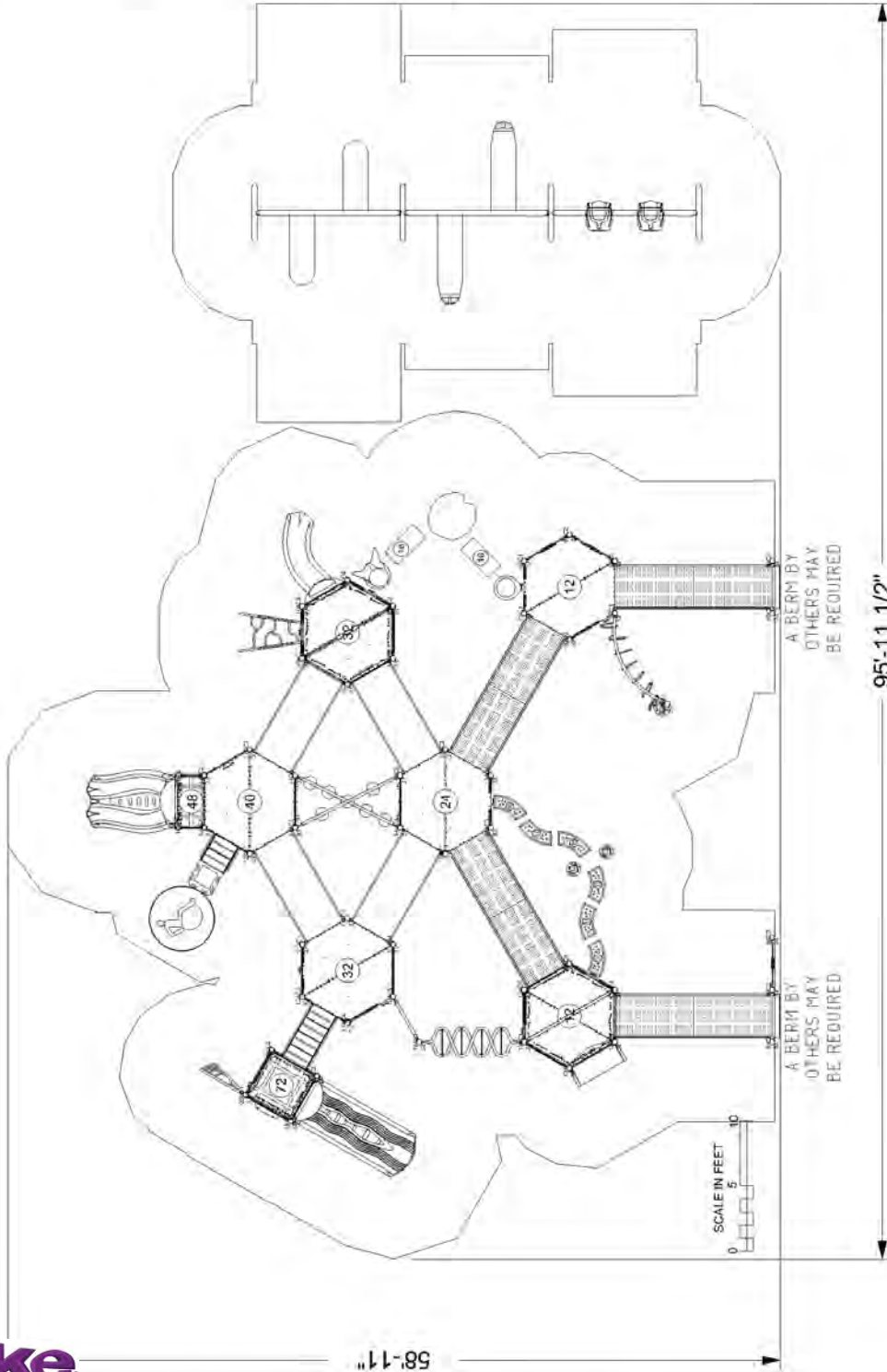


To verify product certification,
visit www.ipema.org

The play components identified
in this plan are IPEMA
certified. The use and layout of
these components conform to the
requirements of ASTM F1487.
To verify product certification,
visit www.ipema.org

The space requirements shown
here are to ASTM standards.
Requirements for other standards
may be different.

The use and layout of play
components identified in this plan
conform to the CPSC guidelines.
U.S. CPSC recommends the
separation of age groups in
playground layouts.



A BERM BY
OTHERS MAY
BE REQUIRED

A BERM BY
OTHERS MAY
BE REQUIRED

WARNING!

ACCESSIBLE SAFETY SURFACING MATERIAL IS REQUIRED BENEATH
AND AROUND THIS EQUIPMENT.
FOR SLIDE FALL ZONE SURFACING AREA SEE CPSC's Handbook for
Public Playground Safety.
PLATFORM HEIGHTS ARE IN INCHES ABOVE RESILIENT MATERIAL.

ADA ACCESSIBILITY GUIDELINE (ADAAG CONFORMANCE)

NUMBER OF PLAY EVENTS:	45	RECD: 0
NUMBER OF ELEVATED PLAY EVENTS:	24	RECD: 0
NUMBER OF ELEVATED PLAY EVENTS ACCESSIBLE BY RAMP:	PROVIDED: 20	RECD: 0
NUMBER OF ELEVATED PLAY EVENTS ACCESSIBLE BY TRANSFER SYSTEM:	PROVIDED: 24	RECD: 0
NUMBER OF ELEVATED PLAY EVENTS ACCESSIBLE BY RAMP OR TRANSFER SYSTEM:	PROVIDED: 21	RECD: 0
NUMBER OF TYPES OF GROUND LEVEL PLAY EVENTS:	PROVIDED: 12	RECD: 0

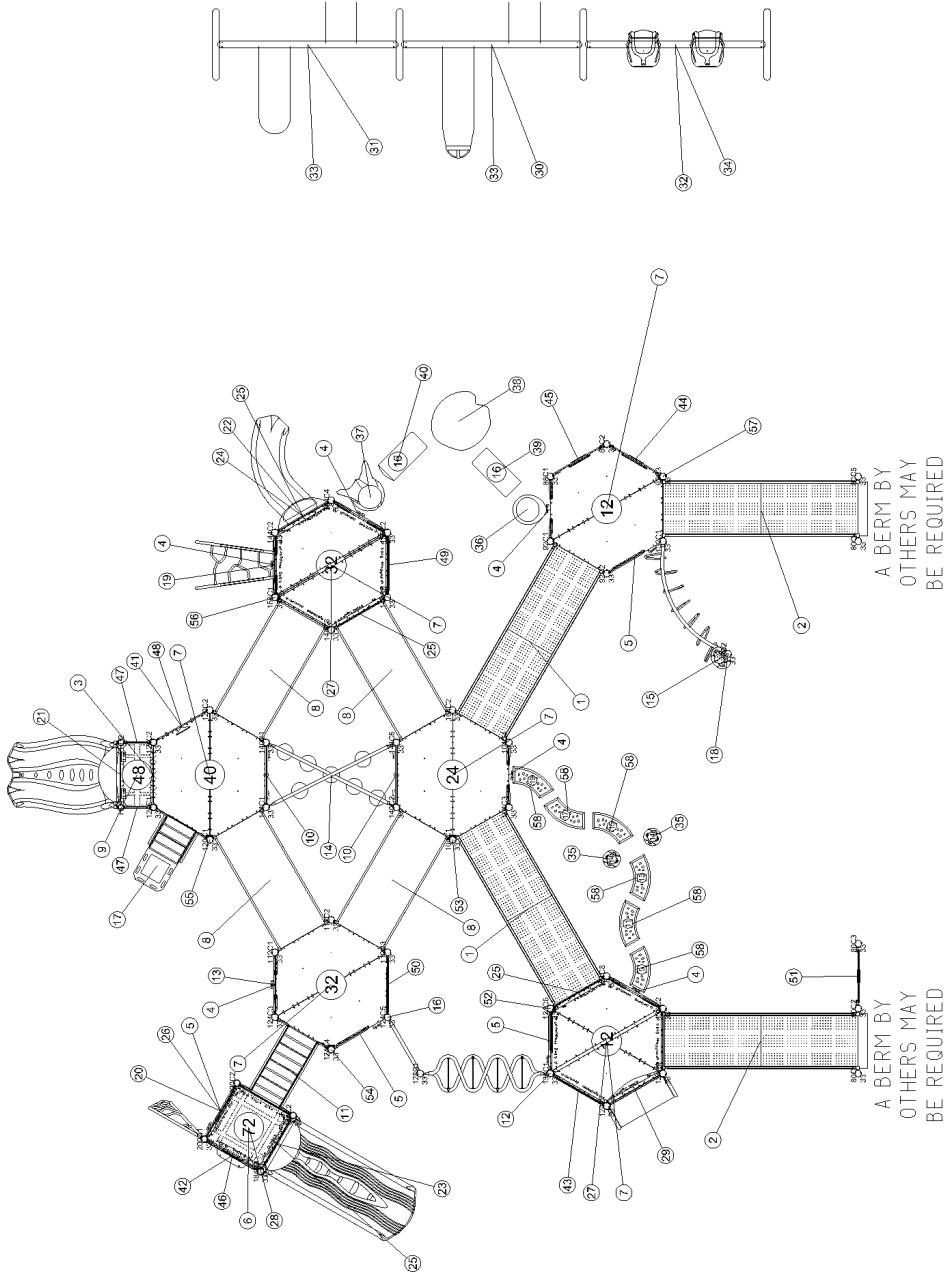


SERIES: Basics, Intensity, Nucleus
SITE PLAN
DRAWN BY: Landon Berendsen

Warner Park
2930 N Sherman Ave
Madison, WI 53704

November 19, 2021
Lee Recreation, LLC
142-147333-1

ITEM	COMP	DESCRIPTION
1	270-0003	12" RISE RAMP W/ GUARDRAILS
2	270-0005	12" RISE ENTRANCE RAMP W/ G
3	270-0009	8" CLOSURE PLATE, ELLIPSE
4	270-0120	EVOLUTION UNITARY ENCLOSUR
5	270-0122	EVOLUTION OFFSET ENCLOSUR
6	270-0130	SQUARE PLATFORM
7	270-0131	HEXAGONAL PLATFORM SSP
8	270-0221	8" RISE RAMP W/ GUARDRAILS
9	270-0291	HALF PLATFORM W/SUPPORT
10	270-0292	EVOLUTION CENTER MOUNT EN
11	370-0041	EVOLUTION 40" TRANSITION ST
12	370-0808	TWISTING TRAVERSE
13	370-0860	TREE BRANCH CLIMBER 32"
14	370-1593	PODSTEP LINK
15	370-1608	OVISTEP LAUNCH PAD
16	370-1616	TAKTIKS, TALL ROPE WALL
17	370-1661	TRANSFER STATION, BARRIER
18	370-1675	STRAIGHT OVERHEAD, NUCLEU
19	370-1680	BETA CLIMBER 32" 40"
20	370-1695	VIA CLIMBER 64" 72"
21	470-0755	LUGE SLIDE, 48"-56"
22	470-0802	MONACO SLIDE, 32"-40"
23	470-0803	CONTOUR SLIDE, 64"-72"
24	470-0804	SLIDE HOOD, LOW SIDE WALL
25	470-0808	EVOLUTION ROOF BOTTOM EDC
26	470-0809	SQUARE ROOF TOP EDGE, ONE
27	470-0813	EVOLUTION HEX ROOF
28	470-0867	EVOLUTION SQUARE ROOF
29	470-0888	SERENITY SPOT, TO ROOF
30	550-0100	TOT SEAT, 7' & 8' PAIR, STD CH
31	550-0112	BELT SEAT, 8' PAIR, STD CHAIN
32	550-0135	5" OD ARCH SWING
33	550-0136	5" OD ARCH SWING ADD-ON
34	550-0175	FREEDOM SWING SEAT, PAIR, 8
35	560-0453	STEP SPOT POD 8'-16"
36	560-0553	NATURE PLAY STUMP - SMALL
37	560-0554	NATURE PLAY STUMP - LARGE
38	560-0555	NATURE PLAY ROCK, MEDIUM
39	560-2615	NATURE PLAY HORIZONTAL SPL
40	560-2617	NATURE PLAY SLOPED SPLIT LG
41	570-0672	PLATFORM ROLL GUARD
42	570-0838	CLUBHOUSE COUNTER PANEL
43	570-0848	SIGNING 2-SIDED PLAY PANEL
44	570-1854	TOUCH & PLAY PIANO PANEL
45	570-1855	TOUCH & PLAY DRUM PANEL
46	570-1858	3-IN-A-ROW PANEL, ABOVE PLA
47	570-2624	HALF PIPE WALL
48	570-2668	CAR ACCESSIBLE REACH PANEL
49	570-2678	CLOCK PANEL
50	570-2713	HIDE THE NUMBERS PANEL
51	570-2718	SEEK'N'FIND 2-SIDED PLAY PANI
52	570-2721	DOTS POST MOUNTED SPINNER
53	570-2722	PETALS POST MOUNTED SPINNI
54	570-2723	PINWHEEL POST MOUNTED SPIR
55	570-2724	RADIATE POST MOUNTED SPINN
56	570-2725	SPOKES POST MOUNTED SPINNI
57	570-2726	WAVES POST MOUNTED SPINNI
58	580-1312	NOVO ARC BENCH



A BERM BY
OTHERS MAY
BE REQUIRED

A BERM BY
OTHERS MAY
BE REQUIRED



November 19, 2021

SERIES: Basics, Intensity, Nucleus
COMPONENT PLAN
DRAWN BY: Landon Berendsen

Warner Park
2930 N Sherman Ave
Madison, WI 53704

Lee Recreation, LLC
142-147333-1

Burke®

Order Number

Job Name

Structure Number

GENERAL CONFORMITY CERTIFICATION

As required by the Consumer Product Safety Improvement Act of 2008, Public Law 110-314 122 Stat. 3016 (August 14, 2008) H.R. 4040

1. This Certification of Compliance covers the playground components sold on Order #____, identified as Proposal #_____.
2. This Certification of Compliance certifies that the products identified in item 1 comply with all rules, bans, standards or regulations applicable to the product under the Consumer Product Safety Improvement Act of 2008; Sections 101, 102, 103 and 108.
3. Manufacturer certifying compliance of the products:
BCI Burke Company, LLC
660 Van Dyne Road
Fond du Lac, WI 54935
(920) 921-9220
4. The contact information for the individual maintaining records of the test results is as follows:
Wayne Orvold
BCI Burke Company, LLC
660 Van Dyne Road
Fond du lac, WI 54935
(920) 921-9220
Worvold@bciburke.com
5. These products were manufactured for shipment on _____.
6. This General Conformity Certification and certification of compliance is based on testing completed through a reasonable testing program (ISO WI 028-08) maintained at the manufacturer listed above.
7. The testing for this certificate was completed at:
Applied Technical Services, Incorporated
1049 Triad Coart
Marietta, GA 30062
(770) 423-1400

TABLE OF CONTENTS

INTRODUCTION	4
SUPERVISION	5
PRE-INSTALLATION GUIDELINES	6
GENERAL INSTALLATION GUIDELINES.....	7
TYPICAL CONCRETE FOOTINGS.....	10
RESILIENT SURFACING MATERIAL.....	13
ASTM REQUIREMENTS FOR FASTENING DEVICES	16
WARNING AND MANUFACTURER LABELS	17
INSPECTION CHECKLIST.....	20
MAINTENANCE.....	21
SUGGESTED PUBLIC PLAYGROUND LEADERS CHECKLIST	36
BCI BURKE WARRANTY	37
APPENDIX.....	40
BCI BURKE HARDWARE.....	41
INSTALLATION INSTRUCTIONS (NUMERICAL ORDER BY COMPONENT NUMBER).....	46

SITE PLAN & FOOTING PLAN DRAWINGS ARE LOCATED IN THE BACK OF THE MANUAL ALONG WITH ORDER DOCUMENTATION.

INTRODUCTION

Congratulations on your purchase of Burke playground equipment!

A tremendous amount of care, quality and workmanship went into the design and manufacture of your equipment. Now is the time when your part of the teamwork really begins.

Following are a few topics vital to the maintenance of your playground and - most importantly - minimizing your problems in the field.

- All equipment must be installed per Burke Installation Guidelines and Specifications. Detailed prints and instructions are included in the back of this manual, arranged in numerical order by the component number which can be found on the site plan drawings which are at the very end of this manual.
- Don't forget to add a proper safety surface, as recommended by CPSC Guidelines for Public Playground Equipment and ASTM- F 1487 Standards or CSA/CAN Z614 Standards.
- It is critical to the long life of your equipment to establish a routine maintenance program. To help you, enclosed is a checklist including frequency for inspection based on recommendations of the CPSC Guidelines for Public Playground Equipment.

If your playground has been installed in atmospheric conditions of high salt content, i.e. near the ocean, the chance for corrosion is much more likely. Therefore, frequent checks are highly recommended.

Your equipment has arrived in great shape.
Protect your Warranty - equipment maintenance is up to you.

We are here to help you with any questions or concerns you may have about your equipment. Please feel free to call our Toll Free 1-800 number.

Thank you for your business.

BCI Burke Company, LLC

For questions, call us at:
1-800-356-2070

This installation manual is applicable to the following playground equipment: **Nucleus®**, **Voltage®**, **Intensity®**, **NaturePlay®**, **Circuit Play®**, **Circuit Play Beginnings®**, **Little Buddies®** and **Burke Basics**

BCI Burke Company, LLC
660 Van Dyne Road • P.O. Box 549 • Fond du Lac, WI 54936-0549 • (920) 921-9220 • 1-800-356-2070 • Fax (920) 921-9566
www.bciburke.com

SUPERVISION

Playgrounds should be supervised at all times when children are using them. Supervisors and parents should use sound judgment in preventing overcrowding on equipment, or the use of play apparatus whose challenge exceeds the user's capabilities. Parents and adult supervisors should instruct children on the safe use of playground equipment. Intensive classroom and home instruction about safe behavior on playground equipment make an important contribution to playground safety.

For references and details on safety recommendations, we suggest you add the following publications to your library.

- **Consumer Product Safety Commission (CPSC) A Handbook for Public Playground Safety** (Publication No. 325)
-Standard consumer safety performance specification for playground equipment for public use.
- **American Society for Testing and Materials (ASTM) F1487**
-Standard consumer safety performance specification for playground equipment for public use.
- **American Society for Testing and Materials (ASTM) F1292**
-Standard specification for impact attenuation of surface systems under and around playground equipment.
- **Canadian Standards Association (CAN/CSA) Z614**
-Children's Playspaces and Equipment A National Standard of Canada

To obtain the above publications you may contact the following:

US Consumer Product Safety Commission
Washington, D.C. 20207
1-800-638-2772
<http://www.cpsc.gov>

Canadian Standards Association
5060 Spectrum Way, Suite 100
Mississauga, Ontario, Canada L4W 5N6
<http://www.csa.ca>
(800) 463-6727

American Society for Testing and Materials
100 Barr Harbor Dr.
West Conshohocken, PA 19428
<http://www.astm.org>
(610) 832-9585
Fax: (610) 832-9555

NOTE:

For equipment and components that are certified and compliant with the Canadian Standard, CAN/CSA Z614, BCI Burke Company, LLC has performed the necessary Structural Integrity tests required and can ensure compliance with the requirements of Clause 9.

BCI Burke Company, LLC
660 Van Dyne Road • P.O. Box 549 • Fond du Lac, WI 54936-0549 • (920) 921-9220 • 1-800-356-2070 • Fax (920) 921-9566
www.bciburke.com

PRE-INSTALLATION GUIDELINES

Instructions are clearly presented and simple to read. Each step in the process is concisely explained. There are no secrets to completing a successful BCI Burke play structure package. Carefully read the instructions and familiarize yourself with the assembly procedures. Continually keep in mind that proper planning saves time and money. When your unit is finally assembled, place your instruction sheets in a safe, but easily accessible, file for future referral. Do not deviate or take shortcuts in the assembly procedures.

BCI Burke builds durable, long-lasting equipment. You, however, are responsible for the proper installation and maintenance of the equipment. Always follow the equipment installation drawings provided and DO NOT deviate from the specifications or fabrication.

Several steps are of the **UTMOST IMPORTANCE** before beginning assembly:

1. Read instructions carefully and familiarize yourself with the site plan drawings in the very back of this manual, and the accompanying component installation instructions, arranged in numerical order also in the back of this manual.
2. Make sure to plan to orientate and place structures so that slides are not in direct sunlight during play times, as slide surfaces tend to get hot.
3. Clear and level an area large enough for your unit and the recommended minimum use and no-encroachment zones. A use zone is an area beneath and around the equipment, which we have identified on the plan drawing, which can be found in the back of this manual. This zone under and around your equipment must be free and clear of any obstruction. Overhead obstructions within the use zones of playground equipment that are not part of the play structure (for example tree limbs) shall be at least 84" above each designated play surface or 84" above the pivot point of the swings. All overhead utility line clearances above the use zone areas shall comply with all local, state, and national codes (ex: National Electrical Safety Code).
4. Have the proper tools available for installation. You will need an auger for digging footing holes, hammer, rubber mallet, 3/16", 1/4", 5/16", 7/16" and 3/4" drill bits, an accurate level, tape measure along with a standard set of wrenches, and a non-permanent felt-tip pen for marking clamp locations. A tool for completely closing S-Hooks is also necessary.
5. The equipment will arrive via truck and will be packed on long pallets, up to 14' long. You will need to plan for a way to remove the pallets from the truck, either with a fork lift with extended forks, or a large group of people to unload from the pallet on the truck by hand.
6. The use of a transit is recommended for accurate footing and platform heights. Plot the dimensions of your layout accurately with all 5" OD (Nucleus, Intensity) support posts at 48" centers, all 3-1/2" OD (Voltage) platform support posts at 44" centers and all 2-3/8" OD (Little Buddies) platform support posts at 40" centers. Footing hole locations for other components can be done at a later time during installation.

BCI Burke Company, LLC

660 Van Dyne Road • P.O. Box 549 • Fond du Lac, WI 54936-0549 • (920) 921-9220 • 1-800-356-2070 • Fax (920) 921-9566

www.bciburke.com

GENERAL INSTALLATION GUIDELINES

1. Identify each component of your equipment before starting installation. The Site Plan drawings in the very back of this manual identify each component by number and also identify each of the upright support posts with a letter and number designation.
2. The letter and number designation for the upright posts can also be found on the packaging of each post. See Figure 1 for reference below.

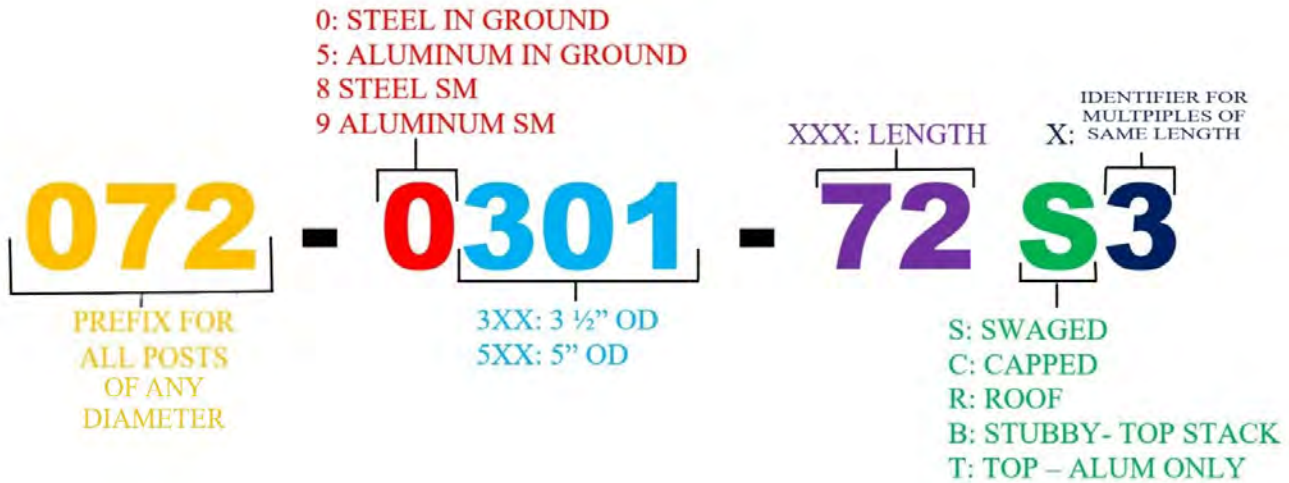


Figure 1

3. The Installation Instructions are located in the back of this manual, arranged in numerical order by the component number. The component number can be found on the site plan and on the list of components in the order documentation.
4. The platform heights, which are shown as a number in a circle on the platform on the Site Plan Drawings, are measured from the finished grade of the resilient surfacing material to the top of the platforms. They are shown in inches.
5. Footing hole depths may vary depending on the depth of the resilient material to be installed along with local soil and weather conditions. See Typical Concrete Footings in Figures 2 - 7 (located on pages 11 - 13). Use masonry bricks, gravel, or shims at the bottom of the footing holes in order to block up and plumb the posts and the platforms to the correct level. Be sure to use red plastic caps provided on ends of posts to keep posts from sinking in support material.
6. Assemble the main structure referring to the site plan and installation drawings for correct post and platform orientation. **Make sure to attach and use connecting pieces (e.g. bridges, horizontal ladders, stairs and stair barriers, rigid tubes, etc.) to ensure the correct distances to adjacent main structure units, platforms or supports. It is very difficult to adjust post spacing once they are set in concrete.**

BCI Burke Company, LLC

660 Van Dyne Road • P.O. Box 549 • Fond du Lac, WI 54936-0549 • (920) 921-9220 • 1-800-356-2070 • Fax (920) 921-9566

www.bciburke.com

GENERAL INSTALLATION GUIDELINES

7. After each connecting section is attached, be sure to plumb and level each component and tighten all bolts, nuts and set screws. After tightening all bolts, nuts and set screws, make sure to check any exposed bolt ends to make sure they do not protrude beyond the face of the nut more than 2 threads as required in ASTM F1487 section 6.4.3.

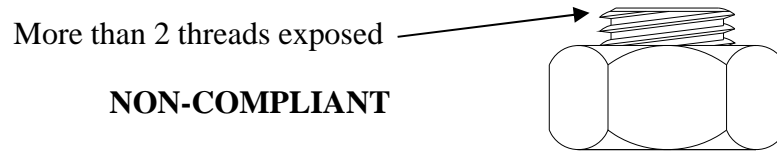


Figure 1: Thread Protrusion

If there are more than 2 threads protruding beyond the face of the nut, check for correct hardware and assembly first. If hardware and assembly are correct, there are several ways to remedy the exposed threads. You could use a shorter bolt, put extra washers behind the nut or cut the bolt removing the extra threads. If you cut the bolt, make sure to grind the ends so that they are free of burrs and sharp edges. If there are opposing bolts, such as on swing hangers, you can loosen one nut and tighten the other to even the protruding threads out

8. Once the central unit is in place, brace posts in vertical position until footings have been poured, recheck level and tighten all bolts, nuts and set screws. See corresponding installation drawings.
9. Attach safety enclosures (e.g. pipe walls, panels) on all platforms where other play components are not used. Tighten all bolts, nuts and set screws.
10. Attach other components (e.g. slides, arch ladders, cargo nets, etc.) next, according to their respective installation instruction drawings. Tighten all bolts, nuts and set screws.
11. Pour concrete footings. **MAKE SURE UNIT IS PLUMB AND LEVEL BEFORE POURING CONCRETE FOOTINGS.** See Typical Concrete Footings in Figure 2 through Figure 5 (Located on Page 7 through Page 9). After concrete footings have been poured and the concrete has set, backfill holes with dirt to reduce the potential of any concrete footing ever protruding above the resilient surfacing material
12. Clamp and Bracket Installation Guidelines:

Nucleus/Voltage/Intensity

Drill holes to pin or rivet mount brackets per instructions in installation drawings. This is VERY IMPORTANT. This will ensure that the components will not slide, slip, or rotate on the brackets. **NOTE:** In coastal areas, a clear silicone caulk (provided in installation kit with purchase of Burke Coastal Package) can be utilized to help seal the drilled holes prior to inserting rivets into the mount brackets. See typical mount bracket assembly drawings located in the installation instructions section.

BCI Burke Company, LLC

660 Van Dyne Road • P.O. Box 549 • Fond du Lac, WI 54936-0549 • (920) 921-9220 • 1-800-356-2070 • Fax (920) 921-9566

www.bcburke.com

GENERAL INSTALLATION GUIDELINES

13. Install resilient material in accordance to installation guidelines, ASTM standards and CPSC guidelines. See Resilient Surfacing Material, Figures 6 - 8, and Table 1 (located on pages 10 - 12).
14. Attach swings, rings, and tire swings after resilient surfacing material is in place. Completely close all "S" hooks. See ASTM Requirements for Fastening Devices in Figures 9 - 12 (located on page 13).
15. Attach Warning and Manufacturer labels. See Warning and Manufacturer Labels for instructions and Figures 13 - 14 (located on pages 14 - 15).
16. After installation is complete, inspect the entire unit. Make sure all fastening hardware and setscrews are tight, and all drive pins and rivets have been installed. Make sure all "S" hooks are completely closed. Check all coated parts to ensure coating is covering all metal; if not, follow repair instructions listed in the Maintenance section.
17. Most of our fasteners are precoated with a Loctite patch. As noted previously, fasteners should only be started for initial assembly so that the Loctite is not activated. Once you are going to tighten the hardware, use this list for standard fastener torque specs. Note: it may be necessary to tighten a bolt more than standard torques in order to have the assembly draw two parts together. **We do not recommend the use of impact wrenches for the assembly of any playground components as they can damage the hardware, nutsert and component part.**

1/4"-20	100 in-lb
5/16"-18	140 in-lb
3/8"-16	250 in-lb
7/16"-20	400 in-lb



NO IMPACT WRENCHES

Also note that fastener torque should not be tested after the Loctite has been activated or set up. It would take a much greater torque to break the screw loose, and that may cause the Loctite to not hold the screw tight.

18. We strongly recommend complete inspections for new structures occur within three (3) days after installation, within seven (7) days after installation and on a regularly scheduled basis thereafter. Playgrounds with heavy use should be inspected daily. For your convenience there is an Inspection Checklist (located on page 16).

BCI Burke Company, LLC

660 Van Dyne Road • P.O. Box 549 • Fond du Lac, WI 54936-0549 • (920) 921-9220 • 1-800-356-2070 • Fax (920) 921-9566

www.bciburke.com

TYPICAL CONCRETE FOOTINGS

Burke specifies concrete in-ground footings, surface mount, and surface mount pier footings to provide the foundation for the playground structure. The details provided on this page recommend minimum footing requirements. This page is what you will reference when installation prints require you to see a typical footing detail. **The following details are to be used on all Burke products unless specific dimensions are given on a particular component installation sheet.**

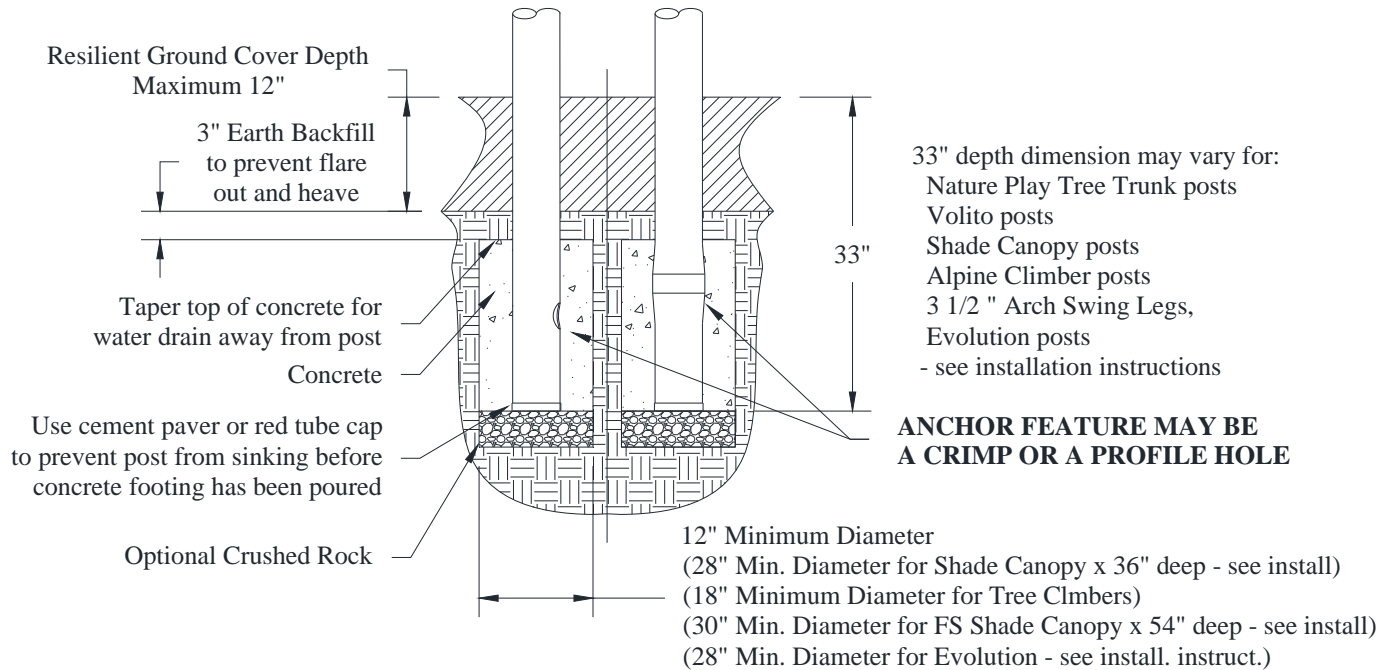


Figure 2: Support Post Footing Detail

Support Post Footing Detail is used for the following:

- 5" OD TUBING
- 3 1/2" OD TUBING
- ALL SQUARE TUBING
- See Installation Instructions to determine depth of posts for SHADEPLAY CANOPIES and EVOLUTION tower structures.

Special Considerations:

1. Consult your local building codes to assure proper depth of footings. The required diameter and depth of the concrete can vary depending on soil conditions and temperature extremes.
2. In cold weather climates the concrete should be deep enough to reach below the frost line, especially the main support posts.
3. In sandy or loose soil conditions the diameter of the footing should be doubled to provide a stable support structure.
4. Use masonry bricks, gravel, or shims at the bottom of the footing holes in order to block up and plumb the posts and the platforms to the correct level.

BCI Burke Company, LLC

660 Van Dyne Road • P.O. Box 549 • Fond du Lac, WI 54936-0549 • (920) 921-9220 • 1-800-356-2070 • Fax (920) 921-9566

www.bciburke.com

TYPICAL CONCRETE FOOTINGS

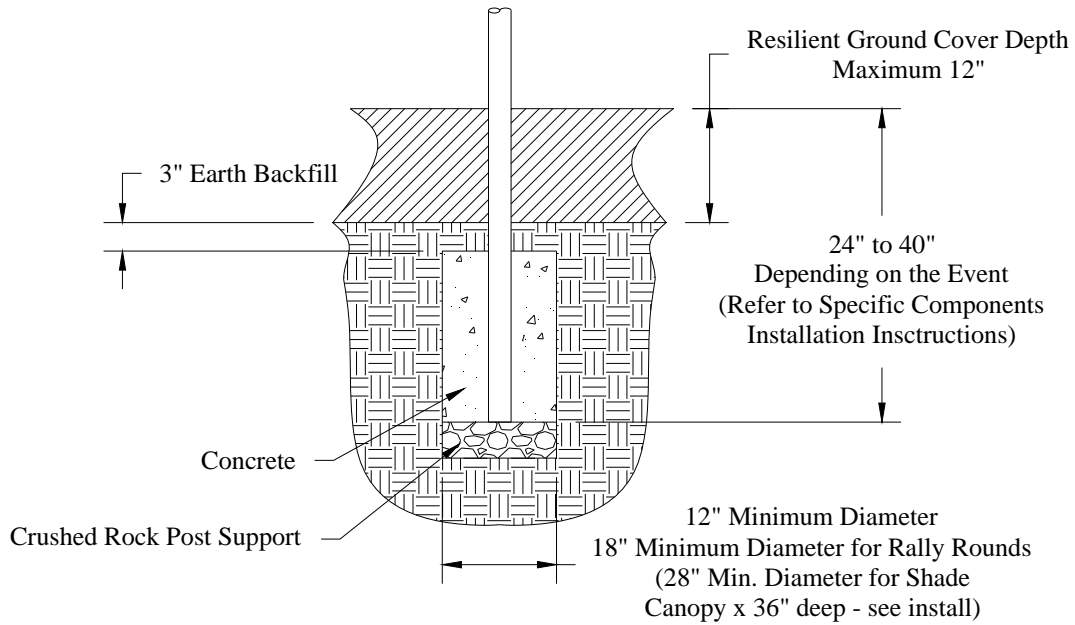


Figure 3: Play Event Footing Detail

The Play Event Footing Detail is used for the following:

- All tubing 2 3/8" OD and smaller
- All Playground Structure Play events
- 12' x 12' and 15' x 15' ShadePlay Canopy Posts (36" MIN DEPTH)
- 15' x 19' and HEX ShadePlay Canopy Posts (36" MIN DEPTH)

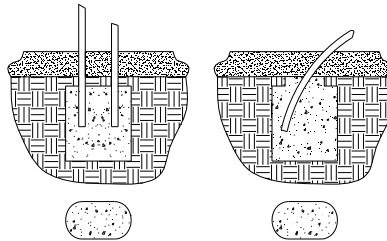


Figure 4: Optional Play Event Footing

Some play events have 2 supports close together or a single support that enters the ground at an angle. A trench like hole can be excavated to cover both situations as shown above. The starting size of the trench should adhere to the dimensions listed on the play event footing detail.

Special Considerations:

1. Consult your local building codes to assure proper depth of footings. The required diameter and depth of the concrete can vary depending on soil conditions and temperature extremes.
2. In cold weather climates the concrete should be deep enough to reach below the frost line, especially the main support posts.
3. In sandy or loose soil conditions the diameter of the footing should be doubled to provide a stable support structure.

BCI Burke Company, LLC

660 Van Dyne Road • P.O. Box 549 • Fond du Lac, WI 54936-0549 • (920) 921-9220 • 1-800-356-2070 • Fax (920) 921-9566

www.bciBurke.com

TYPICAL CONCRETE FOOTINGS

When installing a surface mounted structure or event as seen in Figure 5, there may be multiple mounting plate styles depending on the type of supports involved. A hole is to be drilled and an anchor installed for each hole or slot in all mounting plates. Surface mounted events and structures are to be installed to concrete surfaces only. Concrete is to be a minimum of 4 inches in thickness and have a minimum strength rating of 3000psi for structures without shade canopies; 4000psi with shade canopies.

Burke recommends 1/2" diameter anchors, with the length based on the thickness of the concrete slab, the type of anchors and the recommendation of the anchor manufacturer. The pullout strength of each anchor should be a minimum of 2600 pounds. If there is a shade canopy on the structure, surface mounting must be approved by the factory first, and anchors used must be an epoxy based anchor with a minimum pullout strength of 4000 pounds.

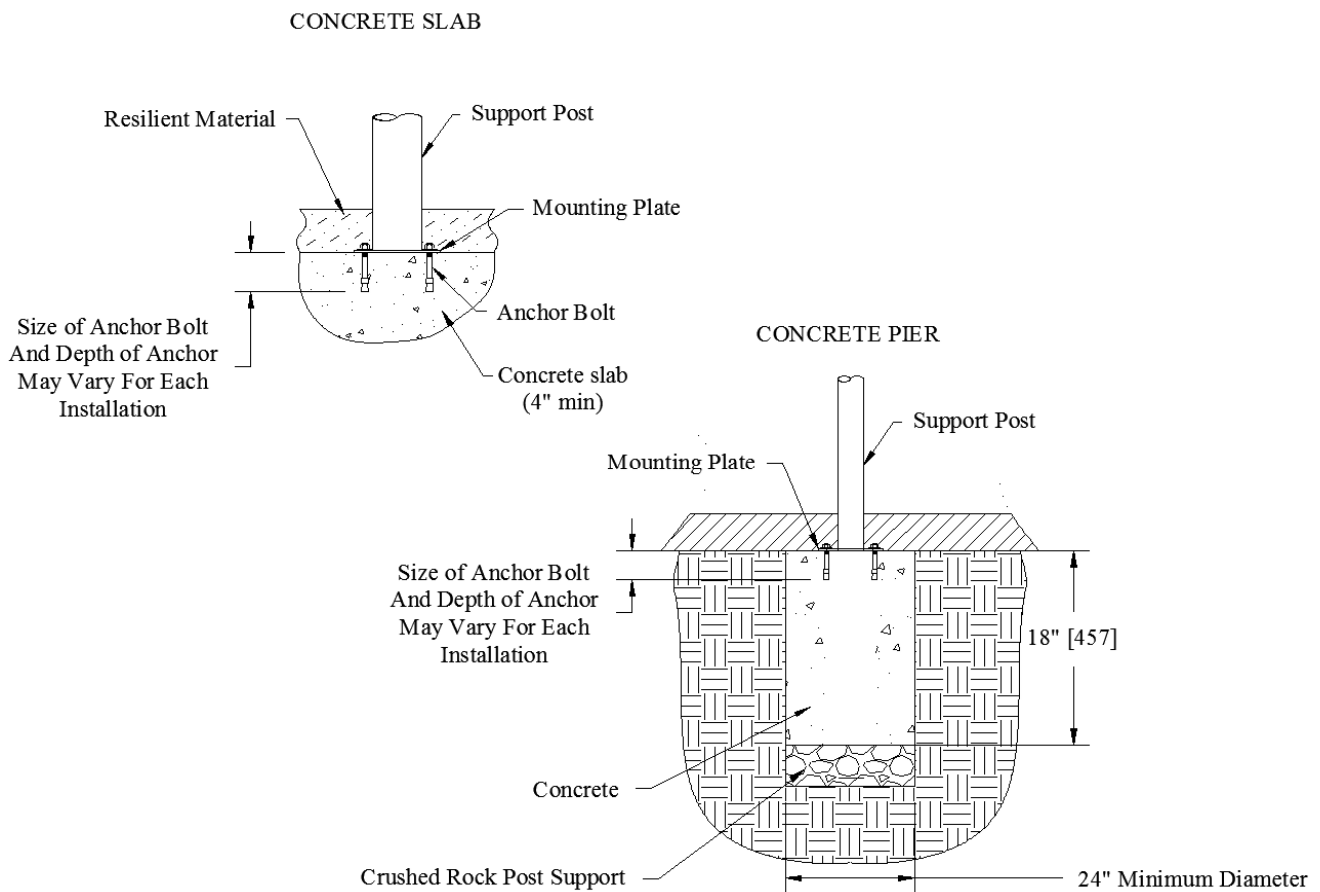


Figure 5: Surface Mount Detail

Special Considerations:

1. Consult your local building codes to ensure the use of the proper anchor bolt size.
2. Concrete must have the proper amount of curing time to ensure that anchors have maximum holding power.
3. Existing concrete is to be free of cracks and heaving in areas where anchor bolts are to be installed.

BCI Burke Company, LLC

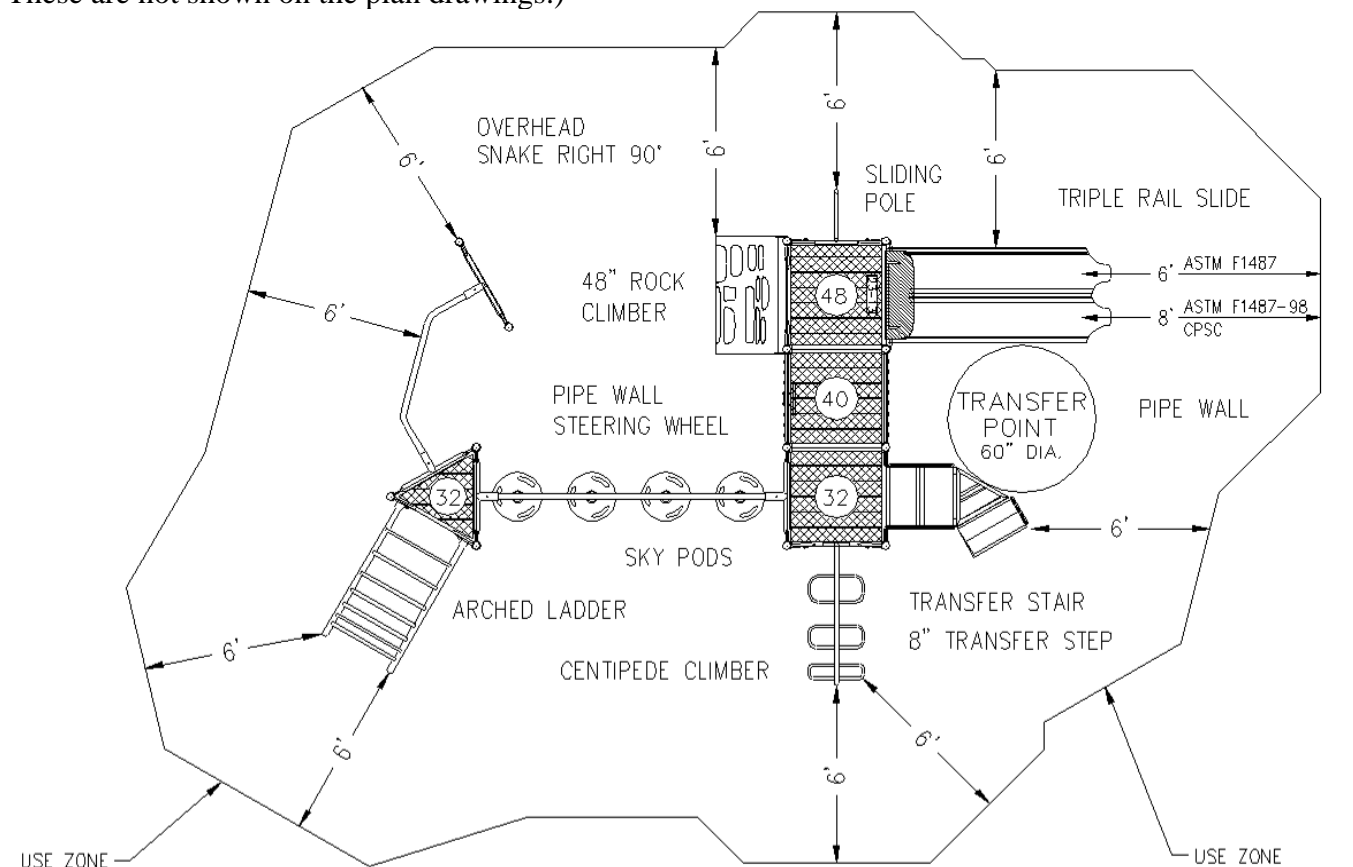
660 Van Dyne Road • P.O. Box 549 • Fond du Lac, WI 54936-0549 • (920) 921-9220 • 1-800-356-2070 • Fax (920) 921-9566

www.bciburke.com

RESILIENT SURFACING MATERIAL

As the owner of a playground, you are responsible for understanding the recommendations for surfacing and providing and maintaining an appropriate impact attenuating surface material under and around all playground equipment.

Since the majority of playground injuries result from falls, use only a soft, resilient surface under and around play equipment. Never place play equipment on hard surfaces, such as concrete or asphalt. Grass surfaces are not recommended; compacted earth will not cushion falls. Shock-absorbing surfaces should meet the U.S. Consumer Product Safety Commission (CPSC) recommendations as detailed in *A Handbook for Public Playground Safety*. (Revision dated 1997, Publication No. 325, pages 3 through 6 and Appendix C pages 38 through 40), ASTM F1292: Specification for Impact Attenuation of Surface Systems Under and Around Playground Equipment and ASTM F1487: Standard Consumer Safety Performance Specifications for Playground Equipment for Public Use. For installations in Canada, shock-absorbing surfaces should also meet the requirements of CAN/CSA Z614 Clause 10. Use the soft, resilient surface in the use zone or protective surfacing zone, which we have identified on the Site Plan Drawing. (Sample in Figure 6 below.) There are also additional space requirements called no-encroachment zones around moving equipment and slides, as required in CAN/CSA Z614. (Typically extending an additional 1.8 m beyond the protective surfacing zone. These are not shown on the plan drawings.)



BCI Burke Company, LLC

660 Van Dyne Road • P.O. Box 549 • Fond du Lac, WI 54936-0549 • (920) 921-9220 • 1-800-356-2070 • Fax (920) 921-9566

www.bciburke.com

**Figure 6: Sample Site Plan Drawing
RESILIENT SURFACING MATERIAL**

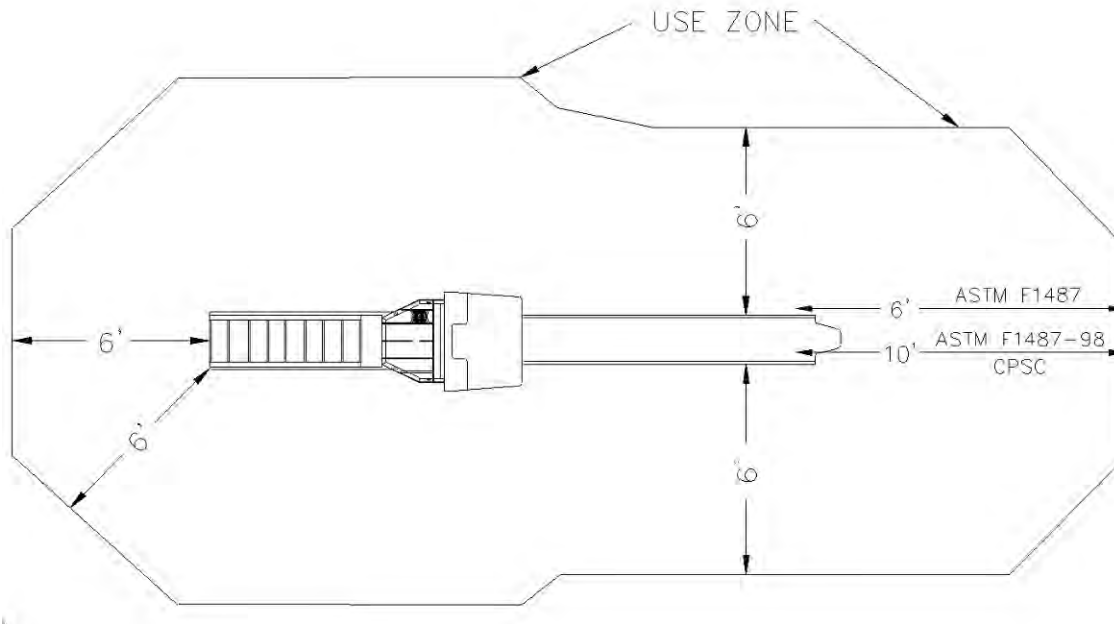


Figure 7: Use Zone for Slides

The selection of the resilient surface should be based on the fall potential from the highest platforms as well as the height of the average user. For stationary components and slides it should extend a minimum of 6 feet in all directions as shown in Figure 7.

To the front and to the rear of to-fro swings, the use zone should extend a “minimum distance of 2X on a line extending 90° both front and rear from the longitudinal direction of the suspending beam, where X equals the vertical distance from the top of the protective surfacing to the pivot point of the swing” and the use zone for a rotating tire swing “shall be a minimum horizontal distance of $Y + 72$ in. (1830 mm) in all directions from pivot point of the swing, where Y equals the vertical distance between the pivot point and the top of the swing seat or suspended member.” (ASTM F 1487 Pg. 13-14. A minimum horizontal distance of 2Y is required in Canada for rotating tire swings). See Figure 8 (Located on Page 12).

In addition to the use zone required in ASTM and CPSC, a no-encroachment zone may also be provided. This is an area in which the children run and play around the equipment. To prevent traffic conflicts, the no-encroachment zone should be free of any other equipment, trees, fencing, curbing, or other hazardous objects and should extend beyond the soft resilient surfacing a minimum of 6 feet. (No-encroachment zones for to-fro and tire swings are required in Canada).

BCI Burke Company, LLC

660 Van Dyne Road • P.O. Box 549 • Fond du Lac, WI 54936-0549 • (920) 921-9220 • 1-800-356-2070 • Fax (920) 921-9566

www.bciburke.com

RESILIENT SURFACING MATERIAL

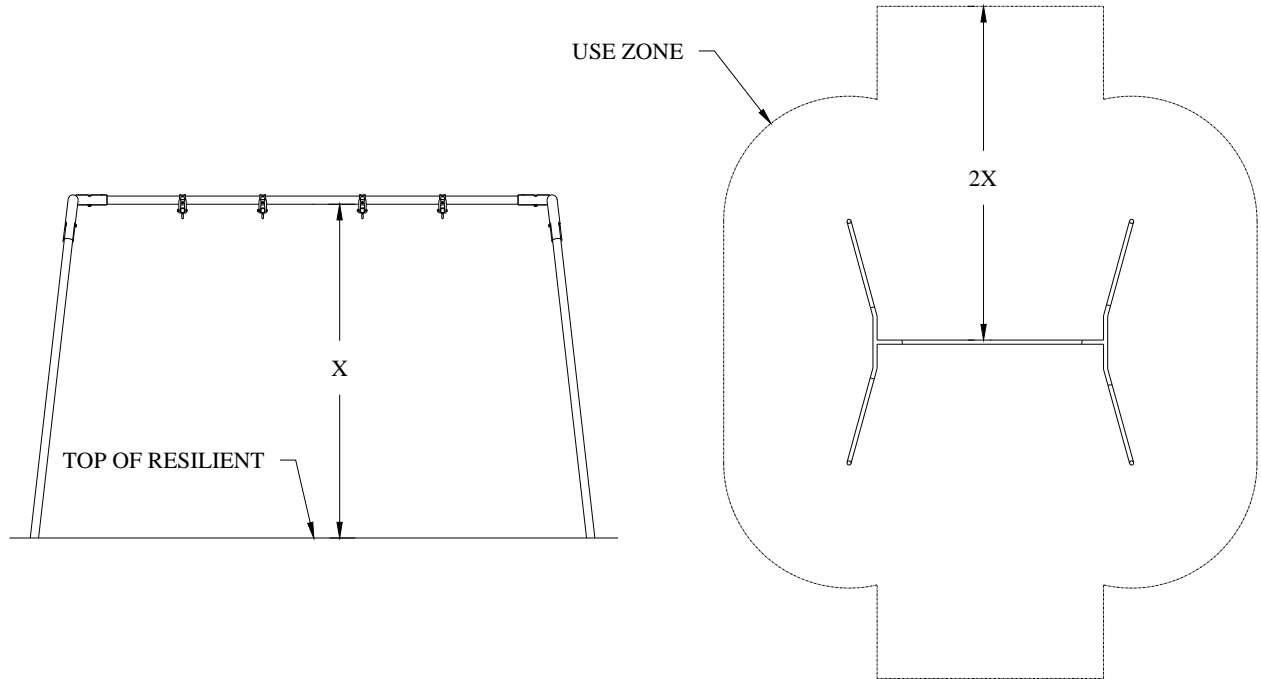


Figure 8: Use Zones for To-Fro Swings

An impact attenuating surfacing material is required under and around all equipment. The Playground Surfacing Technical Information Guide published by the U. S. Consumer Product Safety Commission contains the results of tests performed to determine the relative shock-absorbing properties of seven loose-fill materials commonly used resilient surfacing. The report contains a table of Critical Heights, the height below which a life-threatening head injury would not be expected to occur, for each of the loose-fill surface materials tested. This information is available through the Consumer Product Safety Commission and is shown below in Table 1.

Table 1: CPSC Critical Fall Heights (taken from pub. 325, page 10)

Type of Loose-Fill Material	Compressed Depth of Loose-fill material	Protects to fall height of:
Wood Chips	9 inches	10 ft.
Wood Mulch (non-CCA)	9 inches	7 ft.
Shredded/recycled rubber	9 inches	10 ft.
Pea Gravel	9 inches	5 ft.
Sand	9 inches	4 ft.

Manufactured surfaces, such as rubber matting materials, may also be suitable for use under and around playground equipment. Manufacturers of these surface materials should be contacted for specific information on the shock-absorbing performance and cost of their individual products.

BCI Burke Company, LLC

660 Van Dyne Road • P.O. Box 549 • Fond du Lac, WI 54936-0549 • (920) 921-9220 • 1-800-356-2070 • Fax (920) 921-9566

www.bciburke.com

ASTM REQUIREMENTS FOR FASTENING DEVICES

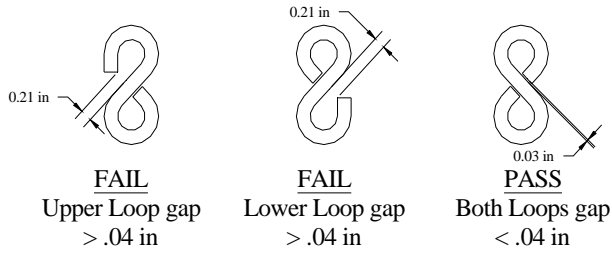


Figure 9: Check loops for .04" gap

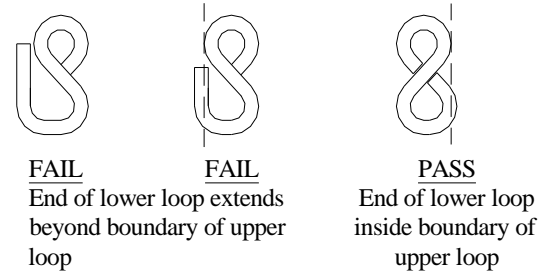


Figure 10: Check lower loop projection



Figure 11: Check upper loop projection

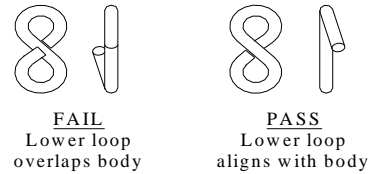


Figure 12: Check lower loop alignment

UPRIGHT POST NAMING SCHEME

0: STEEL IN GROUND
 5: ALUMINUM IN GROUND
 8 STEEL SM
 9 ALUMINUM SM

XX: LENGTH X: MULTIPLES

072 - 0301 - 72 S3

*072 IS NEW
 PREFIX FOR
 ALL POSTS

3XX: 3 1/2" OD
 5XX: 5" OD

S: SWAGED
 C: CAPPED
 R: ROOF
 B: STUBBY- TOP STACK
 T: TOP - ALUM ONLY

Figure 13: Upright Post Naming Scheme

BCI Burke Company, LLC

660 Van Dyne Road • P.O. Box 549 • Fond du Lac, WI 54936-0549 • (920) 921-9220 • 1-800-356-2070 • Fax (920) 921-9566

www.bciburke.com

WARNING AND MANUFACTURER LABELS

The following is the Owner's responsibility. Please read it carefully.

Labels, as required by ASTM F 1487, CAN/CSA Z614, CPSIA and California law, have been included with this playground equipment and must be applied after installation is complete.

Instructions

- Choose highly visible label locations at a height of 4' to 5' above the resilient surfacing material. See Figure 13.
- The preferable location would be out of direct sunlight.
- Posts are the best location for labels. Do not place on PVC coated items or areas of high wear.
- Surface must be clean and dry prior to applying labels.
- Replacement labels are available upon request should a label become destroyed, mutilated or vandalized. Contact Burke Customer Service at 1-800-356-2070.

Age-appropriate Safety Labels with Manufacturer's Identification – You will receive labels with your equipment that designate the age appropriateness based on the specific components in your design. (Note: Three labels not shown here are those for 6-23 month olds, 4-5 year olds and 4-12 year olds. Age appropriateness is determined by ASTM requirements and CPSC recommendations.) Apply one label adjacent to or visible from the primary entrance to a structure and one label visible from another entrance on the opposite side of the structure. There should be a minimum of two labels on each play structure. Larger structures may have additional labels included. These labels should be placed near other entrances on opposite sides of the structure.



Equipment Identification Label and cover label - Place this label and clear protective cover label on all equipment, either directly below the Age-appropriate designation or as the top most label for equipment that does not have a specific age-appropriate label. See Figures 13, 14 and 15. This label provides the tracking label information required by CPSIA.



California Only

Warning Labels - Place one directly underneath each of the Age-appropriate Safety Labels and/or Manufacturer's Identification Label. If you have additional labels they should be placed near other entrances on opposite sides of the structure. **Warning Labels are a Requirement in the ASTM F1487 Standard** and they should serve as a constant reminder of the potential hazards associated with using the play equipment. **California Prop 65 Warning Label** – Required in California only.

BCI Burke Company, LLC

660 Van Dyne Road • P.O. Box 549 • Fond du Lac, WI 54936-0549 • (920) 921-9220 • 1-800-356-2070 • Fax (920) 921-9566

www.bciburke.com

WARNING AND MANUFACTURER LABELS

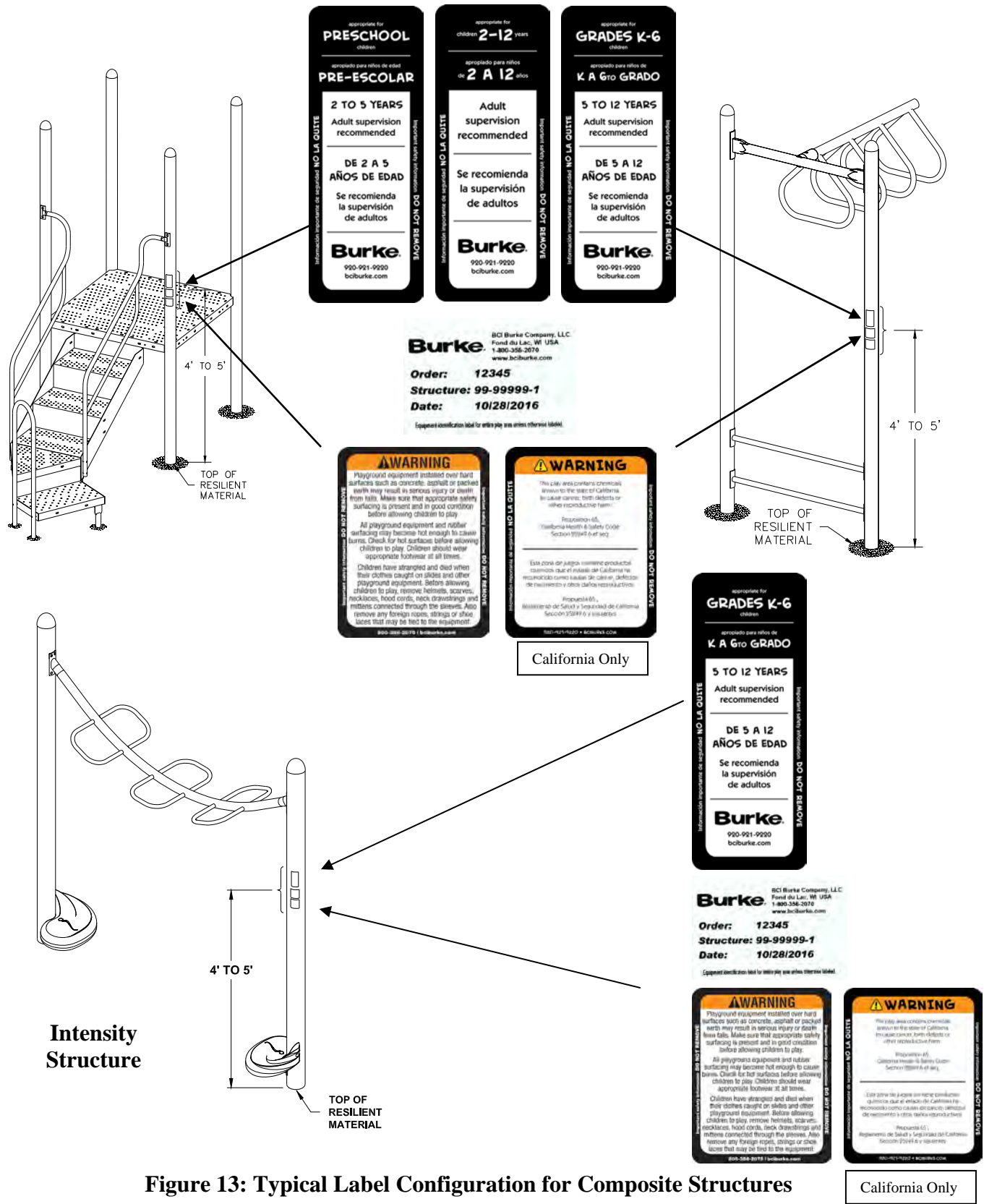


Figure 13: Typical Label Configuration for Composite Structures

California Only

BCI Burke Company, LLC
 660 Van Dyne Road • P.O. Box 549 • Fond du Lac, WI 54936-0549 • (920) 921-9220 • 1-800-356-2070 • Fax (920) 921-9566
www.bciburke.com

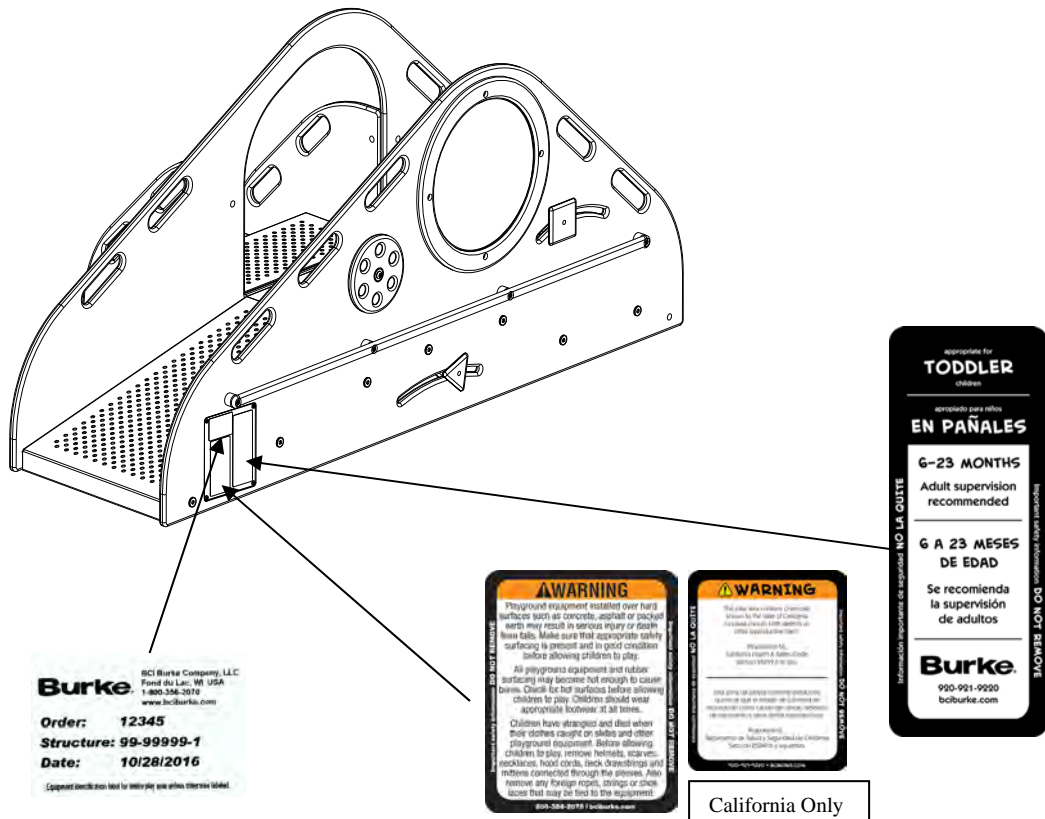


Figure 14: Typical Label Configuration for Composite Structures

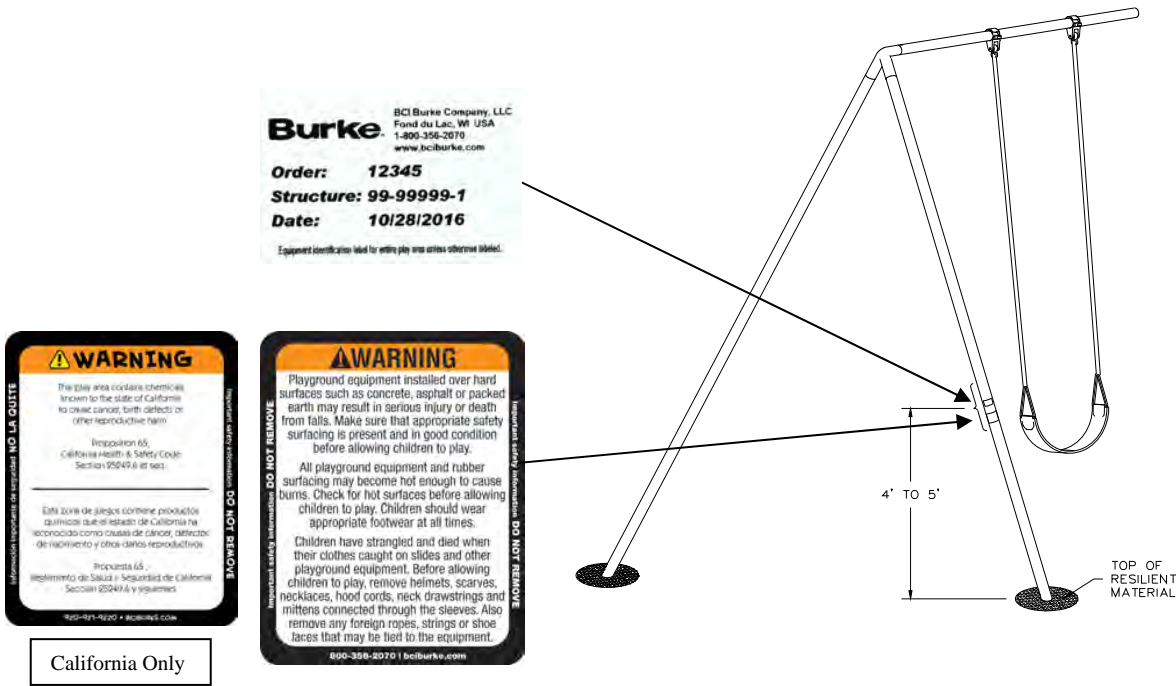


Figure 15: Typical Label Configuration for Non-Age Specific Equipment

BCI Burke Company, LLC
660 Van Dyne Road • P.O. Box 549 • Fond du Lac, WI 54936-0549 • (920) 921-9220 • 1-800-356-2070 • Fax (920) 921-9566
www.bciburke.com

INSPECTION CHECKLIST

- | | | | |
|---|---|---|--|
| <p>Review all Playground Installation Guidelines, particularly checking for specified dimensions. Make sure actual installation dimensions agree with the ones in the instructions.</p> | <input type="checkbox"/> | <p>Check height of all upper body equipment, such as horizontal ladders. The height of these components should agree with dimensions as specified in Playground Installation Guidelines when measured from top of the resilient surfacing material.</p> | |
| <input type="checkbox"/> | <p>Double check deck heights. The height of the deck or platform is measured from the top of the resilient surfacing material to the top of the platform.</p> | <input type="checkbox"/> | <p>Touch up any scratches or installation damage to powder coated finish with color-matched spray paint supplied with the equipment.</p> |
| <input type="checkbox"/> | <p>Clean dried concrete off support posts and any other affected components</p> | <input type="checkbox"/> | <p>Touch up any exposed metal on coated parts following the instructions in the Maintenance section.</p> |
| <input type="checkbox"/> | <p>Review entire structure to insure that there are no completely bounded openings greater than 3 1/2" and less than 9". Completely bounded openings are openings that are enclosed on all sides.</p> | <input type="checkbox"/> | <p>Check ropes of rope climbers for any installation damage such as cuts that may expose the steel reinforcement strands.</p> |
| <input type="checkbox"/> | <p>Insure all post ends have properly installed post caps. Insure the drive rivets are secure.</p> | <input type="checkbox"/> | <p>Insure proper use zone has been allowed for equipment. See Site Plan Drawing included in this manual to check dimensions of required zone.</p> |
| <input type="checkbox"/> | <p>Insure all fasteners are tightened according to specifications listed on your installation instructions.</p> | <input type="checkbox"/> | <p>Dispose of all packaging material properly. Recycle appropriate materials and keep items like plastic bags out of reach or contact of small children.</p> |
| <input type="checkbox"/> | <p>Insure all "S" hooks are completely closed. An "S" hook is considered closed when there is no gap or space greater than .04" when measured with a feeler gauge, or the thickness of a dime.</p> | <input type="checkbox"/> | <p>Insure all support post connections are permanently secured. Insure all drive rivets and/or spring pins have been installed. Review installation instructions for specific locations.</p> |

Inspected by: _____

Inspection Date: _____

BCI Burke Company, LLC
For questions, call us at:
1-800-356-2070

MAINTENANCE

Poorly Maintained playground equipment and surface areas can contribute to serious injury. Develop a comprehensive maintenance program, which should include staff training, use of inspection checklists, prompt repair of discovered problems and detailed documentation. To obtain more information, contact the U. S. Consumer Product Safety Commission (CPSC), Washington, D. C. 20207 (1-800-638-2772) and request "A Handbook for Public Playground Safety" Revised 1997.

INSPECTIONS:

It is critical to maintaining the long life of your equipment and preventing injuries, to establish a routine maintenance program.

Once your Burke equipment has been installed and your Final Inspection Check completed, we recommend a complete inspection within seven (7) days after installation and on a regularly scheduled basis thereafter. *Playgrounds with heavy use or in coastal areas should be inspected daily.*

As a guideline, please see the **Frequency of General Maintenance** and **General Maintenance Checklist**, which provide charts with recommended frequency for inspections as well as suggested inspection areas of your play equipment.

Surfacing:

If you have loose surfacing materials, such as sand or wood chips, check for specified depth throughout the playground. Add new material as required.

If your safety surfacing is poured-in-place or a matting or tile, check for wear or damage.

If your playground is installed in atmospheric conditions of high salt content, i.e. near the ocean, the chance for corrosion is much more likely. Therefore, frequent checks are highly recommended.

Instructions for Inspection Checklist:

1. Determine what is to be inspected and how frequently.
2. Establish a regular pattern of inspection.
3. File Inspection Report with your permanent records.
4. If a replacement part is needed, contact your local representative.
5. If repairs are needed, list action taken and date to be filed in your permanent records.

BCI Burke Company, LLC

660 Van Dyne Road • P.O. Box 549 • Fond du Lac, WI 54936-0549 • (920) 921-9220 • 1-800-356-2070 • Fax (920) 921-9566

www.bciburke.com

MAINTENANCE

(Check Material Safety Data Sheet before starting to ensure safety.)

PVC Coating Repair Instructions:

1. Segregate the area of the equipment (by yellow tape, fencing, etc.) from children, where the repair is located.
2. Clean the area in need of repair.
 - a. Remove any coating that is loose; trim coating with a knife if necessary.
 - b. If there is any rust, remove and clean thoroughly.
3. Once clean, take container of repair material and open the spout and squeeze out the material into the cleaned area in need of repair.
 - a. Do not open container of repair material until ready to use.
 - b. As soon as you finish using the container with repair material, close it tightly immediately so it does not dry out.
4. Take a putty knife or similar tool to spread the material evenly. It should be at the same level thickness as the original coating when complete.
5. Let dry for about 15 minutes and recheck. As the material dries, it shrinks - so you may need to add material repeating the same steps (3-4) mentioned above.
6. Once fully dry (1 full day to ensure proper cure), remove yellow tape, etc. that segregated the children from the area repaired. The children may be allowed to play again.

Touch-up Painting Instructions:

1. Segregate the area of the equipment (by yellow tape, fencing, etc.) from children, where the repair is located.
2. Clean area to be touched up by removing any loose paint or dirt particles and removing any rust with a light grit sand paper. Wipe area with clean cloth.
3. For best results, primer and touch up paint should be at room temperature. Avoid high heat and high humidity when applying the touch up paint. Shake can thoroughly to allow mixing ball to properly mix contents of the can.
4. **For structures in coastal areas:** Apply primer in *light* coats until area is covered. Allow primer to dry for 30 minutes (Primer is supplied with purchase of Burke Coastal Package).
5. **For structures in coastal areas:** Apply touch up paint in several light coats to cover the primed areas. Avoid drips and runs of the touch up paint for the best finish. Let dry for a minimum of 6 hours before use.

Graffiti Remover:

For proper use and best results of the Graffiti Remover that is supplied with each Burke Play Structure to remove unwanted marks or vandalism, please follow this procedure:

For Plastic, PVC coated, rubber or GFRC and rock holds:

1. Lightly spray the affected area and wipe off with a dry cloth/towel. For stubborn marks, spray affected area and let sit for 15 seconds and then wipe off and dry with a cloth/towel.

For Steel/Powder coated parts:

1. Spray a dry cloth/towel with the graffiti remover to get a small area of it wet. Wipe the area to be cleaned with that dampened cloth. Repeat if unwanted marks are still evident. Do not spray the Steel/Powder coated part directly or let the Graffiti Remover sit on the powder coated part for an extended period of time, as it could affect the finish/shine of the powder coat.

Do not spray Graffiti Remover on bearings or other areas that require or hold grease.

BCI Burke Company, LLC

660 Van Dyne Road • P.O. Box 549 • Fond du Lac, WI 54936-0549 • (920) 921-9220 • 1-800-356-2070 • Fax (920) 921-9566

www.bciburke.com

MAINTENANCE

ShadePlay Canopy Instructions

To clean shade canopy fabric use plain water to hose down the fabric and remove any debris. **DO NOT** use any type of detergent. Contact with organic solvents, halogens or highly acidic substances may reduce the service life of the fabric and void the warranty.

CAUTION: The ShadePlay canopy must be removed from the play structure before inclement weather, severe wind storms or winter (snow) weather to prevent damage to the shade fabric or play structure.

To remove and later re-install the ShadePlay canopy, the quick release fastening mechanism will facilitate easy removal and re-installation.

To remove the ShadePlay canopy:

1. Remove end cap from end of tensioning rafter. See Figure 16.
2. Remove lower 3/8" x 2" button head cap screw and 3/8" locknut at the pivot joint that secures the tensioning arm in the closed position. See Figure 16.
3. **DO NOT TRY TO REMOVE PIVOT PIN.** It is locked into position with a set-screw located on the top side of the rafter.
4. Carefully push up tensioning arm into the 'Open Position'. See Figure 17.

WARNING: BE EXTREMELY CAREFUL WHEN PIVOTING TENSIONING ARM INTO OPEN OR CLOSED POSITION. TENSIONING ARM COULD SPRING UP DUE TO THE TENSION BEING APPLIED BY CANOPY CABLE SYSTEM AND COULD RESULT IN INJURY. KEEP HANDS AND FINGERS OUT FROM BETWEEN CANOPY AND ARM AND OUT OF PIVOT JOINT AREA.

5. Unhook shade canopy fabric, cable end(s) and/or turnbuckle from hook.
6. Carefully pull down tensioning arm into 'Closed Position' and install removed hardware securing end cap and tensioning arm in closed position.
7. Repeat steps 1 thru 6 as necessary for all tensioning rafters.
8. Fold or roll up ShadePlay canopy and store in dry safe location until ready to re-install.

To re-install the ShadePlay canopy:

1. Remove end cap from end of all rafters.
2. Remove lower 3/8" x 2" button head cap screw and 3/8" locknut at all the pivot joints that secure the tensioning arms in the closed position. See Figure 16.
3. Look to make sure pivot pin is in the pivot joint of all tensioning arms. See Figure 17.
4. Lay ShadePlay canopy over rafters and orientate it so that each tensioning arm has a canopy corner. See Figure 18.
5. Attach canopy to all rafters, with tensioning arms in open position attach the canopy corner, cable end and turnbuckle end onto hook.
6. Continue to tighten canopy by carefully pulling tensioning arms down into 'Closed Position'. If canopy is too tight to pull arm down, loosen turnbuckle tension a small amount. See Figure 18.

BCI Burke Company, LLC

660 Van Dyne Road • P.O. Box 549 • Fond du Lac, WI 54936-0549 • (920) 921-9220 • 1-800-356-2070 • Fax (920) 921-9566

www.bciurke.com

WARNING: BE EXTREMELY CAREFUL WHEN PIVOTING TENSIONING ARM INTO OPEN OR CLOSED POSITION. TENSIONING ARM COULD SPRING UP DUE TO THE TENSION BEING APPLIED BY CANOPY CABLE SYSTEM AND COULD RESULT IN INJURY. KEEP HANDS AND FINGERS OUT FROM BETWEEN CANOPY AND ARM AND OUT OF PIVOT JOINT AREA.

7. After all tensioning arms are in 'Closed Position' look around canopy for major wrinkles in fabric. The majority of wrinkles can be removed by moving the tensioning arms back into the 'Open Position' and tightening each turnbuckle a small amount. Repeat this process, tightening the turnbuckles only a small amount each time until the major wrinkles are eliminated. Minor wrinkles will disappear with time in the environment and in the stretched state. Tighten all turnbuckles evenly to spread tension. See Figure 18.
8. When tightening canopy is complete, secure tensioning arms with 3/8" x 2" button head cap screws and 3/8" locknuts. Tighten all hardware on pivot joint. See Figure 16.
9. Install end caps to all rafter ends using 3/8" x 3/4" SS button head cap screw (without locking thread) and 3/8" SS flat washer. See Figure 16.

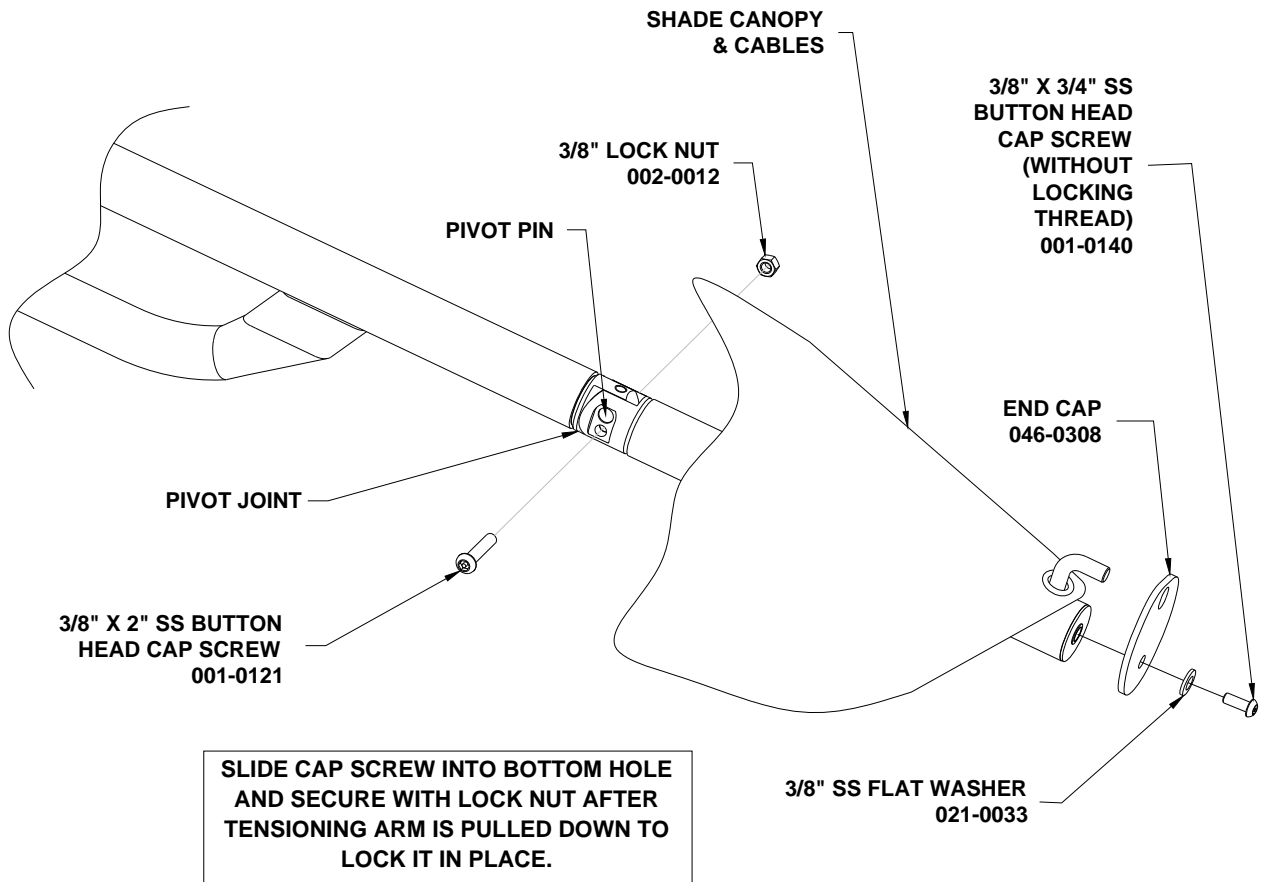


Figure 16: Tensioning Arm in 'Closed Position'

BCI Burke Company, LLC

660 Van Dyne Road • P.O. Box 549 • Fond du Lac, WI 54936-0549 • (920) 921-9220 • 1-800-356-2070 • Fax (920) 921-9566

www.bciburke.com

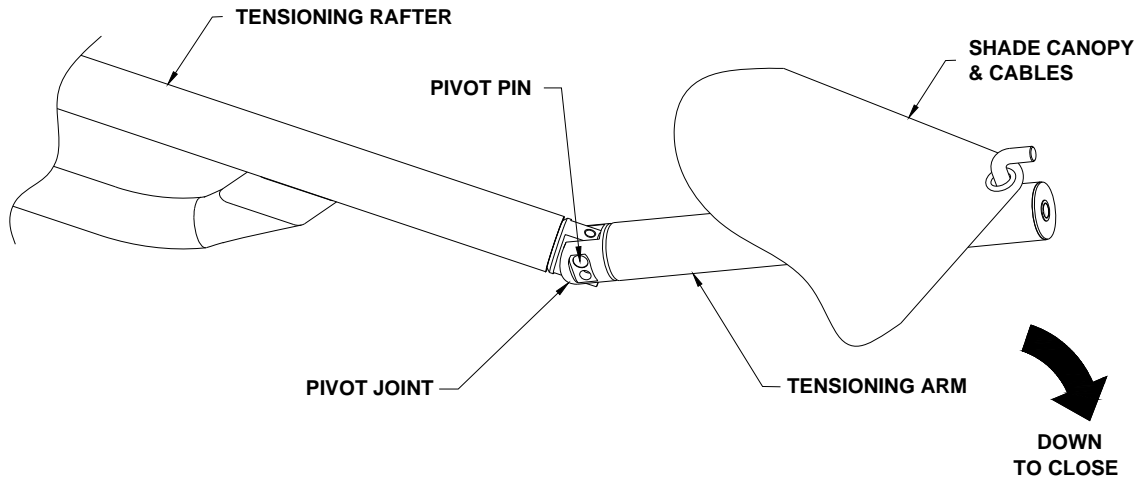


Figure 17: Tensioning Arm in 'Open Position'

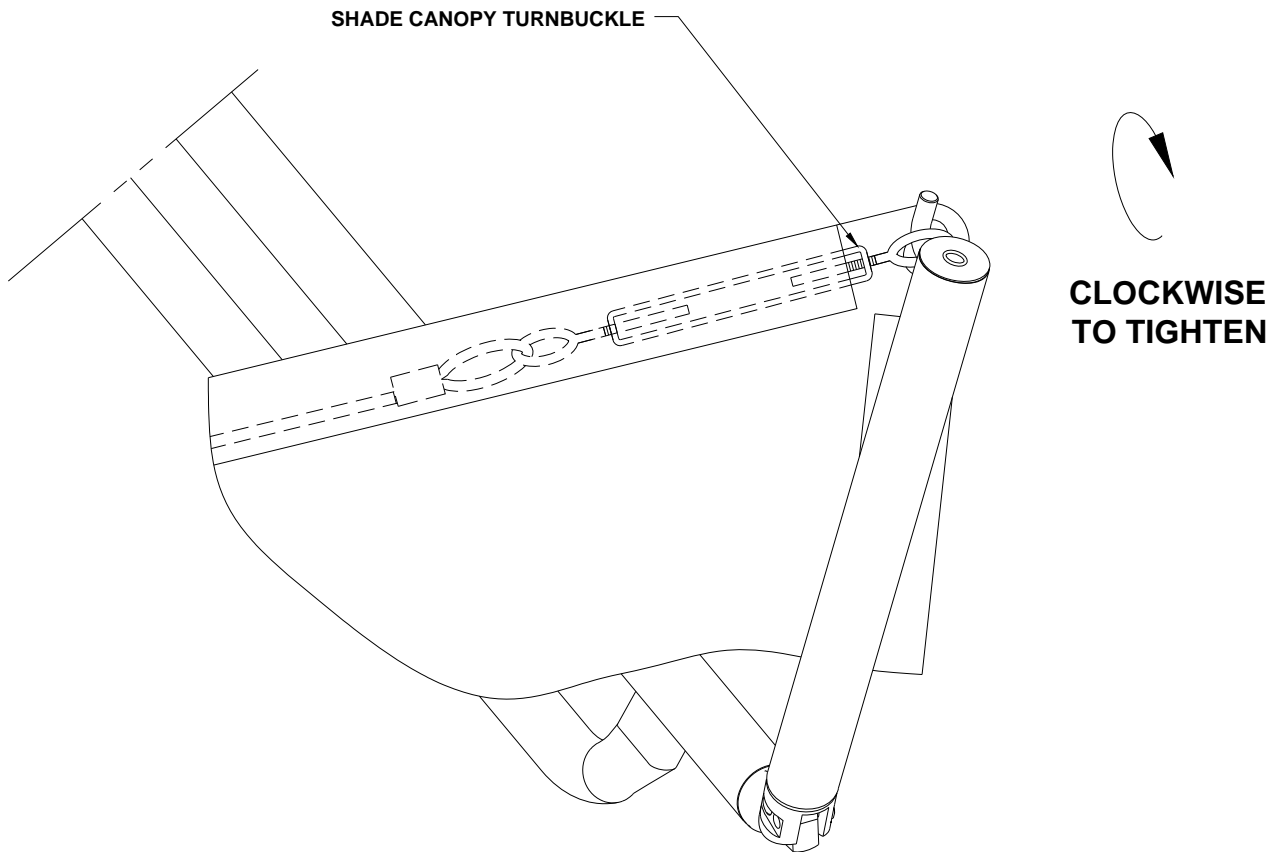


Figure 18: Tightening/Loosening Shade Canopy Turnbuckle

BCI Burke Company, LLC
 660 Van Dyne Road • P.O. Box 549 • Fond du Lac, WI 54936-0549 • (920) 921-9220 • 1-800-356-2070 • Fax (920) 921-9566
www.bciburke.com

MAINTENANCE

EZ Tension ShadePlay Canopy Instructions

To clean shade canopy fabric use plain water to hose down the fabric and remove any debris. **DO NOT** use any type of detergent. Contact with organic solvents, halogens or highly acidic substances may reduce the service life of the fabric and void the warranty.

CAUTION: The EZ Tension ShadePlay canopy must be removed from the play structure before inclement weather, severe wind storms or winter (snow) weather to prevent damage to the shade fabric or play structure.

To remove and later re-install the EZ Tension ShadePlay canopy, the quick release fastening mechanism will facilitate easy removal and re-installation.

To remove the ShadePlay canopy:

1. Remove end caps from end of all tensioning rafters. See Figure 19.
2. Locate tension arms with 15/16" bolt head located at the end. Using a 15/16 socket rotate bolt head counter-clockwise to slide the holding pin upwards releasing the tension of the canopy.

WARNING: DO NOT USE ANY POWER TOOLS TO ROTATE THIS BOLT.

3. Remove lower 3/8" x 2" button head cap screw and 3/8" locknut at the pivot joint that secures the tensioning arm in the closed position. See Figure 19.
4. **DO NOT TRY TO REMOVE PIVOT PIN.** It is locked into position with a set-screw located on the top side of the rafter.
5. Carefully push up tensioning arm into the 'Open Position'. See Figure 20.

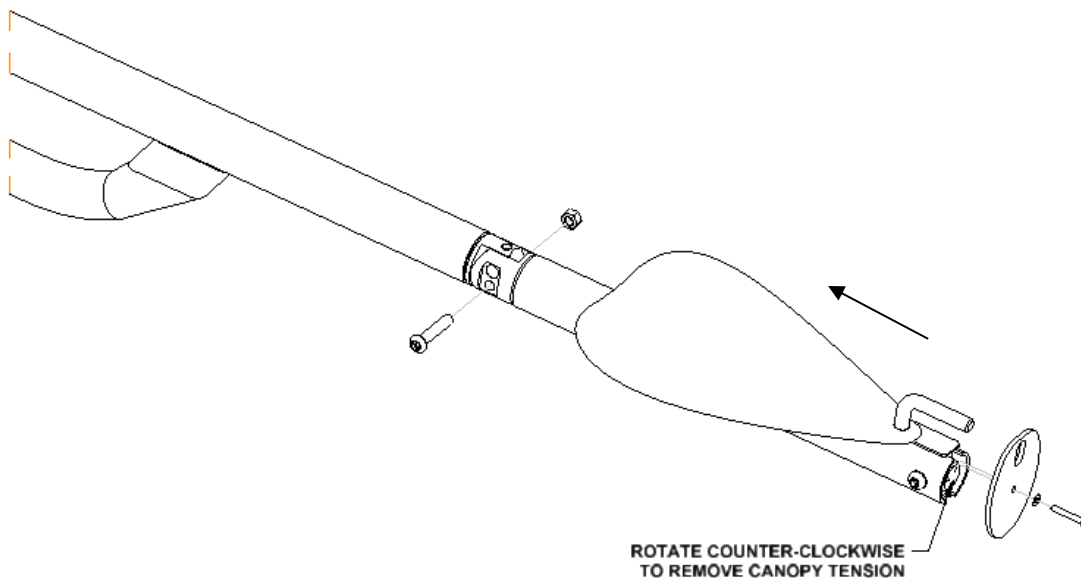


Figure 19: EZ Tension Arm in Closed Position

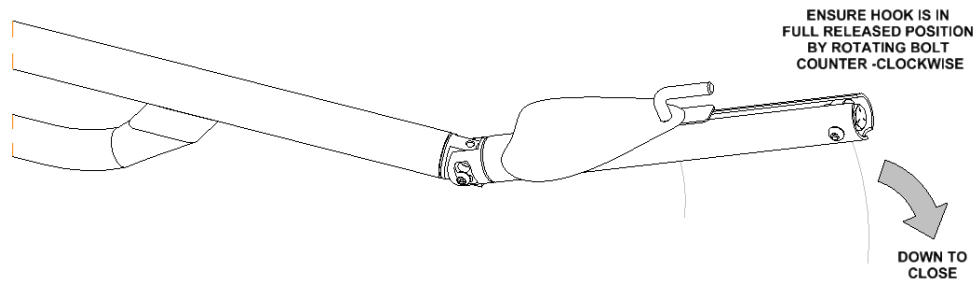


Figure 20: EZ Tension Arm in Open Position

WARNING: BE EXTREMELY CAREFUL WHEN PIVOTING TENSIONING ARM INTO OPEN OR CLOSED POSITION. TENSIONING ARM COULD SPRING UP DUE TO THE TENSION BEING APPLIED BY CANOPY CABLE SYSTEM AND COULD RESULT IN INJURY. KEEP HANDS AND FINGERS OUT FROM BETWEEN CANOPY AND ARM AND OUT OF PIVOT JOINT AREA.

6. Unhook shade canopy fabric, cable end(s) and/or turnbuckle from hook.
7. Carefully pull-down tensioning arm into 'Closed Position'
8. Rotate bolt clockwise to move the holding pin back to the end in the closed position.

WARNING: DO NOT USE ANY POWER TOOLS TO ROTATE THIS BOLT.

9. Install removed hardware securing end cap and tension arm in closed position.
10. Repeat steps 1 thru 6 as necessary for all tensioning rafters.
11. Fold or roll up EZ Tension ShadePlay canopy and store in dry safe location until ready to re-install.

To re-install the ShadePlay canopy:

1. Remove end caps from ends of all rafters.
2. With tension arms in open position, attach canopy corners to the hooks located at the end of the tensioning arms shown in Figure 20. Ensure the hooks are in the fully released position before attaching canopy by rotating the bolt counter-clockwise.
3. Begin tightening the shade canopy by pulling all of the tension arms into the closed position shown in Figure 19. When arms are in closed position, insert hardware to lock arms in place.
4. Using a 15/16" socket, turn the bolt head located in the end of the mechanisms until the hook holding the canopy is flush with the end of the tube. Clockwise rotation will apply tension to the canopy and counter-clockwise rotation will release the tension of the canopy.

WARNING: DO NOT USE ANY POWER TOOLS TO TURN BOLT THIS MUST BE DONE WITH A SOCKET WRENCH

5. Look around at the shade canopy for small wrinkles in the fabric. Wrinkles can be removed by removing the tension in the canopy by turning the bolt counter-clockwise and moving the tension arms back into the open position and tightening the turnbuckles a small amount (1/4 - 1/2 inch).
6. Install end caps to ends of rafters.

BCI Burke Company, LLC

660 Van Dyne Road • P.O. Box 549 • Fond du Lac, WI 54936-0549 • (920) 921-9220 • 1-800-356-2070 • Fax (920) 921-9566

www.bciburke.com

Sensory Panel Maintenance and Troubleshooting

Care and Maintenance

Please refer to the installation instructions for details on battery installation. Apart from replacing the batteries from time to time, the unit is virtually maintenance free and has no other user-serviceable parts. Any attempt to tamper with the unit in any way other than advised in this guide will void the unit warranty.

Cleaning

DO NOT use any chemicals or abrasive cleaners on the electronics control housing, sensors or speaker grill. Use a household hand pump water sprayer (the type you would water small household plants with) with a solution of water and a mild household detergent (the type you would use to clean your dishes) and gently spray the unit and wipe off with a soft damp cloth. DO NOT use a pressure washer or high powered hose to clean the unit.

Speaker Grill

Keep the speaker grill clean and clear of dirt and obstructions. The speaker itself is a marine grade external speaker and it will not get damaged by cleaning with water. DO NOT attempt to push anything through the speaker grill to clear any obstructions as this may damage the speaker membrane and/or reduce the water-resistance of the whole unit.

Troubleshooting Guide

Fault	Solution
Low or decreased volume	<ul style="list-style-type: none">• Ensure that the speaker grill is clear from obstruction. Volume is set at 75% during manufacture. If more volume is required, please seek advice from the manufacturer. Tampering with the electronic circuitry will void the warranty.
Not all the sensors are activating the sound replay	<ul style="list-style-type: none">• Check that the speaker and sensor connectors are securely seated.
Water or evidence of water inside the electronic housing	<ul style="list-style-type: none">• If water is found inside the housing please contact the manufacturer immediately.

BCI Burke Company, LLC

660 Van Dyne Road • P.O. Box 549 • Fond du Lac, WI 54936-0549 • (920) 921-9220 • 1-800-356-2070 • Fax (920) 921-9566

www.bciurke.com

Fault	Solution
No sound or intermittent sound with older batteries	<ul style="list-style-type: none"> • Check that batteries are firmly seated between the terminals in the battery holder and are in the correct orientation. Check that the speaker and sensor connectors are securely seated. • Make certain that the sound chip on the printed circuit board has not been dislodged. If you suspect that it is dislodged, see the instructions below. • Replace the batteries with high-quality alkaline batteries (i.e. Duracell Ultra or better).
No sound or intermittent sound with new batteries	<ul style="list-style-type: none"> • Allow at least five minutes for the batteries and unit to acclimatize to the environment. • Check that batteries are firmly seated between the terminals in the battery holder and are in the correct orientation. Check that the speaker and sensor connectors are securely seated. • Make certain that the sound chip on the printed circuit board has not been dislodged. If you suspect that it is dislodged, see the instructions below. • To eliminate the possibility of a faulty battery, replace the batteries with another set of high-quality alkaline batteries (i.e. Duracell Ultra or better). Again, allow at least five minutes for the batteries and unit to acclimatize to the environment.
The sound chip appears to be dislodged from its housing	<ul style="list-style-type: none"> • If ALL of the pins on the chip appear in or directly above the corresponding socket on the housing, a light and even pressure may be used to re-seat the chip. IMPORTANT – excessive or uneven pressure may cause the chip to be damaged. If in doubt, contact the manufacturer. • If the pins are not located in or directly above the corresponding housing socket, DO NOT attempt to use pressure to re-seat the chip. Contact the manufacturer for advice.
No sound or intermittent sound when all previous solutions have been exhausted	<ul style="list-style-type: none"> • The unit and its components have been designed to be easily swapped out by a skilled service technician. In the rare event of failure, please contact the manufacturer for assistance. Any attempt to tamper with the unit in any way other than advised in this guide will void the unit warranty.

BCI Burke Company, LLC

660 Van Dyne Road • P.O. Box 549 • Fond du Lac, WI 54936-0549 • (920) 921-9220 • 1-800-356-2070 • Fax (920) 921-9566

www.bciburke.com

MAINTENANCE

Climbing Rope Maintenance

- A routine check per the Maintenance Checklist is very important.
- Address any issues **early!**
- Monitor wear versus mis-use / vandalism.
- Avoid sand as a resilient material.



Addressing Frayed/Cut Ropes

- Simple flaming technique with a handheld propane torch – approved by rope manufacturer. Contact your Burke Representative for Details.
- Swift, sweeping motion with handheld torch so as not to burn or scorch the rope.
- Monitor wear of rope AFTER flaming is done.
- When metal strands are very evident, rope should be purchased / replaced.

BCI Burke Company, LLC

660 Van Dyne Road • P.O. Box 549 • Fond du Lac, WI 54936-0549 • (920) 921-9220 • 1-800-356-2070 • Fax (920) 921-9566

www.bciburke.com

MAINTENANCE

GFRC Maintenance

GFRC - Cleaning Methods

1. For smaller surface areas, a scrub brush and light cleaning detergent mixed with water is the best approach. A ZEP exterior siding cleaner can be heavily diluted and scrubbed on and off with the brush.
2. For larger areas, you can use a pressure washer. The pressure washer should be no greater than a 1500 PSI washer. Use a 25 to 40-degree wide nozzle to prevent surface damage of the topical paints on the theme finishes. Hold the nozzle a minimum of 2' away from the surface. Clean a small, hidden test area before starting the project to ensure the pressure washer will not damage the surface. Pressure washers generate very high pressure, so it's essential to take safety precautions and follow all the manufactures instructions when using them:
 - Use both hands when holding the spray nozzle.
 - Don't use pressure washers while standing on a ladder.
 - Wear protective eyewear at all times.
 - Never point the nozzle at anyone.
3. An alternative to using a pressure washer is to use a *home-washing kit* that attaches to the garden hose. The kits aren't as quick or as effective as pressure washers but are easier to use and are available at most local hardware stores.

GFRC - Cleaning

1. Cover or remove anything you don't want wet or washed from the area that is to be cleaned.
2. Check the theme finishes for trouble spots that are covered in mildew, mold or moss. To determine whether a trouble area is affected by mildew, apply a small amount of diluted household bleach to the area. If it clears up, the problem is mildew. Pressure washers usually don't remove mildew, so you'll need to clean those areas by hand. Scrub off the mildew using a solution of 9 parts water and 1 part bleach.
3. If using a power washer with a soap feed, you may use a mild solution of water and detergent, or you may also use a ZEP cleaner or alternative that is specifically for power washers, following the instructions for that specific cleaner.
4. If there is indication of efflorescence on the GFRC surface, this can be cleaned with a 10% muriatic acid solution.
5. Remember, always perform cleaning on test area and inspect for damage before proceeding.
6. Begin spraying the surface, holding the nozzle at a 45-degree angle. Work from the bottom up, and move across the surface from side to side at a steady pace, maintaining the 2' distance between the surface and the nozzle head.
7. Rinse with clean water from the top down to prevent streaks.

GFRC - Repairing

1. Minor scuff marks can be painted with the touch up repair kit provided. Multiple colors are provided in order to blend in with the original theme and markings.
2. If damage requires patching, a standard water plug kit for concrete repair can be purchased at any local hardware store. Follow the instructions for repair, making sure to create a similar surface texture of rock or tree bark in the concrete while it is still wet.
3. Once concrete patch is dry it can be painted with the touch up repair kit provided.

BCI Burke Company, LLC

660 Van Dyne Road • P.O. Box 549 • Fond du Lac, WI 54936-0549 • (920) 921-9220 • 1-800-356-2070 • Fax (920) 921-9566

www.bciburke.com

MAINTENANCE

ZipVenture Maintenance and Inspection

ZipVenture products should be inspected and maintained as specified for all playground equipment. The following are additional maintenance and inspection procedures specific to the ZipVenture products.

Tools Required:

1. 8-ft step ladder
2. Ratchet wrench with Burke security bits
3. 9/16" & 3/4" sockets for ratchet wrench
4. Torque wrench
5. 50-lb weight with means of attaching to trolley seat (Burke recommends a sand bag and nylon webbing strap)

Maintenance and Inspection Points:

1. Visually inspect entire structure for:
 - a. Loose, frayed, or tangled wires from wire rope
 - b. Broken springs at either end of cable
 - c. Loose spring brake parts (springs should be affixed to the cable at one end and not able to slide away)
 - d. Screws missing from spring brake parts
2. Move trolley to 20 feet from arrival (low) end of ride. Measure from the loop at the end of the wire rope. Holding seat level, measure distance from top of resilient material to bottom of seat. This should be in the range of 13 to 15 inches. If not, the tension in the wire rope will need to be adjusted. Make sure resilient material is maintained to the proper level and is consistent each time you are measuring.
3. Attach 50-lb weight to seat of trolley. With the trolley in the same 20 feet from arrival end position, and holding seat level, measure distance from top of resilient material to bottom of seat. This should be in the range of 11 to 13 inches. If not, the tension in the wire rope will need to be adjusted. Make sure the resilient material is maintained to the proper level and is consistent each time you are measuring.
4. Check tightness of fasteners. Wire rope clips should be tightened to 45 ft-lb torque.
5. Use ladder to inspect wire rope at center, both ends and also under the springs. As you inspect the wire rope, note that a strand is a group of wires twisted together, and multiple strands are then twisted around a central core to form the wire rope or cable. You should inspect the individual wires and the strands for any broken wires or excessive wear. If there are any broken wires, strands out of place or excessive wear, the cable should be replaced.
6. At the ends of the cable, there is a thimble inside the loop for reinforcement. If the thimble or the swaged fitting at the launch end of the cable is cracked, split, or broken, that piece or the entire cable (in the case of the swaged end) shall be replaced.
7. Using the ladder, remove the outer covers from the trolley. Remove the nuts from the bolts that hold the trolley case together and remove one side of the case. Roll the trolley back and forth a few inches on the rope and observe the pulleys. If a pulley does any of the following, replace both pulleys:
 - a. Fails to roll and slides along the rope,
 - b. Has its inner race rotate with the outer part of the pulley,

BCI Burke Company, LLC

660 Van Dyne Road • P.O. Box 549 • Fond du Lac, WI 54936-0549 • (920) 921-9220 • 1-800-356-2070 • Fax (920) 921-9566

www.bciburke.com

- c. Makes a clicking noise, or
 - d. Wobbles (make sure it is the pulley, not the mounting bolt moving)
8. Inspect the sliders which cover the holes where the rope enters and exits the trolley. If they are broken or worn to less than 3/32" (.094) thick at any point then replace all of the sliders.
 9. Inspect the pendulum and bronze bearing attached to the trolley which support the seat chain. If the bronze bearing is excessively worn (oblong hole, split or cracked) or missing then replace the bearing.
 10. Reassemble trolley and replace the covers. Make sure to apply Loctite when reattaching the hardware.
 11. Check the link at the launch end and the turnbuckle at the arrival end. Both should move freely up and down, left and right. If not then the spherical bearings should be replaced.
 12. Check the spring assemblies at both ends. Look for broken or bent springs, damage to the plastic parts that secure the springs, missing set screws, and wear of the rubber bumpers. Replace any parts that need it.

Note: All bearings are lubricated for life. If a bearing is worn out then it must be replaced.

BCI Burke Company, LLC

660 Van Dyne Road • P.O. Box 549 • Fond du Lac, WI 54936-0549 • (920) 921-9220 • 1-800-356-2070 • Fax (920) 921-9566

www.bciburke.com

MAINTENANCE

Frequency of General Maintenance

How Often	Check	Swings	Slides	Climbers	Structures	Animals	Whirls
Daily	Open S Hooks	X		X	X		
Daily	Broken Anchor Bolts	X	X	X	X	X	X
Daily	Worn Chains	X		X	X		
Daily	Broken Guardrails/Handrails	X	X	X	X	X	X
Daily	Sharp Edges	X	X	X	X	X	X
Daily	Loose or Missing Nuts/Bolts	X	X	X	X	X	X
Daily	Sharp Points/Protrusions	X	X	X	X	X	X
Daily	Unplugged Holes in Pipe	X	X	X	X	X	X
Daily/Weekly	Broken Welds	X	X	X	X	X	X
Daily/Weekly	Inadequate Surfacing	X	X	X	X	X	X
Daily/Weekly	Ropes for cuts or fraying with exposed steel reinforcement strands			X	X		
Daily/Weekly	Vandalized or Cracked PVC Coating	X		X	X		
Weekly	Worn Pinions/Clevises	X		X	X		
Weekly	Exposed Footings	X	X	X	X	X	X
Weekly	Worn Bearings	X			X		X
Weekly	Rust of Metal	X	X	X	X	X	X
Weekly	Corrosion of Aluminum	X	X	X	X	X	X
Monthly	Add grease lubrication to wheel bearings	X			X		X
Monthly	Play Mat (integrity and adhesion to surface if applicable)	X	X	X	X	X	X
Spring/Fall	Pinch Points	X	X	X	X	X	X
Inclement Weather (High winds, Snow)	Remove Shade Canopy/ARA Shade				X		

BCI Burke Company, LLC

660 Van Dyne Road • P.O. Box 549 • Fond du Lac, WI 54936-0549 • (920) 921-9220 • 1-800-356-2070 • Fax (920) 921-9566

www.bciburke.com

MAINTENANCE

General Maintenance Checklist

Date																			
Visible cracks, bending, warping																			
Accessible sharp edges or points *																			
Rusted metal surfaces																			
Rusting of metal and corrosion on aluminum																			
Deformation of open hooks, rings, links, * etc.																			
Worn swing hangers and chain																			
Missing or damaged swing seats																			
Heavy swing seats with sharp corners or * edges																			
Broken supports/anchors																			
Jagged, exposed or cracked and loose concrete footing																			
Inadequate surfacing material under * equipment																			
Exposed ends of pipe. Missing caps or * plugs																			
Protruding bolt ends *																			
Chipped or peeling paint																			
Cuts or fraying in rope with exposed steel reinforcement strands																			
Vandalism, broken glass, trash, etc.																			
Broken or missing rails, steps, rungs, seats																			
Loose or missing hardware																			
Crush or Shear points *																			
Moving components, etc.																			
Lack of lubrication on moving parts																			
Worn bearings																			
Poor drainage areas at footings, slide exits, etc																			
Vandalized or cracked PVC coating																			

*for further definition, reference ASTM F1487

Directions:

1. Start by reading instructions
2. Write in date of inspection
3. Check each item of inspection as it applies to your equipment
4. Make copy and file with your permanent records

BCI Burke Company, LLC

660 Van Dyne Road • P.O. Box 549 • Fond du Lac, WI 54936-0549 • (920) 921-9220 • 1-800-356-2070 • Fax (920) 921-9566

www.bciburke.com

SUGGESTED PUBLIC PLAYGROUND LEADERS CHECKLIST

- Prepare written guidelines for playground operation, defining goals and procedures.
- Provide for constant supervision by establishing a written schedule.
- Conduct daily cleaning and check for broken glass and other litter.
- Do not permit children to use wet or damaged equipment.
- Constantly observe play patterns to note possible hazards and suggest appropriate equipment or usage changes.
- Prepare written accident reports with special attention to surface conditions, type and extent of injury, age and sex of child, how the accident occurred, and weather conditions.
- Insist on first aid and accident training for playground leaders.
- Instruct children and playground supervisors on how to use equipment. (Playground equipment safety should be taught in the classroom.)
- Do not permit too many children on the same piece of equipment at the same time; suggest that children take turns, or direct their attention toward other equipment or activities.
- Make periodic checkups and request that worn or damaged pieces of equipment be replaced.

BCI Burke Company, LLC

For questions, call us at:

1-800-356-2070

BCI Burke Company, LLC

660 Van Dyne Road • P.O. Box 549 • Fond du Lac, WI 54936-0549 • (920) 921-9220 • 1-800-356-2070 • Fax (920) 921-9566

www.bciburke.com

BCI Burke Generations Warranty®

The Longest and Strongest warranty in the industry

BCI Burke Company, LLC (“Burke”) warrants that all standard products are warranted to be free from defects in materials and workmanship, under normal use and service, for a period of one (1) year from the date of invoice.

We stand behind our products.

In addition, the following products are warranted, under normal use and service from the date of invoice as follows:

- **One Hundred (100) Year Limited Warranty** on aluminum and steel upright posts (including Intensity®, Voltage®, Nucleus® and Little Buddies®) against structural failure due to corrosion, deterioration or workmanship.
- **One Hundred (100) Year Limited Warranty** on KoreKonnnect® clamps against structural failure due to corrosion, deterioration or workmanship.
- **One Hundred (100) Year Limited Warranty** on Hardware (nuts, bolts, washers).
- **One Hundred (100) Year Limited Warranty** on bolt-through fastening and clamp systems (Voltage®, Intensity®, Nucleus® and Little Buddies®).
- **Twenty-Five (25) Year Limited Warranty** on spring assemblies and aluminum cast animals.
- **Fifteen (15) Year Limited Warranty** on main structure platforms and decks, metal roofs, table tops, bench tops, railings, loops and rungs.
- **Fifteen (15) Year Limited Warranty** on all plastic components including StoneBorders against structural failure due to materials or workmanship.
- **Ten (10) Year Limited Warranty** on ShadePlay Canopies fabric, threads, and cables against degradation, cracking or material breakdown resulting from ultra-violet exposure, natural deterioration or manufacturing defects. This warranty is limited to the design loads as stated in the specifications.
- **Ten (10) Year Limited Warranty** on NaturePlay® Boulders and GFRC products against structural failure due to natural deterioration or workmanship. Natural wear, which may occur with any concrete product with age, is excluded from this warranty.
- **Ten (10) Year Limited Warranty** on Full Color Custom Signage against manufacturing defects that cause delamination or degradation of the sign. Full Color Custom Signs also carry a two (2) year warranty against premature fading of the print and graphics on the signs.
- **Five (5) Year Limited Warranty** on Intensity® and RopeVenture™ cables against premature wear due to natural deterioration or manufacturing defects. Determination of premature wear will be at the manufacturer’s discretion.
- **Five (5) Year Limited Warranty** on swing seats and hangers; Kid Koaster® Trolleys and other moving parts against structural failure due to materials or workmanship.
- **Three (3) Year Limited Warranty** on electronic panel speakers, sound chips and circuit boards against electronic failure caused by manufacturing defects.

The warranty stated above is valid only if the equipment is erected in conformity with the layout plan and/or installation instructions furnished by BCI Burke Company, LLC using approved parts; have been maintained and inspected in accordance with BCI Burke Company, LLC instructions. Burke’s liability and your exclusive remedy hereunder will be limited to repair or replacement of those parts found in Burke’s reasonable judgment to be defective. Any claim made within the above stated

BCI Burke Company, LLC

660 Van Dyne Road • P.O. Box 549 • Fond du Lac, WI 54936-0549 • (920) 921-9220 • 1-800-356-2070 • Fax (920) 921-9566

www.bciburke.com

warranty periods must be made promptly after discovery of the defect. A part is covered only for the original warranty period of the applicable part. Replacement parts carry the applicable warranty from the date of shipment of the replacement from Burke. After the expiration of the warranty period, you must pay for all parts, transportation and service charges.

Burke reserves the right to accept or reject any claim in whole or in part. Burke will not accept the return of any product without its prior written approval. Burke will assume transportation charges for shipment of the returned product if it is returned in strict compliance with Burke's written instructions.

THE FOREGOING WARRANTIES ARE EXCLUSIVE AND IN LIEU OF ANY OTHER WARRANTY, EXPRESS OR IMPLIED, INCLUDING BUT NOT LIMITED TO ANY IMPLIED WARRANTY OR MERCHANTABILITY OR FITNESS FOR A PARTICULAR PURPOSE. IF THE FOREGOING DISCLAIMER OF ADDITIONAL WARRANTIES IS NOT GIVEN FULL FORCE AND EFFECT, ANY RESULTING ADDITIONAL WARRANTY SHALL BE LIMITED IN DURATION TO THE EXPRESS WARRANTIES AND BE OTHERWISE SUBJECT TO AND LIMITED BY THE TERMS OF BURKE'S PRODUCT WARRANTY. SOME STATES DO NOT ALLOW THE EXCLUSION OF CERTAIN IMPLIED WARRANTIES, SO THE ABOVE LIMITATION MAY NOT APPLY TO YOU.

Warranty Exclusions: The above stated warranties do not cover: "cosmetic" defects, such as scratches, dents, marring, or fading; damage due to incorrect installation, vandalism, misuse, accident, wear and tear from normal use, exposure to extreme weather; immersion in salt or chlorine water, unauthorized repair or modification, abnormal use, lack of maintenance, or other cause not within Burke's control; and

Limitation of Remedies: Burke is not liable for consequential or incidental damages, including but not limited to labor costs or lost profits resulting from the use of or inability to use the products or from the products being incorporated in or becoming a component of any other product. If, after a reasonable number of repeated efforts, Burke is unable to repair or replace a defective or nonconforming product, Burke shall have the option to accept return of the product, or part thereof, if such does not substantially impair its value, and return the purchase price as the buyer's entire and exclusive remedy. Without limiting the generality of the foregoing, Burke will not be responsible for labor costs involved in the removal of products or the installation of replacement products. Some states do not allow the exclusion of incidental damages, so the above exclusion may not apply to you.

Terms of Sale

Pricing: Prices published in this catalog are in USD, are approximate and do not include shipping & handling, surfacing, installation nor applicable taxes.

All prices are subject to change without notice. Contact your Burke representative for current pricing. Payments are to be made in USD.

Weights: Weights are approximate and may vary with actual orders.

Installation: All equipment is shipped unassembled. For a list of factory-certified installers in your area, please contact your Burke representative.

BCI Burke Company, LLC

660 Van Dyne Road • P.O. Box 549 • Fond du Lac, WI 54936-0549 • (920) 921-9220 • 1-800-356-2070 • Fax (920) 921-9566

www.bciburke.com

Specifications: Product specifications in this catalog were correct at the time of publication. However, product improvements are ongoing at Burke, and we reserve the right to change or discontinue specifications without notice.

Loss or Damage in Transit: A signed bill of lading is our receipt from a carrier that our shipment to you was complete and in good condition upon arrival. Before you sign, please check the Bill of Lading carefully when the shipment arrives to make sure nothing is missing and there are no damages. Once the shipment leaves our plant, we are no longer responsible for any damage, loss or shortage.

For more information regarding the warranty, call Customer Service at 920-921-9220 or 1-800-356-2070.

BCI Burke Company, LLC

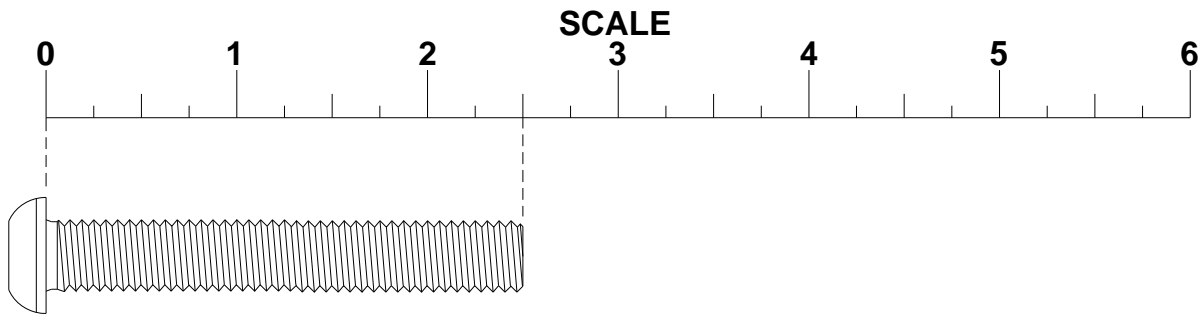
660 Van Dyne Road • P.O. Box 549 • Fond du Lac, WI 54936-0549 • (920) 921-9220 • 1-800-356-2070 • Fax (920) 921-9566

www.bciburke.com

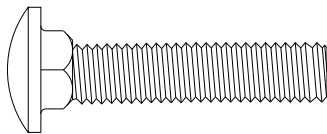
APPENDIX

BCI Burke Company, LLC
660 Van Dyne Road • P.O. Box 549 • Fond du Lac, WI 54936-0549 • (920) 921-9220 • 1-800-356-2070 • Fax (920) 921-9566
www.bciburke.com

BCI BURKE HARDWARE

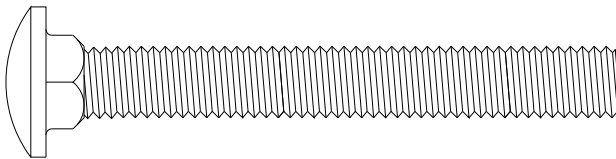


- 001-0116 - 3/8" X 3/4" SS BUTTON HEAD CAP SCREW
- 001-0117 - 3/8" X 1" SS BUTTON HEAD CAP SCREW
- 001-0118 - 3/8" X 1 1/4" SS BUTTON HEAD CAP SCREW
- 001-0119 - 3/8" X 1 1/2" SS BUTTON HEAD CAP SCREW
- 001-0120 - 3/8" X 1 3/4" SS BUTTON HEAD CAP SCREW
- 001-0121 - 3/8" X 2" SS BUTTON HEAD CAP SCREW
- 001-0122 - 3/8" X 2 1/4" SS BUTTON HEAD CAP SCREW
- 001-0123 - 3/8" X 2 1/2" SS BUTTON HEAD CAP SCREW
- 001-0140 - 3/8" X 3/4" SS BUTTON HEAD CAP SCREW W/OUT LOCKING THREAD
- 001-0143 - 3/8" X 1/2" SS BUTTON HEAD CAP SCREW
- 001-0152 - 3/8" X 1 1/4" SS BUTTON HEAD CAP SCREW W/OUT LOCKING THREAD
- 001-0153 - 3/8" X 1 1/2" SS BUTTON HEAD CAP SCREW W/OUT LOCKING THREAD
- 001-0185 - 3/8" X 1" SS BHCS W/O LOCKING THREAD
- 001-0165 - 3/8" X 3/8" SS BUTTON HEAD CAP SCREW



001-0083 - 1/4" X 1 1/4" CARRIAGE BOLT

- 001-0010 - 5/16" X 3/4" CARRIAGE BOLT
- 001-0163 - 5/16" X 1 1/2" CARRIAGE BOLT
- 001-0074 - 5/16" X 4 1/4" CARRIAGE BOLT
- 001-0082 - 5/16" X 2 3/4" CARRIAGE BOLT
- 001-0080 - 5/16" X 2" CARRIAGE BOLT
- 001-0077 - 5/16" X 1 1/4" CARRIAGE BOLT
- 001-0081 - 5/16" X 2 1/4" CARRIAGE BOLT



- 001-0018 - 3/8" X 3/4" CARRIAGE BOLT
- 001-0048 - 3/8" X 2 3/4" CARRIAGE BOLT
- 001-0098 - 3/8" X 3" CARRIAGE BOLT
- 001-0053 - 3/8" X 2 1/4" CARRIAGE BOLT
- 001-0039 - 3/8" X 2" CARRIAGE BOLT
- 001-0054 - 3/8" X 2 1/2" CARRIAGE BOLT
- 001-0068 - 3/8" X 1 1/4" CARRIAGE BOLT

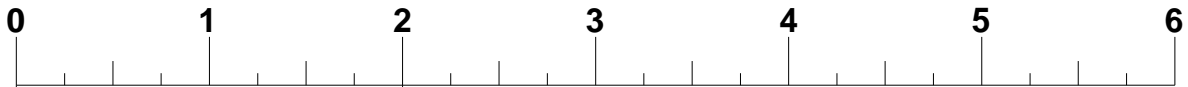
BCI Burke Company, LLC

660 Van Dyne Road • P.O. Box 549 • Fond du Lac, WI 54936-0549 • (920) 921-9220 • 1-800-356-2070 • Fax (920) 921-9566

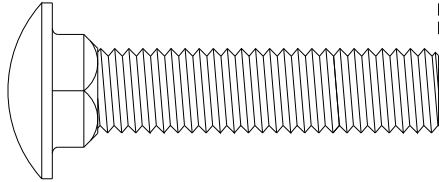
www.bciburke.com

BCI BURKE HARDWARE

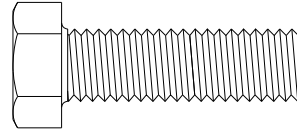
SCALE



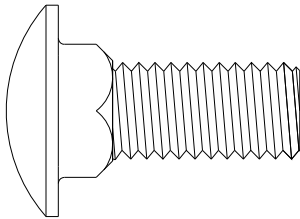
001-0137 - 1/4"-28 UNF X 5/8" ZC HEX HEAD CAP SCREW



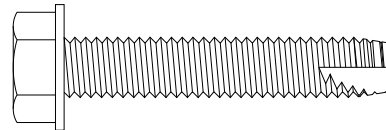
001-0025 - 5/16" X 1" HEX HEAD BOLT
 001-0147 - 5/16" X 1" SS HEX HEAD BOLT
 001-0146 - 5/16" X 1 1/4" SS HEX HEAD BOLT
 001-0184 - 5/16" X 1 3/4" SS HEX HEAD BOLT



001-0050 - 7/16" X 2" CARRIAGE BOLT
 001-0066 - 7/16" X 3" CARRIAGE BOLT
 001-0055 - 7/16" X 2 1/4" CARRIAGE BOLT
 001-0097 - 7/16" X 6 1/2" CARRIAGE BOLT

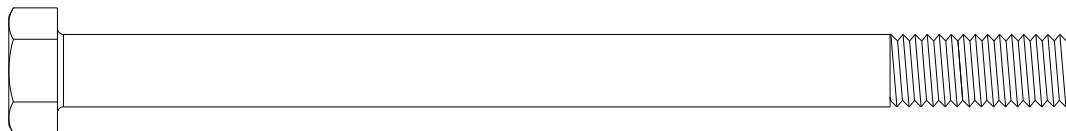


001-0056 - 3/8" X 1 1/4" HEX HEAD CAP SCREW
 001-0058 - 3/8" X 1" HEX HEAD CAP SCREW
 001-0087 - 3/8" X 1 1/2" HEX HEAD CAP



001-0141 - 1/2" X 1 1/4" CARRIAGE BOLT

001-0135 - 5/16" X 1 1/2" SELF TAPPING SCREW



001-0023 - 3/8" X 2 3/4" HEX HEAD CAP SCREW
 001-0046 - 3/8" X 4 1/2" HEX HEAD CAP SCREW
 001-0072 - 3/8" X 2" HEX HEAD CAP SCREW
 001-0073 - 3/8" X 3 3/4" HEX HEAD CAP SCREW
 001-0134 - 3/8" X 3 1/2" HEX HEAD CAP SCREW
 001-0076 - 3/8" X 3 1/4" HEX HEAD CAP SCREW
 001-0084 - 3/8" X 2 1/4" HEX HEAD CAP SCREW
 001-0089 - 3/8" X 3" HEX HEAD CAP SCREW
 001-0090 - 3/8" X 5" HEX HEAD CAP SCREW
 001-0101 - 3/8" X 4" HEX HEAD CAP SCREW

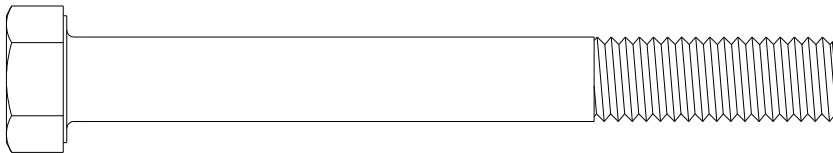
BCI Burke Company, LLC

660 Van Dyne Road • P.O. Box 549 • Fond du Lac, WI 54936-0549 • (920) 921-9220 • 1-800-356-2070 • Fax (920) 921-9566

www.bciburke.com

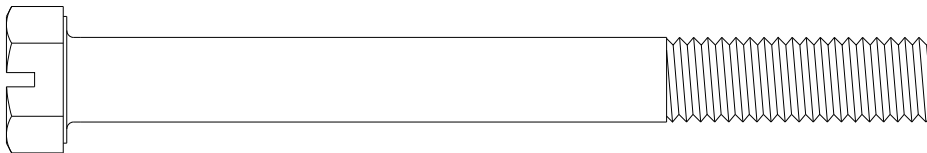
BCI BURKE HARDWARE

SCALE



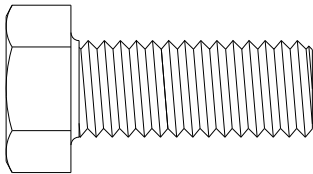
001-0096 - 7/16" X 3 1/2" HEX HEAD CAP SCREW
001-0132 - 7/16" X 4" HEX HEAD CAP SCREW

001-0062 - 7/16" X 1 1/4" HEX HEAD CAP SCREW
001-0049 - 7/16" X 4 1/2" HEX HEAD CAP SCREW

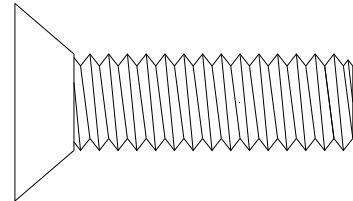


001-0037 - 7/16" X 3" HEX HEAD CAP SCREW - SLOTTED
001-0047 - 7/16" X 4 1/2" HEX HEAD CAP SCREW - SLOTTED

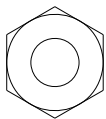
001-0186 - 3/8" X 1 1/4" SS FLAT COUNTERSUNK HEAD CAP SCREW



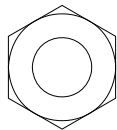
001-0099 - 1/2" X 4 1/2" HEX HEAD CAP SCREW
001-0057 - 1/2" X 1 1/4" HEX HEAD CAP SCREW
001-0160 - 1/2" X 1 1/4" HEX HEAD CAP SCREW - GRADE 8
001-0170 - 1/2" X 5" FULLY THREADED HEX HEAD SCREW



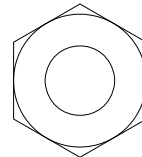
001-0139 - 1/2" X 1 3/4" SS FLAT COUNTERSUNK HEAD CAP SCREW



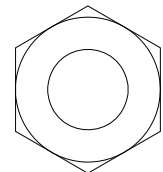
002-0003 - 5/16" LOCK NUT



002-0012 - 3/8" LOCK NUT
002-0018 - 3/8" NUT
002-0036 - 3/8" SS NUT



002-0005 - 7/16" LOCK NUT



002-0004 - 1/2" LOCK NUT
002-0049 - 1/2" SS LOCK NUT

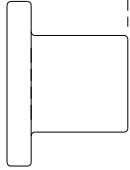
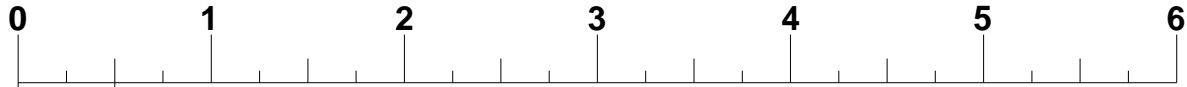
BCI Burke Company, LLC

660 Van Dyne Road • P.O. Box 549 • Fond du Lac, WI 54936-0549 • (920) 921-9220 • 1-800-356-2070 • Fax (920) 921-9566

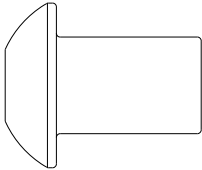
www.bciburke.com

BCI BURKE HARDWARE

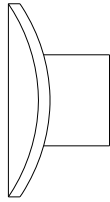
SCALE



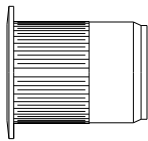
002-0053 - 3/8" X 1/2" SS SOCKET HEAD BARREL NUT
002-0063 - 3/8" X 3/8" SS SOCKET HEAD BARREL NUT



002-0062 - 3/8" X 3/4" SS SOCKET HEAD BARREL NUT



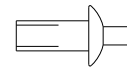
002-0040 - 3/8" SS T-NUT FORMED
002-0028 - 1/4" T-NUT



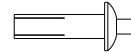
002-0042 - 3/8" NUT INSERT



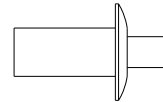
019-0002 - 3/16" X 7/8" DRIVE RIVET
019-0004 - 3/16" X 1 5/32" RIVET



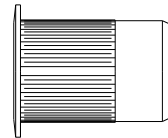
019-0010 - 5/32" X 3/8" DRIVE RIVET



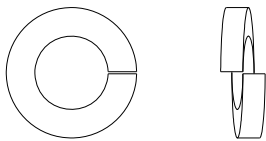
019-0016 - 1/8" X 15/32" DRIVE RIVET



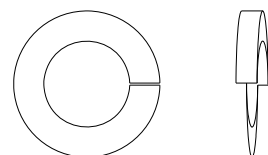
019-0020 - 1/4" X 1/2" DRIVE RIVET
019-0009 - 1/4" X 3/4" DRIVE RIVET



002-0061 - 3/8" NUT INSERT (7 GA GRIP)



021-0022 - 3/8" LOCK WASHER



021-0027 - 7/16" LOCK WASHER

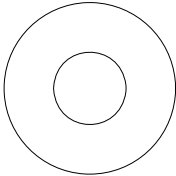
BCI Burke Company, LLC

660 Van Dyne Road • P.O. Box 549 • Fond du Lac, WI 54936-0549 • (920) 921-9220 • 1-800-356-2070 • Fax (920) 921-9566

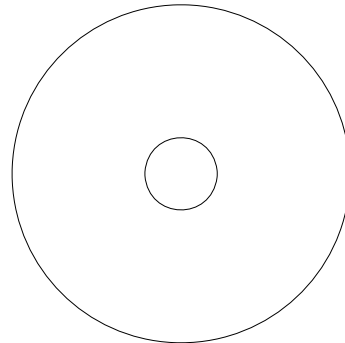
www.bciburke.com

BCI BURKE HARDWARE

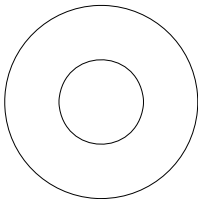
SCALE



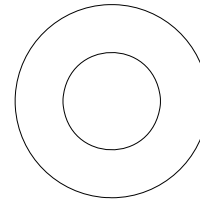
021-0032 - 5/16" SS FLAT WASHER
021-0028 - 5/16" FLAT WASHER



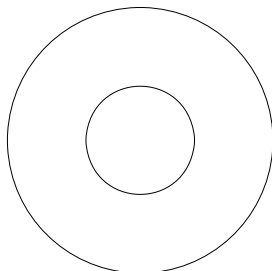
021-0012 - 3/8" X 1 3/4" WASHER
021-0001- 1 3/4" OD X 13/16" ID X 3/32" WASHER



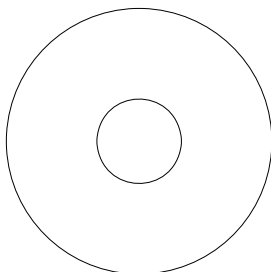
021-0033 - 3/8" SS FLAT WASHER
021-0029 - 3/8" FLAT WASHER



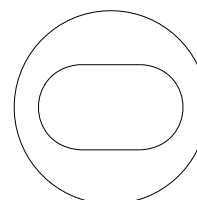
021-0042 - WASHER, NYLON, 1/2" ID X 1" OD X .125 THK



021-0025 - 1/2" FLAT WASHER
021-0034 - 1/2" SS FLAT WASHER



021-0008 - 1 3/8" OD WASHER



021-0019 - 3/8" X 1" OD SLOTTED WASHER

BCI Burke Company, LLC

660 Van Dyne Road • P.O. Box 549 • Fond du Lac, WI 54936-0549 • (920) 921-9220 • 1-800-356-2070 • Fax (920) 921-9566

www.bciburke.com

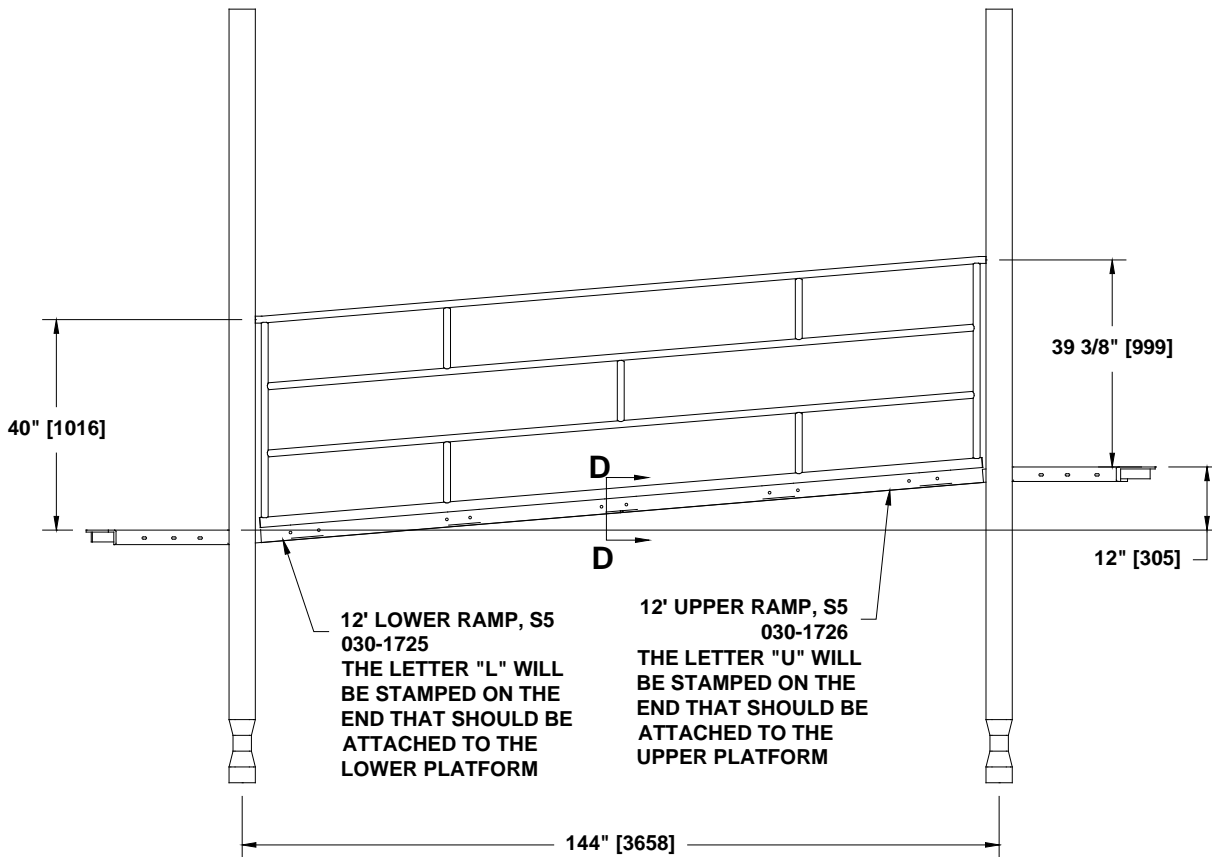
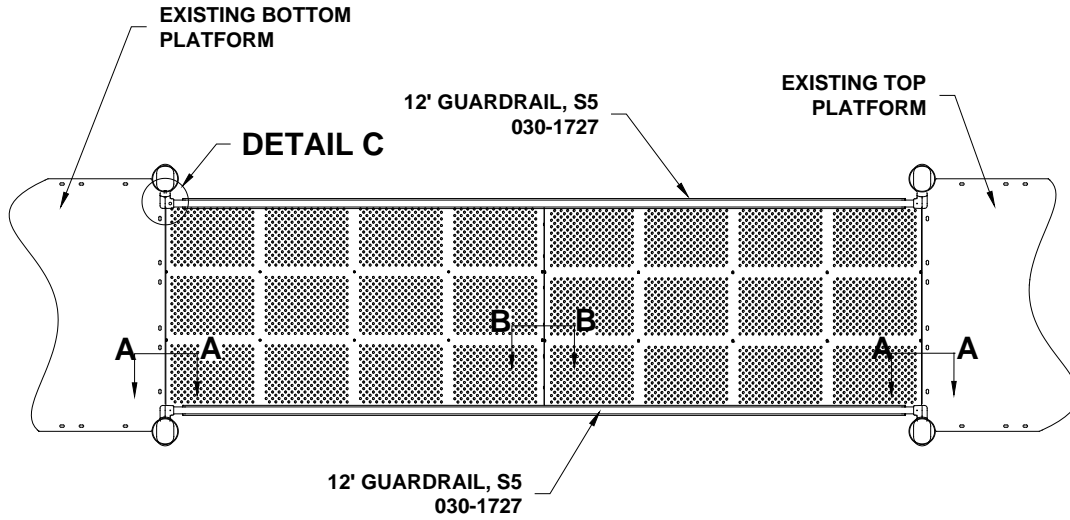
Installation Instructions

BCI Burke Company, LLC

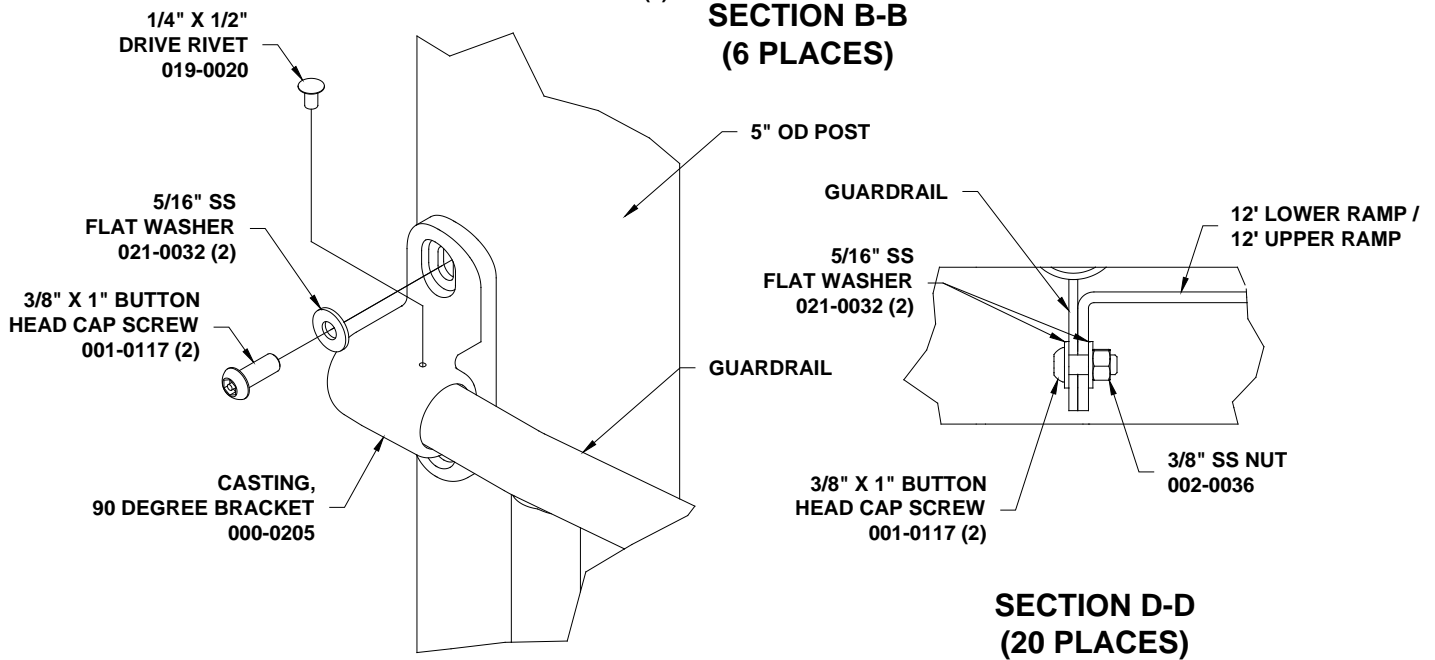
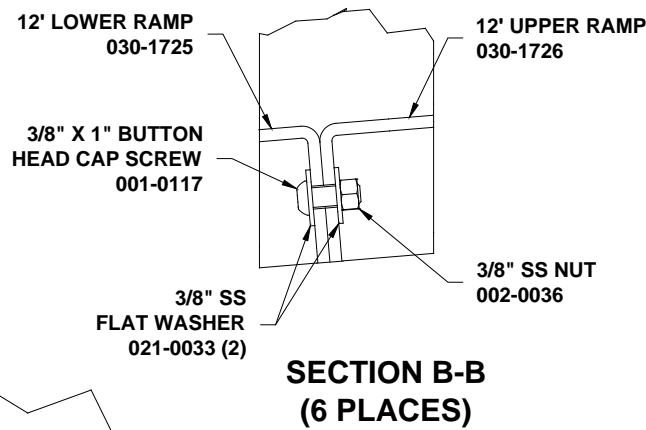
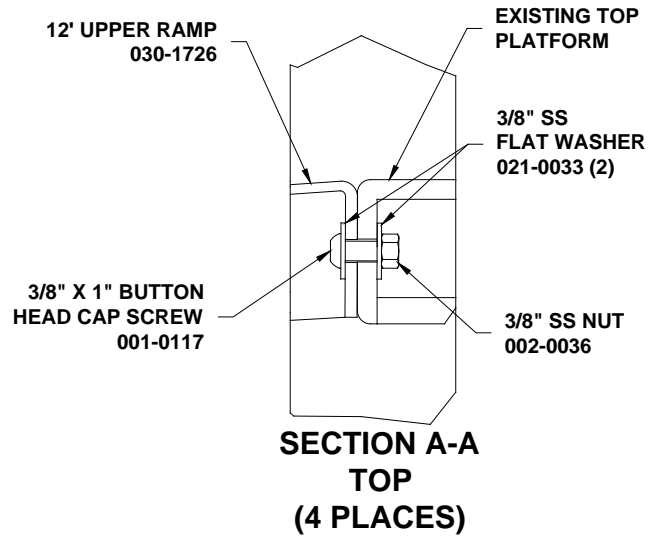
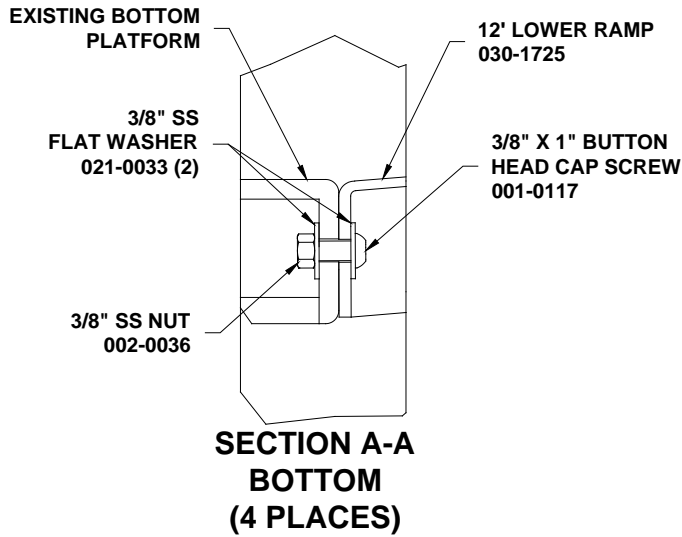
660 Van Dyne Road • P.O. Box 549 • Fond du Lac, WI 54936-0549 • (920) 921-9220 • 1-800-356-2070 • Fax (920) 921-9566

www.bciburke.com

BCI Burke Company, LLC
660 Van Dyne Road • P.O. Box 549 • Fond du Lac, WI 54936-0549 • (920) 921-9220 • 1-800-356-2070 • Fax (920) 921-9566
www.bciburke.com



270-0003 12" RISE RAMP W/ GUARDRAILS



**DETAIL C
(4 PLACES)**

270-0003 12" RISE RAMP W/ GUARDRAILS

PARTS LIST

<u>PART NO.</u>	<u>DESCRIPTION</u>	<u>QTY</u>
000-0205	CASTING, 90 DEGREE BRACKET	4
030-1725	12' LOWER RAMP, S5	1
030-1726	12' UPPER RAMP, S5	1
030-1727	12' GUARDRAIL, S5	2
036-1114	HARDWARE PACKAGE	1

Note: Hardware package(s) may include extra hardware that is not necessary for this installation.

SPECIFICATIONS

CASTING, 90 DEGREE BRACKET: A356-T6 Aluminum, Heat-Treated. Finished with baked on powder coating.

12' LOWER RAMP, S5; 12' UPPER RAMP, S5: One piece all welded construction consisting of 12 GA surfaces and 7 GA gussets. PVC coated after fabrication.

12' GUARDRAIL, S5: One piece all welded construction consisting of 1.315" OD x 14 GA & 1.900" OD x 11 GA galvanized steel tubing and 12 GA. Finished with a baked on powder coating.

HARDWARE PACKAGE: Stainless steel screws, nuts & washers and aluminum rivets with 302 stainless steel pin.

SHIPPING WEIGHT: 509 LBS.

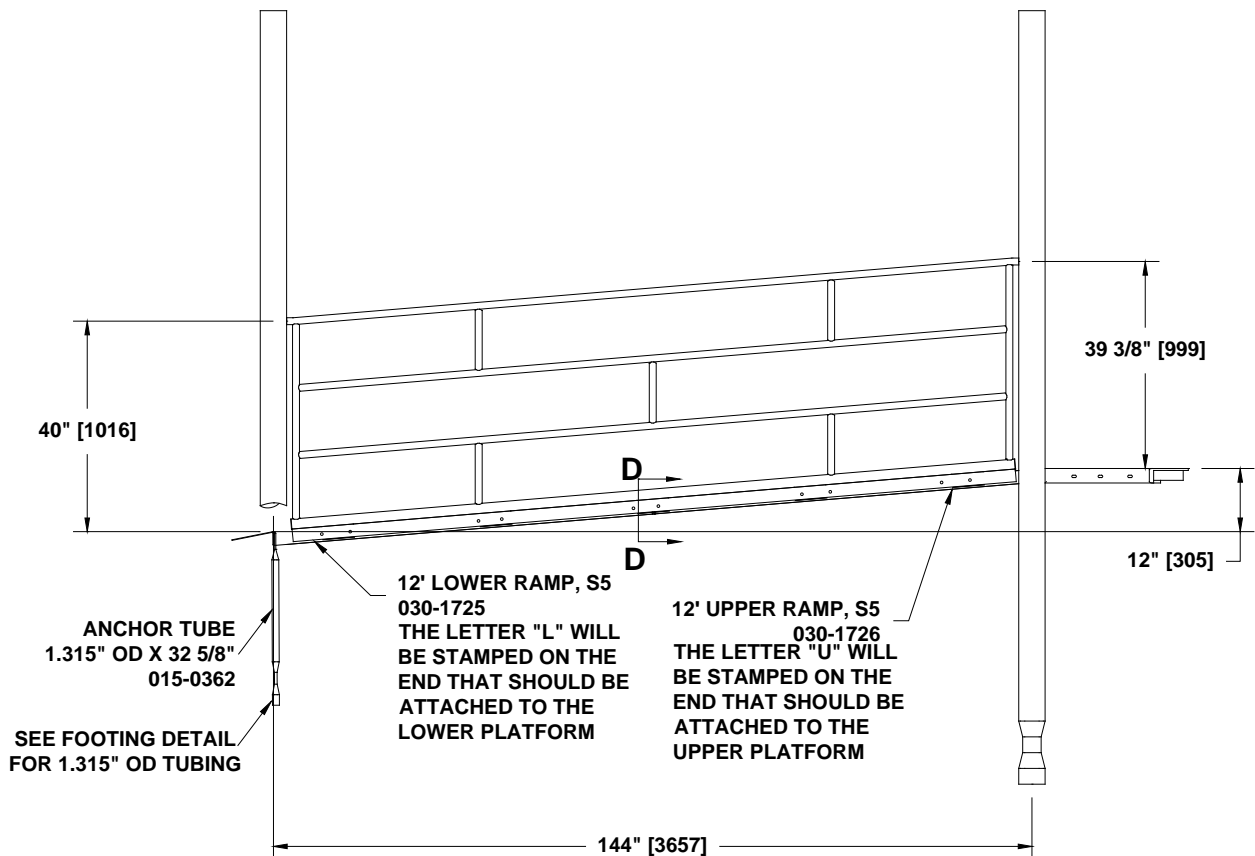
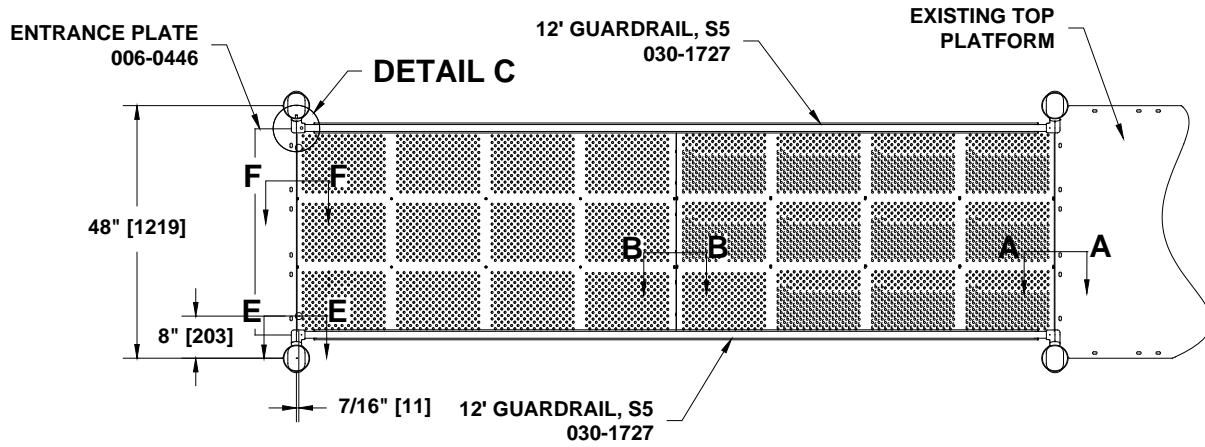
INSTALLATION INSTRUCTIONS

NOTE: PVC coating may need to be removed from mounting holes of parts before installation.

NOTE: Do not tighten hardware until instructed to do so.

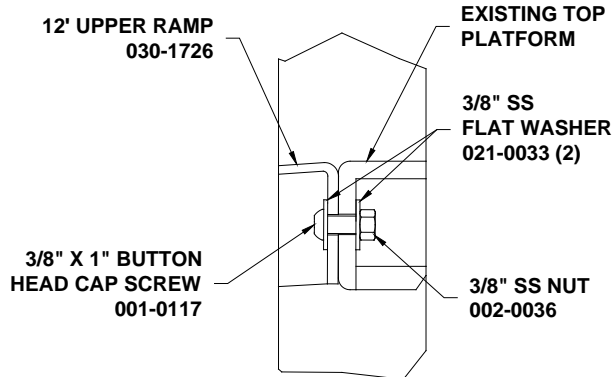
1. Determine location of 12" rise ramp.
2. Support upper of 12' lower ramp.
3. Attach 12' LOWER RAMP to existing lower platform using 3/8" X 1" SS button head cap screws, 3/8" SS washers and 3/8" SS nuts. See SECTION A-A BOTTOM.
4. Attach 12' UPPER RAMP to existing upper platform and 12' lower ramp using 3/8" X 1" SS button head cap screws, 3/8" SS washers and 3/8" SS nuts. See SECTION A-A TOP and SECTION B-B.
5. Attach 12' GUARDRAILS to 12' lower and upper ramps using 3/8" X 1" SS button head cap screws, 5/16" SS washers and 3/8" SS nuts. See SECTION D-D.
6. Sleeve CASTING, 90 DEGREE BRACKETS onto ends of guardrails and attach to 5" OD posts using 3/8" X 1" SS button head cap screws and 5/16" SS washers. See DETAIL C.
7. Tighten all hardware.
8. Drill 1/4" hole through castings and barriers using the dimple in the casting as a drill point. See DETAIL C.
9. Drive 1/4" rivet into hole. (4 places) See DETAIL C.

Install resilient material in accordance to installation guidelines, ASTM standards and CPSC guidelines

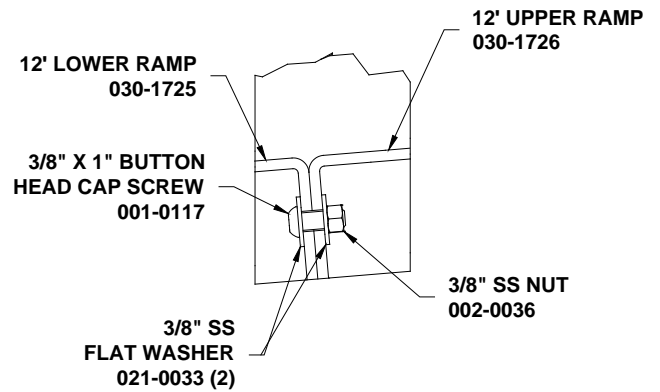


270-0005

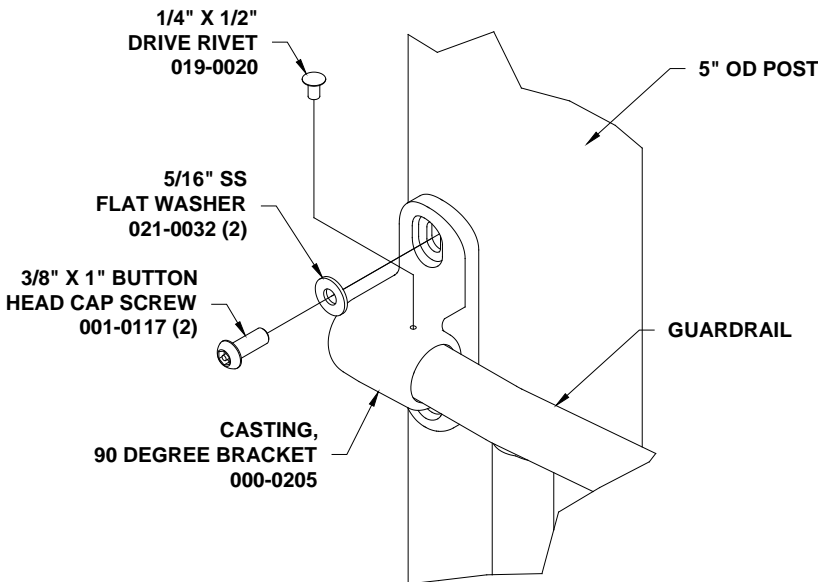
12" RISE ENTRANCE RAMP W/ GUARDRAILS



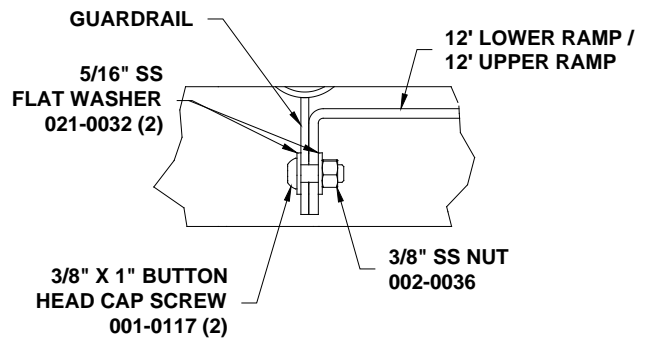
**SECTION A-A
(4 PLACES)**



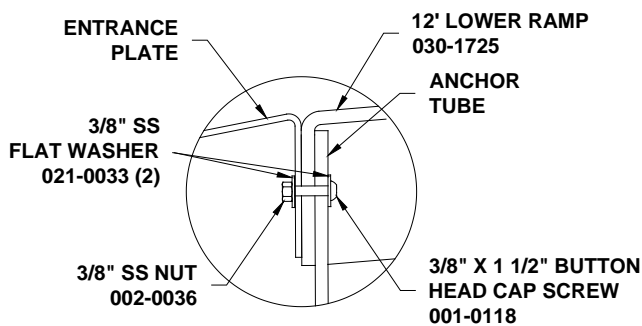
**SECTION B-B
(6 PLACES)**



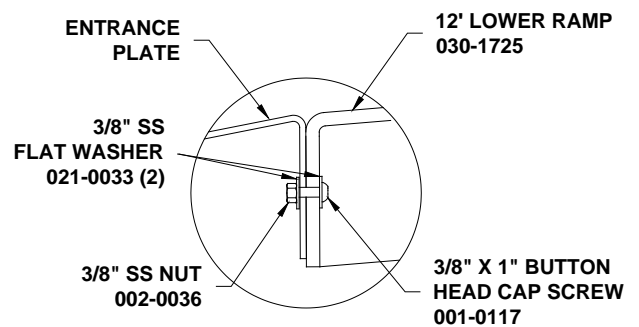
**DETAIL C
(4 PLACES)**



**SECTION D-D
(20 PLACES)**



**SECTION E-E
(2 PLACES)**



**SECTION F-F
(2 PLACES)**

270-0005

12" RISE ENTRANCE RAMP W/ GUARDRAILS

PARTS LIST

<u>PART NO.</u>	<u>DESCRIPTION</u>	<u>QTY</u>
000-0205	CASTING, 90 DEGREE BRACKET	4
006-0446	ENTRANCE PLATE	1
015-0362	ANCHOR TUBE 1.315" OD X 32 5/8"	2
030-1725	12' LOWER RAMP, S5	1
030-1726	12' UPPER RAMP, S5	1
030-1727	12' GUARDRAIL, S5	2
036-1114	HARDWARE PACKAGE	1

Note: Hardware package(s) may include extra hardware that is not necessary for this installation.

SPECIFICATIONS

CASTING, 90 DEGREE BRACKET: A356-T6 Aluminum, Heat-Treated. Finished with baked on powder coating.

ENTRANCE PLATE: 7 GA HR steel. PVC coated after fabrication.

ANCHOR TUBE 1.315" OD X 32 5/8": 1.315" OD x 12 GA galvanized steel tubing finished with a baked on powder coating.

12' LOWER RAMP, S5; 12' UPPER RAMP, S5: One piece all welded construction consisting of 12 GA surfaces and 7 GA gussets. PVC coated after fabrication.

12' GUARDRAIL, S5: One piece all welded construction consisting of 1.315" OD x 14 GA & 1.900" OD x 11 GA galvanized steel tubing and 12 GA. Finished with a baked on powder coating.

HARDWARE PACKAGE: Stainless steel screws, nuts & washers and aluminum rivets with 302 stainless steel pin.

SHIPPING WEIGHT: 541 LBS.

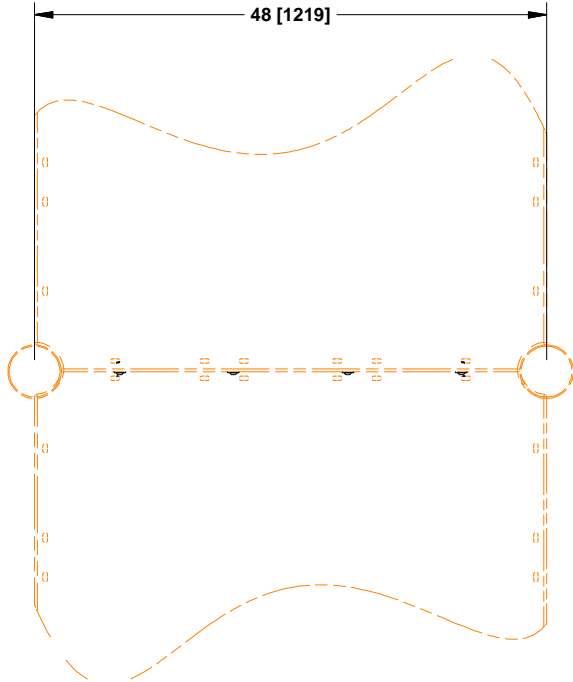
INSTALLATION INSTRUCTIONS

NOTE: PVC coating may need to be removed from mounting holes of parts before installation.

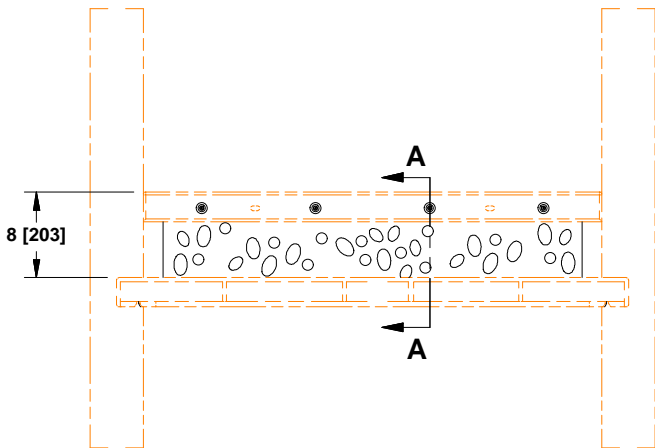
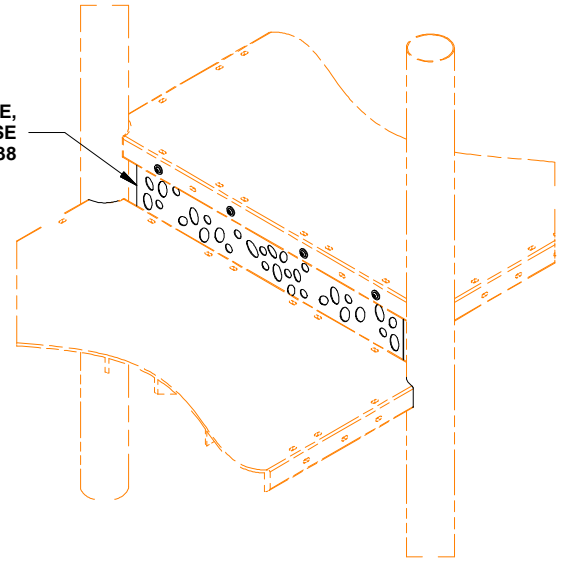
NOTE: Do not tighten hardware until instructed to do so.

1. Determine location of 12" rise ramp.
2. Attach ENTRANCE PLATE AND ANCHOR TUBES to 12' LOWER RAMP using 3/8" X 1" & 1 1/4" SS button head cap screws, 3/8" SS washers and 3/8" SS nuts. See SECTION E-E and SECTION F-F.
3. Tighten hardware.
4. Attach 12' UPPER RAMP to existing platform and 12' lower ramp using 3/8" X 1" SS button head cap screws, 3/8" SS washers and 3/8" SS nuts. See SECTION A-A and SECTION B-B.
5. Attach 12' GUARDRAILS to 12' lower and upper ramps using 3/8" X 1" SS button head cap screws, 5/16" SS washers and 3/8" SS nuts. See SECTION D-D.
6. Sleeve CASTING, 90 DEGREE BRACKETS onto ends of guardrails and attach to 5" OD posts using 3/8" X 1" SS button head cap screws and 5/16" SS washers. See DETAIL C.
7. Tighten all hardware.
8. Drill 1/4" hole through castings and barriers using the dimple in the casting as a drill point. See DETAIL C.
9. Drive 1/4" rivet into hole. (4 places) . See DETAIL C.

Install resilient material in accordance to installation guidelines, ASTM standards and CPSC guidelines



8" CLOSURE PLATE,
ELLIPSE
007-1738



3/8" SS FLAT WASHER
021-0033 8 X

3/8" X 1" SS BUTTON
HEAD CAP SCREW
001-0117 4 X

3/8" SS NUT
002-0036 4 X

3/8" SS FLAT WASHER
021-0033 8 X

3/8" X 1" SS BUTTON
HEAD CAP SCREW
001-0117 4 X

3/8" SS NUT
002-0036 4 X

SECTION A-A

270-0009 8" CLOSURE PLATE, ELLIPSE

PARTS LIST

<u>PART NO.</u>	<u>DESCRIPTION</u>	<u>QTY</u>
007-1738	8" CLOSURE PLATE, ELLIPSE	1
036-1380	HARDWARE PACKAGE	1

NOTE: Hardware package(s) may include extra hardware that is not necessary for this installation.

SPECIFICATIONS

8" CLOSURE PLATE, ELLIPSE: 14 GA galvanized steel plate finished with a baked-on powder coating.

HARDWARE PACKAGES: Stainless steel button head cap screws, washers, and nuts

SHIPPING WEIGHT: 8 LBS.

INSTALLATION INSTRUCTIONS

NOTE: PVC coating may need to be removed from mounting holes in platforms before installation

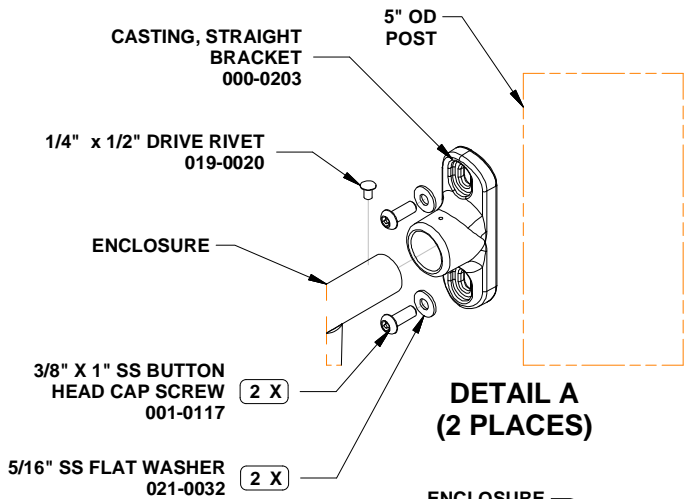
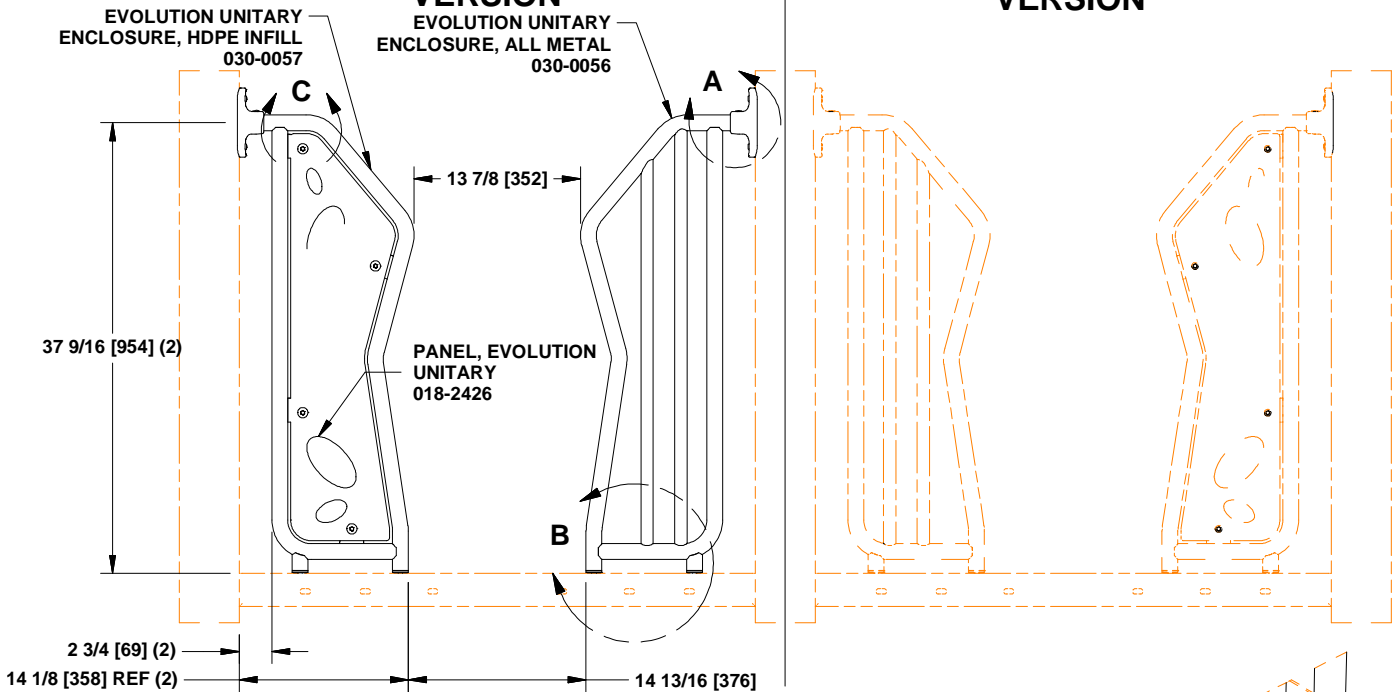
NOTE: Do not tighten hardware until instructed to do so.

1. Attach 8" CLOSURE PLATE, ELLIPSE to upper and lower platform using hardware specified in SECTION A-A.
Ensure the nuts are located directly under the platforms.
2. Tighten hardware.
3. **Install resilient surfacing material in accordance to installation guidelines, ASTM standards and CPSC guidelines.**

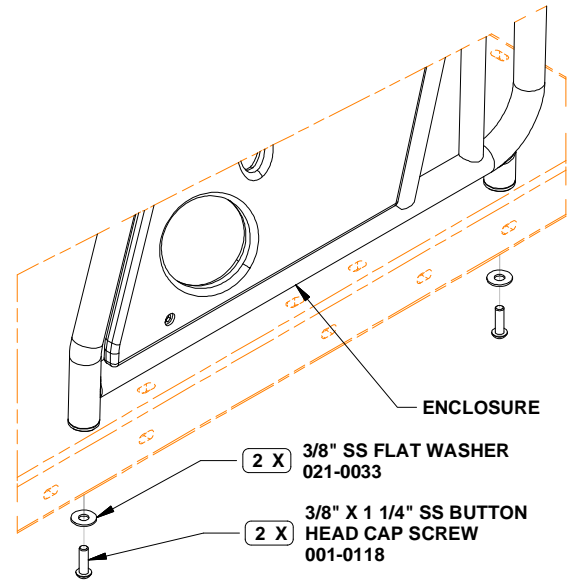
TWO ASSEMBLY OPTIONS (SEE SITE PLAN FOR ORIENTATION)

PANEL ON THE LEFT VERSION

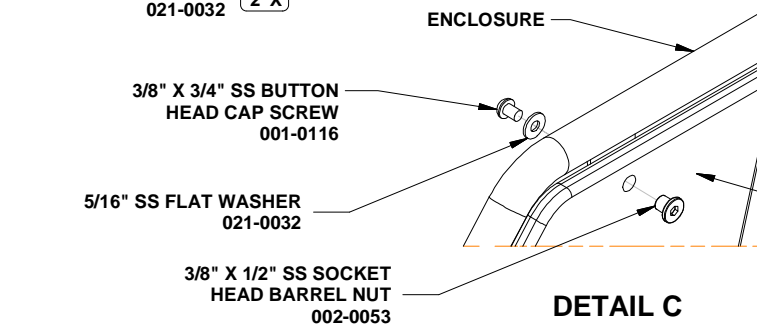
PANEL ON THE RIGHT VERSION



**DETAIL A
(2 PLACES)**



**DETAIL B
(2 PLACES)**



**DETAIL C
(4 PLACES)**

PANEL
*NOTE: PANEL WILL ALWAYS ASSEMBLE AWAY FROM THE PLATFORM

270-0120 EVOLUTION UNITARY ENCLOSURE

PARTS LIST

<u>PART NO.</u>	<u>DESCRIPTION</u>	<u>QTY</u>
000-0203	CASTING, STRAIGHT BRACKET	2
018-2426	PANEL, EVOLUTION UNITARY	1
030-0056	EVOLUTION UNITARY ENCLOSURE, ALL METAL	1
030-0057	EVOLUTION UNITARY ENCLOSURE, HDPE INFILL	1
036-1544	HARDWARE PACKAGE	1

NOTE: Hardware package(s) may include extra hardware that is not necessary for this installation.

SPECIFICATIONS

CASTING, STRAIGHT BRACKET: A356-T6 Aluminum, Heat-Treated. Finished with baked on powder coating.

PANEL, EVOLUTION UNITARY: 3/4" Extruded HDPE.

EVOLUTION UNITARY ENCLOSURE, ALL METAL: One peice all welded construction consisting of 1.315" OD x 12 GA and 1.029" OD x 14 GA galvanized steel tubing. Finished with baked on powder coating.

EVOLUTION UNITARY ENCLOSURE, HDPE INFILL: One peice all welded construction consisting of 1.315" OD x 12 GA galvanized steel tubing and 10 GA galvanized steel sheeting. Finished with baked on powder coating.

HARDWARE PACKAGE: Stainless Steel.

SHIPPING WEIGHT: 34 LBS.

INSTALLATION INSTRUCTIONS

NOTE: PVC coating may need to be removed from mounting holes of parts before installation.

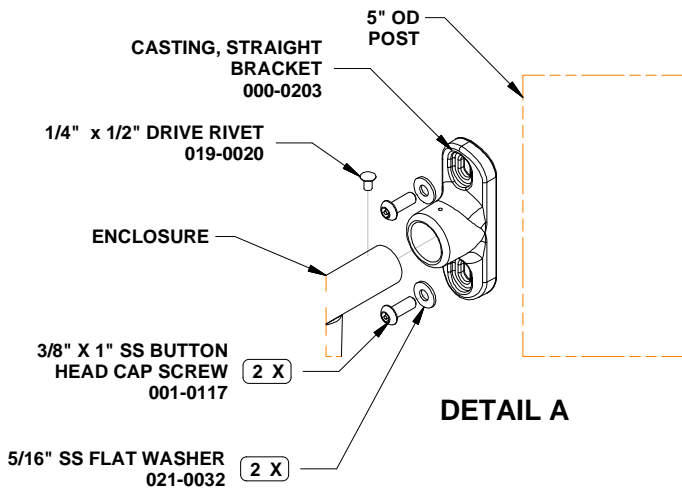
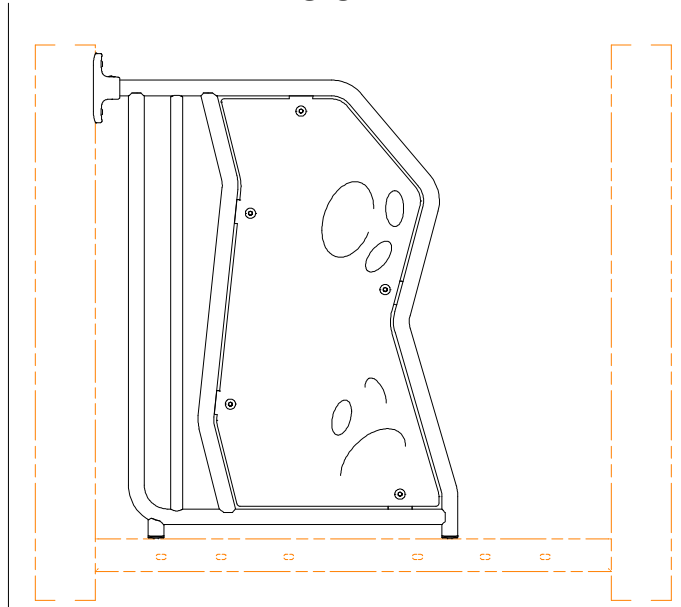
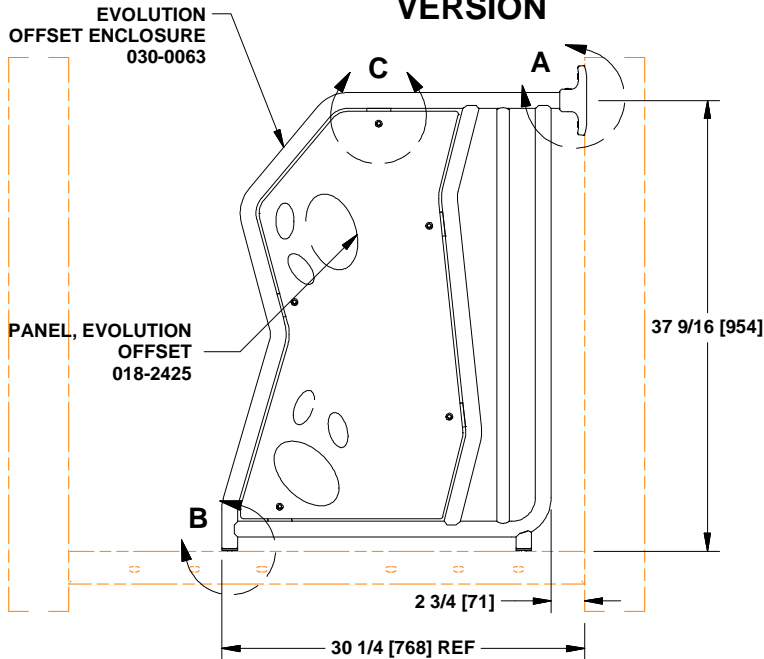
NOTE: Do not tighten hardware until instructed to do so.

1. Insert CASTING, STRAIGHT BRACKETs onto ends of EVOLUTION UNITARY ENCLOSURE, ALL METAL and EVOLUTION UNITARY ENCLOSURE, HDPE INFILL and fasten the top hole of castings to the posts using hardware specified in DETAIL A.
2. Rotate unitary enclosures up 90 degrees and fasten bottom hole of castings to posts using hardware specified in DETAIL A.
3. Rotate unitary enclosures down 90 degrees and attach to platform using hardware specified in DETAIL B.
4. Drill 1/4" diameter hole through the castings and enclosures, using the pilot hole in the castings. Drive in rivet, as specified in DETAIL A, until center pin is flush.
5. Attach PANEL, EVOLUTION UNITARY to enclosure using hardware specified in DETAIL C. Panel should be on the side away from the platform.
6. Tighten all hardware.

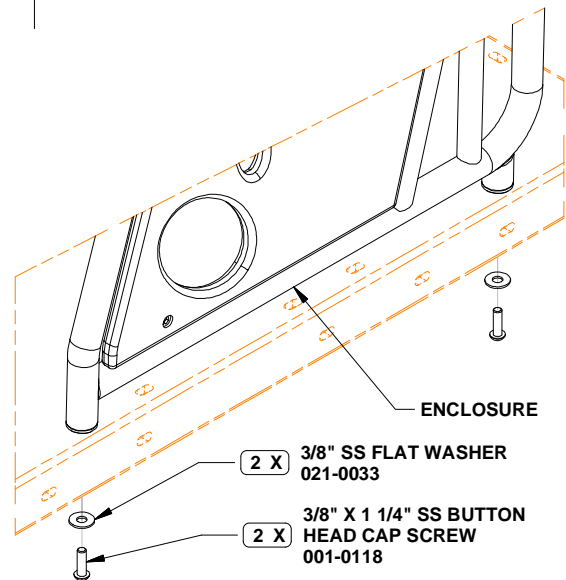
TWO ASSEMBLY OPTIONS (SEE SITE PLAN FOR ORIENTATION)

PANEL ON THE RIGHT VERSION

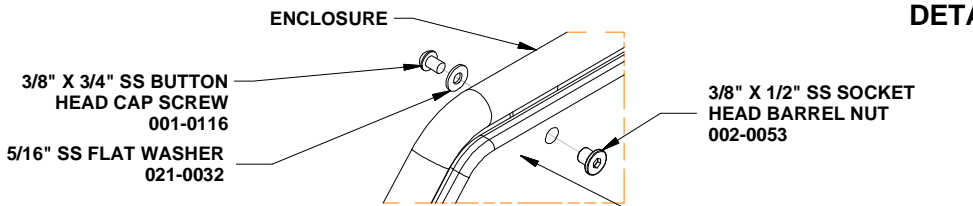
PANEL ON THE LEFT VERSION



DETAIL A



DETAIL B



**DETAIL C
(5 PLACES)**

PANEL
*NOTE: PANEL WILL ALWAYS
ASSEMBLE AWAY FROM THE
PLATFORM

270-0122 EVOLUTION OFFSET ENCLOSURE

PARTS LIST

<u>PART NO.</u>	<u>DESCRIPTION</u>	<u>QTY</u>
000-0203	CASTING, STRAIGHT BRACKET	1
018-2425	PANEL, EVOLUTION OFFSET	1
030-0063	EVOLUTION OFFSET ENCLOSURE	1
036-1544	HARDWARE PACKAGE	1

NOTE: Hardware package(s) may include extra hardware that is not necessary for this installation.

SPECIFICATIONS

CASTING, STRAIGHT BRACKET: A356-T6 Aluminum, Heat-Treated. Finished with baked on powder coating.

PANEL, EVOLUTION OFFSET: 3/4" Extruded HDPE.

EVOLUTION OFFSET ENCLOSURE: One peice all welded construction consisting of 1.315" OD x 12 GA and 1.029" OD x 14 GA galvanized steel tubing, and 10 GA galvanized steel sheeting. Finished with baked on powder coating.

HARDWARE PACKAGE: Stainless Steel.

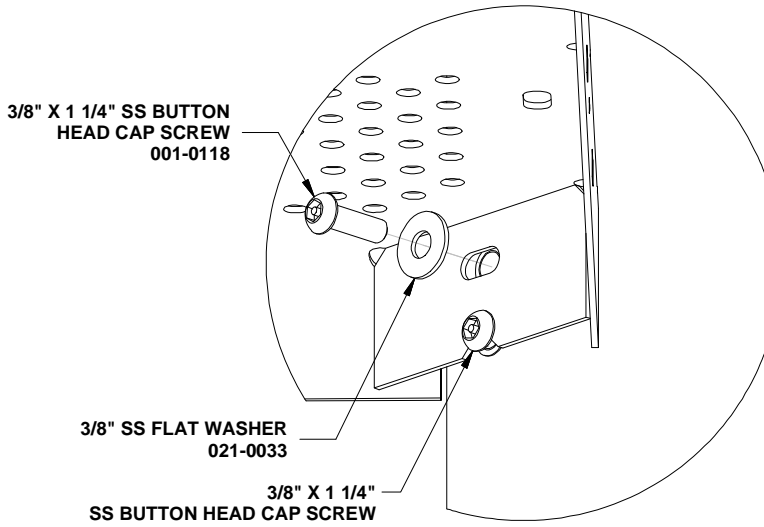
SHIPPING WEIGHT: 34 LBS.

INSTALLATION INSTRUCTIONS

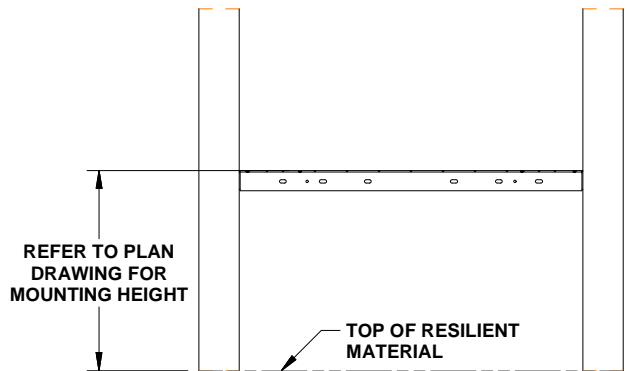
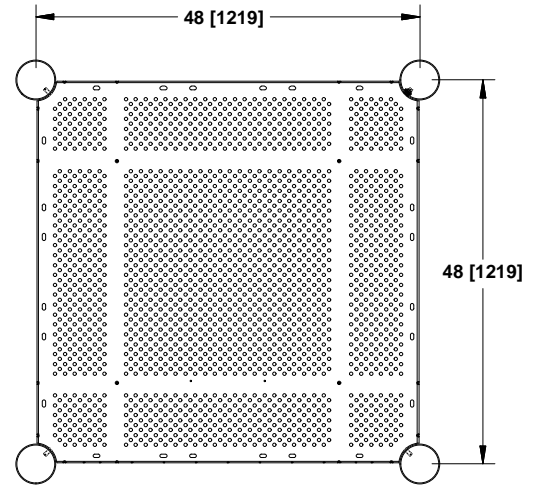
NOTE: PVC coating may need to be removed from mounting holes of parts before installation.

NOTE: Do not tighten hardware until instructed to do so.

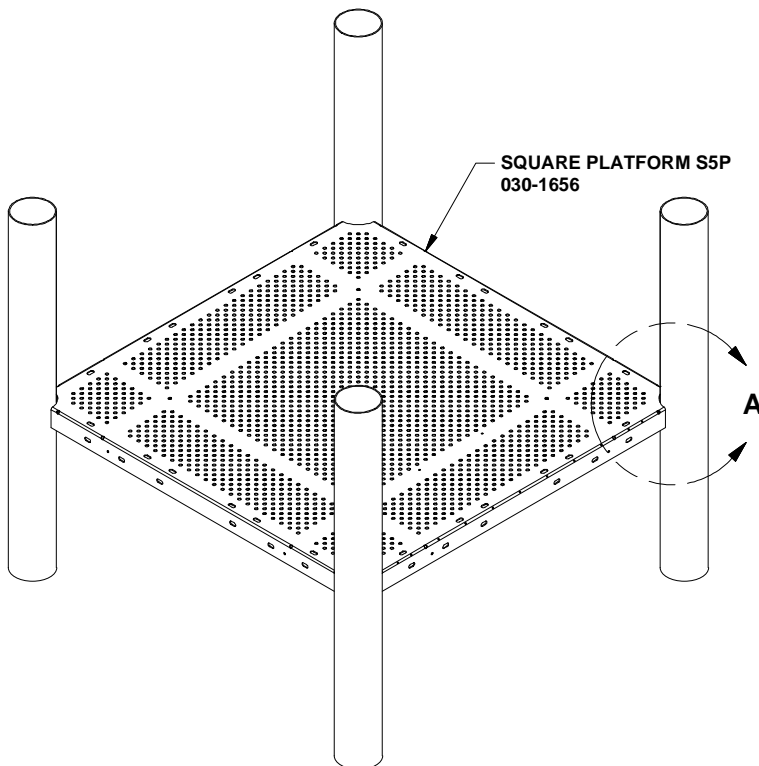
1. Insert CASTING, STRAIGHT BRACKET onto end of EVOLUTION OFFSET ENCLOSURE and fasten the casting to the post using hardware specified in DETAIL A.
2. Attach enclosure to platform using hardware specified in DETAIL B.
3. Drill 1/4" diameter hole through the casting and enclosure, using the pilot hole in the casting. Drive in rivet, as specified in DETAIL A, until center pin is flush.
4. Attach PANEL, EVOLUTION OFFSET to enclosure using hardware specified in DETAIL C. Panel should be on the side away from the platform.
5. Tighten all hardware.



**DETAIL A
(4 PLACES)
"PATENTED EZKconnect[®]
deck mounting system"**



ELEVATION VIEW



**270-0130
SQUARE PLATFORM**

PARTS LIST

PART NO.	DESCRIPTION	QTY
030-1656	SQUARE PLATFORM S5P	1
036-1101	HARDWARE PACKAGE	1

NOTE: Hardware package(s) may include extra hardware that is not necessary for this installation.

SPECIFICATIONS

SQUARE PLATFORM S5P: 12 GA HRPO sheet, finished with a PVC Coating.

HARDWARE PACKAGE: Stainless steel.

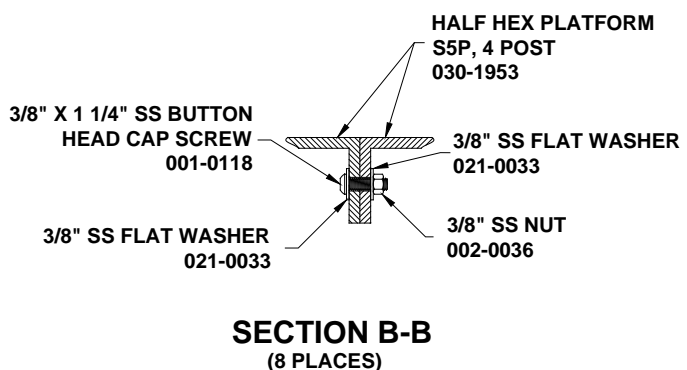
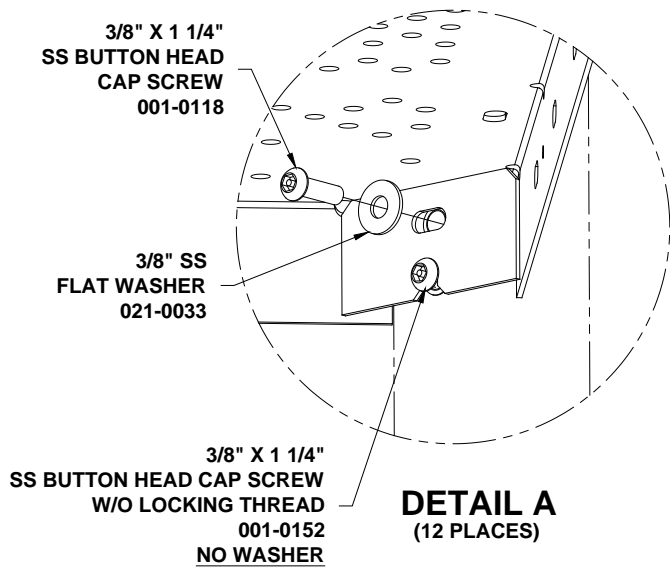
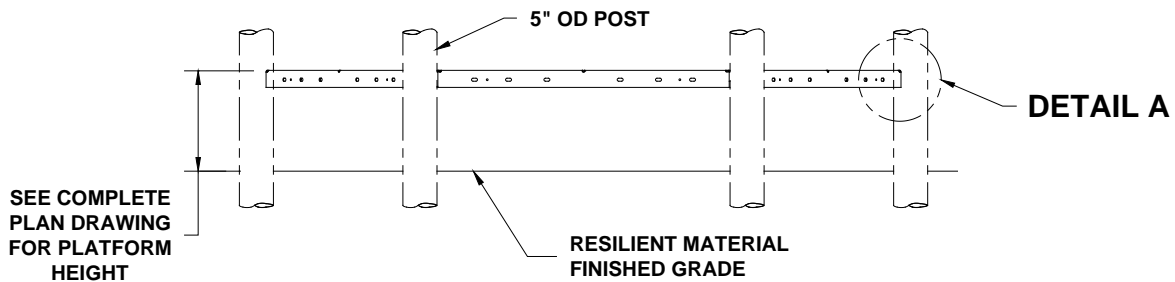
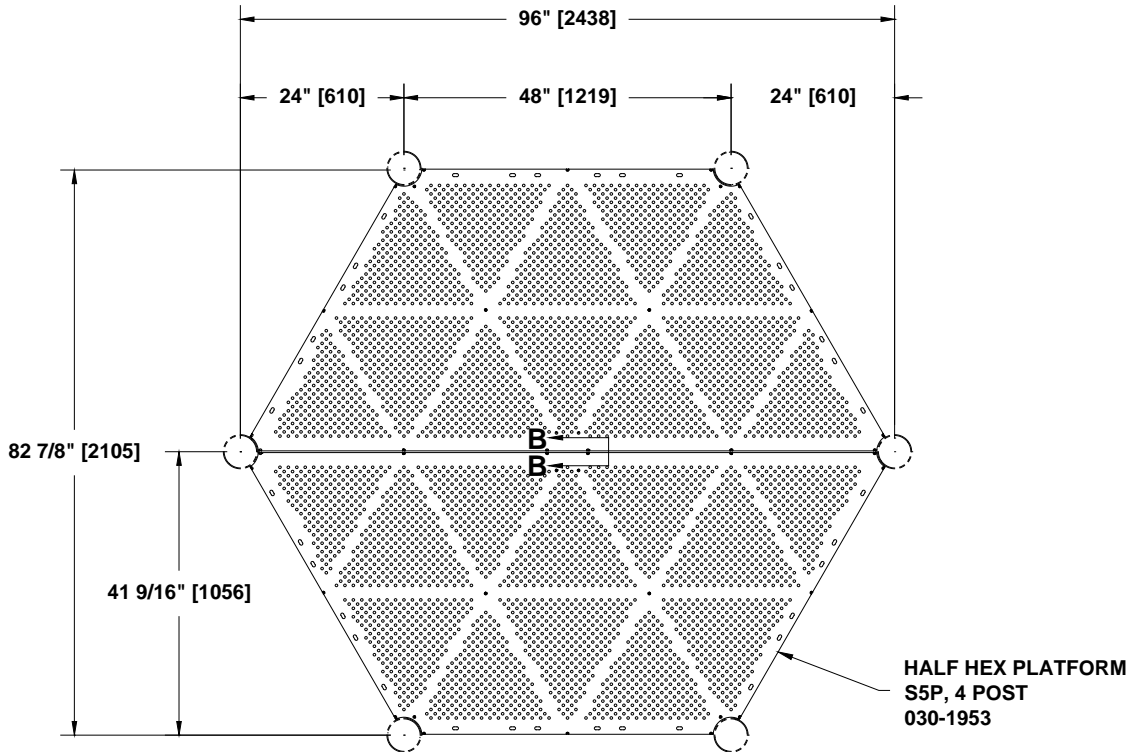
SHIPPING WEIGHT: 106 LBS.

INSTALLATION INSTRUCTIONS

NOTE: PVC coating may need to be removed from mounting holes of parts before installation.

NOTE: Do not tighten hardware until instructed to do so.

1. Locate the double sets of platform mounting holes in each post.
2. Attach with patented EZKonnec^{ti} deck mounting system. Partially thread a 3/8"x 1 1/4" SS button head cap screw W/O LOCKING THREAD into the lower hole of the double set of mounting holes WITHOUT a washer.
DO NOT TIGHTEN. See DETAIL A.
3. Slide the four corners of the SQUARE PLATFORM onto the partially threaded cap screws on each post.
4. Complete attaching platform to posts by using 3/8" x 1 1/4" SS button head cap screws and 3/8" SS flat washers to secure platform into upper mounting hole. See DETAIL A.
5. Level platform and plumb posts.
6. Tighten all hardware.
7. Pour concrete. Let set for two to three days.
8. **Install resilient material in accordance to installation guidelines, ASTM standards and CPSC guidelines.**



270-0131 HEXAGONAL PLATFORM S5P

PARTS LIST

<u>PART NO.</u>	<u>DESCRIPTION</u>	<u>QTY</u>
030-1953	HALF HEX 4 POST S5 PLATFORM	2
036-1108	HARDWARE PACKAGE	1

Note: Hardware package(s) may include extra hardware that is not necessary for this installation.

SPECIFICATIONS

HALF HEX 4 POST S5 PLATFORM: One piece platform all welded construction consisting of 12 GA surfaces, gussets, and corner plates. PVC coated after fabrication.

HARDWARE PACKAGE: Stainless steel

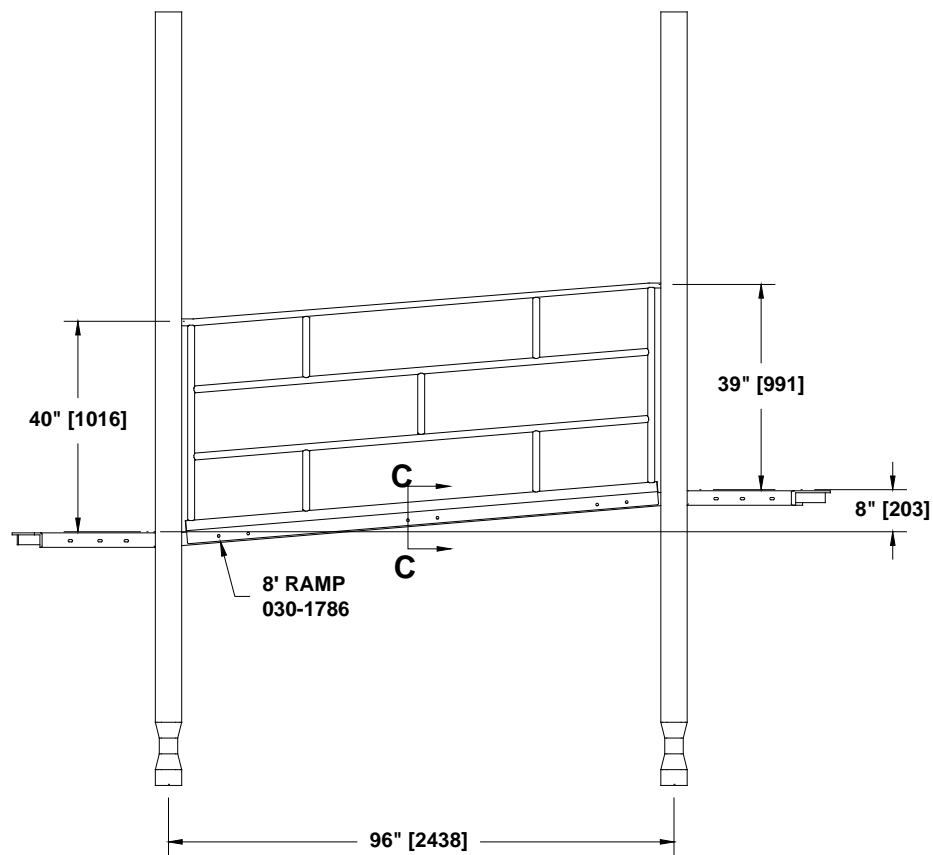
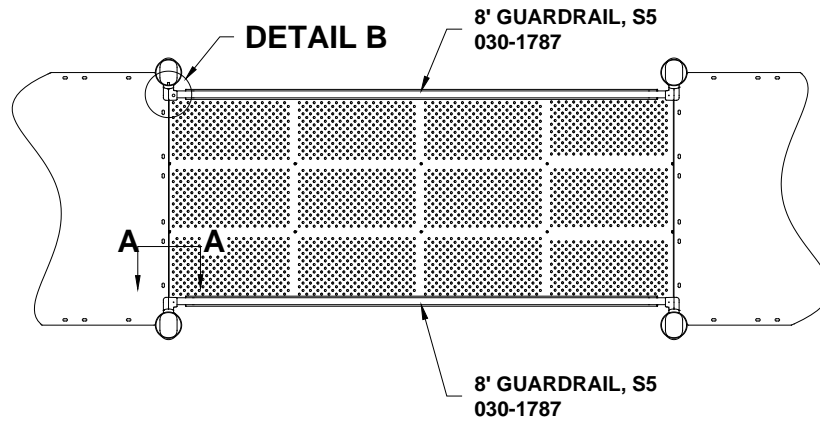
SHIPPING WEIGHT: 287 LBS.

INSTALLATION INSTRUCTIONS

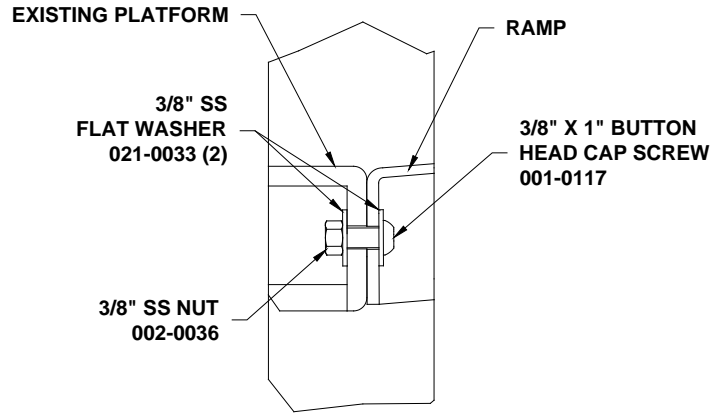
NOTE: PVC coating may need to be removed from mounting holes of parts before installation.

NOTE: Do not tighten hardware until instructed to do so.

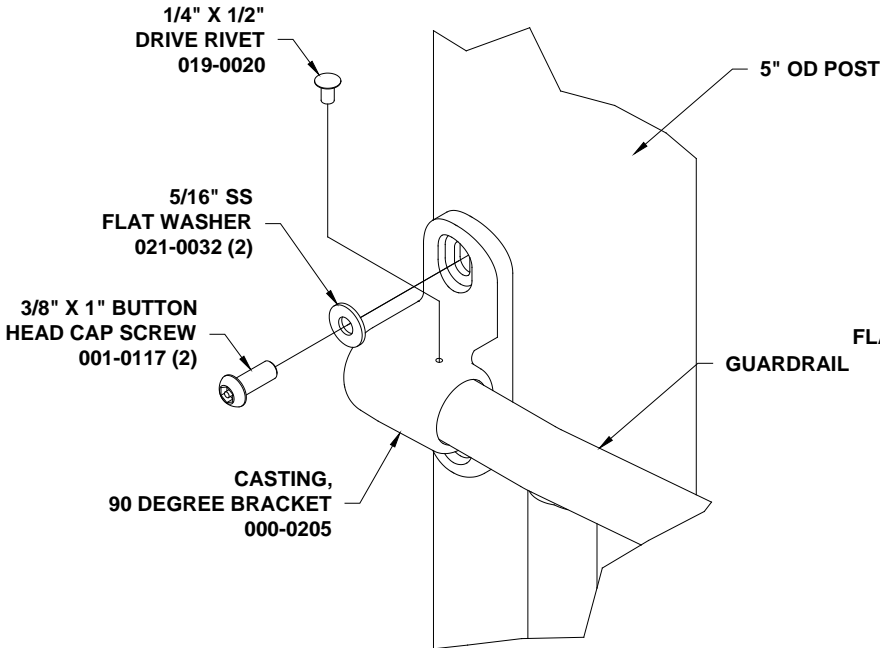
1. Locate the double sets of platform mounting holes in each post.
2. Partially thread a 3/8" x 1 1/4" SS button head cap screw W/O LOCKING THREAD into the lower hole of the double set of mounting holes WITHOUT a washer. **DO NOT TIGHTEN.** See DETAIL A.
3. Slide the four corners of the HALF HEX PLATFORM onto the partially threaded cap screws on each post.
4. Complete attaching platforms to posts by using 3/8" x 1 1/4" SS button head cap screws and 3/8" SS flat washers to secure platform into upper mounting hole. See DETAIL A.
5. Attach other section to hex platforms using 3/8" x 1 1/4" SS button head cap screws, 3/8" SS flat washers and 3/8" SS nut. **Note: If this unit gets a hex roof, place roof on posts before cementing.** See SECTION B-B.
6. Level platform and plumb posts.
7. Tighten all hardware.
8. Pour concrete. Let set for two to three days.
9. **Install resilient material in accordance to installation guidelines, ASTM standards and CPSC guidelines.**



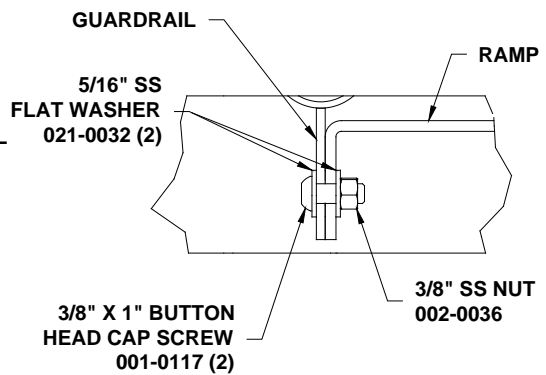
270-0221 8" RISE RAMP W/ GUARDRAILS



**SECTION A-A
(12 PLACES)**



**DETAIL B
(4 PLACES)**



**SECTION C-C
(12 PLACES)**

270-0221 8" RISE RAMP W/ GUARDRAILS

PARTS LIST

<u>PART NO.</u>	<u>DESCRIPTION</u>	<u>QTY</u>
000-0205	CASTING, 90 DEGREE BRACKET	4
030-1786	8' RAMP	1
030-1787	8' GUARDRAIL, S5	2
036-1114	HARDWARE PACKAGE	1

Note: Hardware package(s) may include extra hardware that is not necessary for this installation.

SPECIFICATIONS

CASTING, 90 DEGREE BRACKET: A356-T6 Aluminum, Heat-Treated. Finished with baked on powder coating.

8' RAMP: One piece all welded construction consisting of 12 GA surfaces and 7 GA gussets. PVC coated after fabrication.

8' GUARDRAIL, S5: One piece all welded construction consisting of 1.315" OD x 14 GA & 1.900" OD x 11 GA galvanized steel tubing and 12 GA. Finished with a baked on powder coating.

HARDWARE PACKAGE: Stainless steel screws, nuts & washers and aluminum rivets with 302 stainless steel pin.

SHIPPING WEIGHT: 356 LBS.

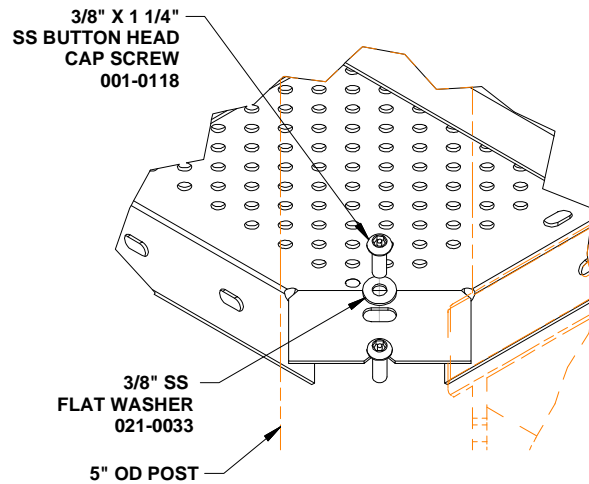
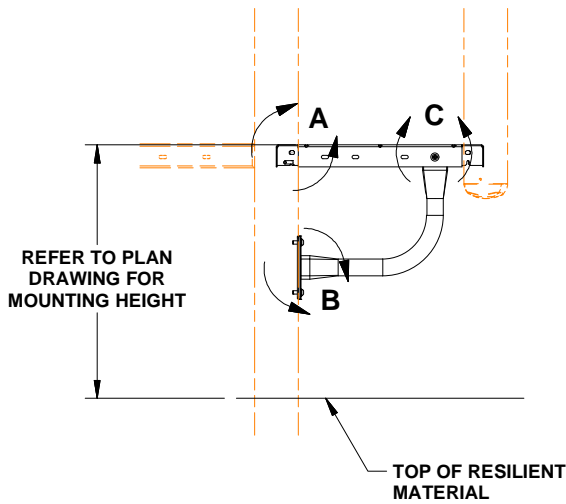
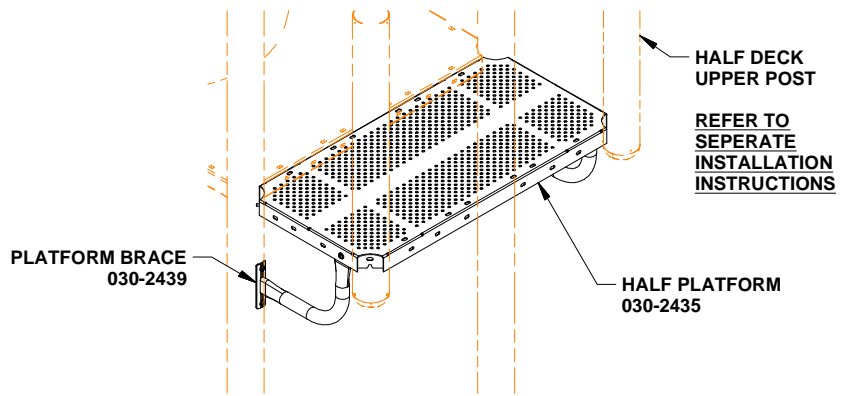
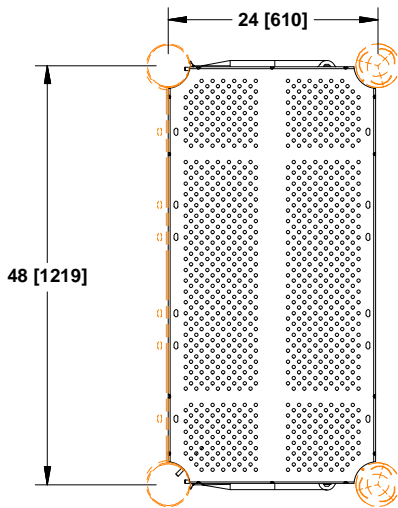
INSTALLATION INSTRUCTIONS

NOTE: PVC coating may need to be removed from mounting holes of parts before installation.

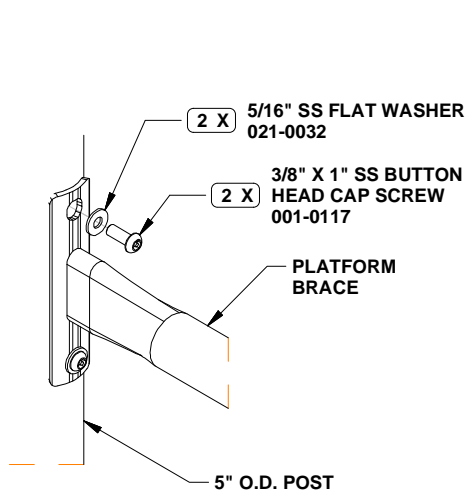
NOTE: Do not tighten hardware until instructed to do so.

1. Determine location of 8" rise ramp.
2. Attach 8' RAMP to existing lower and upper platform using 3/8" X 1" SS button head cap screws, 3/8" SS washers and 3/8" SS nuts. See SECTION A-A.
3. Attach 8' GUARDRAILS to ramp using 3/8" X 1" SS button head cap screws, 5/16" SS washers and 3/8" SS nuts. See SECTION C-C.
4. Sleeve CASTING, 90 DEGREE BRACKETS onto ends of barriers and attach to 5" OD posts using 3/8" X 1" SS button head cap screws and 5/16" SS washers. See DETAIL B.
5. Tighten all hardware.
6. Drill 1/4" hole through castings and barriers using the dimple in the casting as a drill point. See DETAIL B.
7. Drive 1/4" rivet into hole. See DETAIL B.

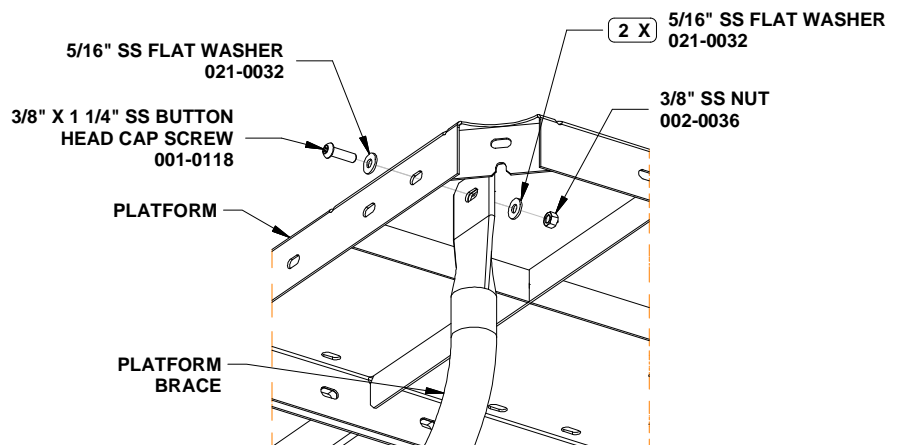
Install resilient material in accordance to installation guidelines, ASTM standards and CPSC guidelines



**DETAIL A
(4 PLACES)**



**DETAIL B
(2 PLACES)**



**DETAIL C
(2 PLACES)**

270-0291 HALF PLATFORM W/SUPPORT

PARTS LIST

PART NO.	DESCRIPTION	QTY
030-2435	HALF PLATFORM	1
030-2439	PLATFORM BRACE	2
036-1101	HARDWARE PACKAGE	1

NOTE: Hardware package(s) may include extra hardware that is not necessary for this installation.

SPECIFICATIONS

HALF PLATFORM: 12 GA HRPO sheet, finished with a PVC Coating.

PLATFORM BRACE: One piece all welded construction consisting of a formed 1.900" OD X 11 GA galvanized tube, and a formed 7 GA stainless steel plate. Finished with a baked on powder coating.

HARDWARE PACKAGE: Stainless steel

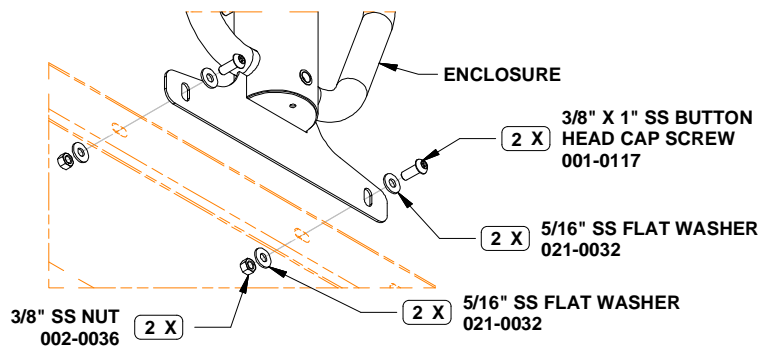
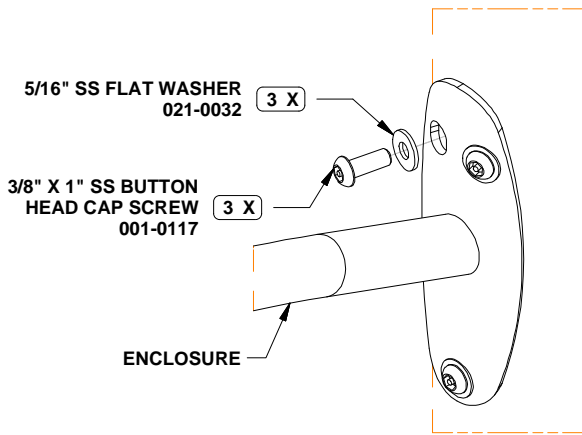
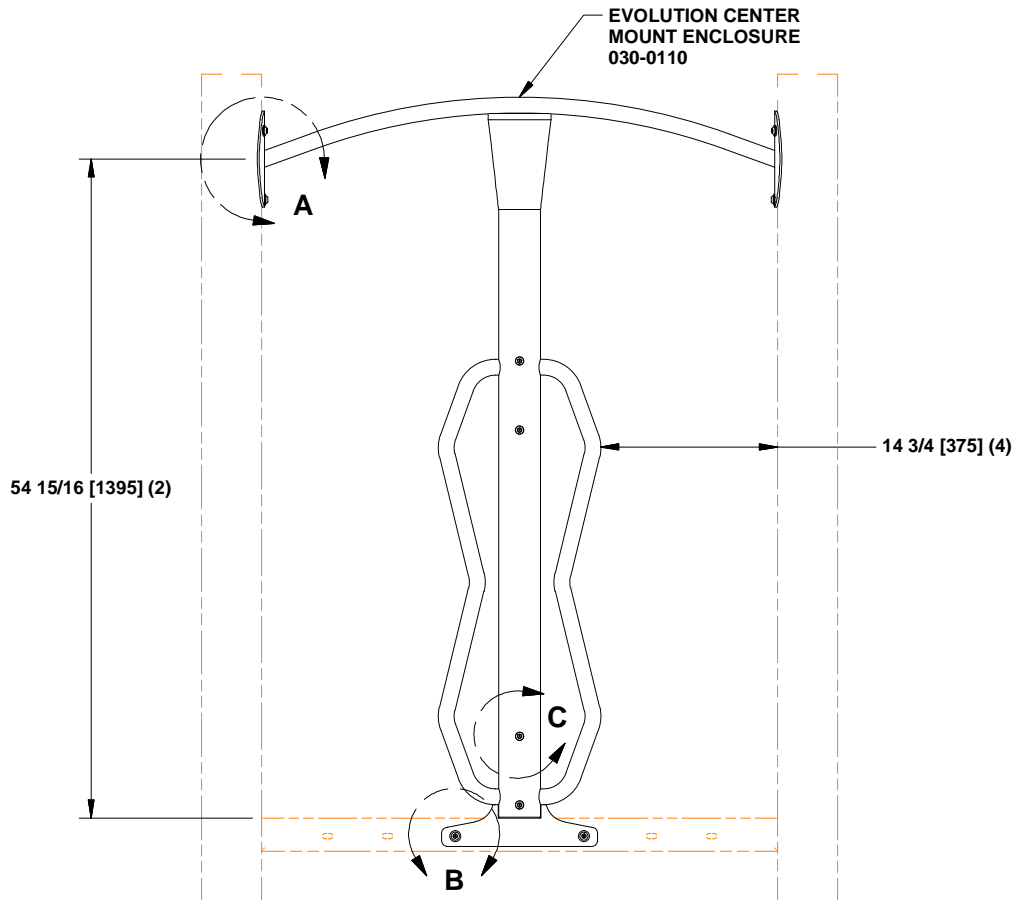
SHIPPING WEIGHT: 69 LBS.

INSTALLATION INSTRUCTIONS

NOTE: PVC coating may need to be removed from mounting holes of parts before installation.

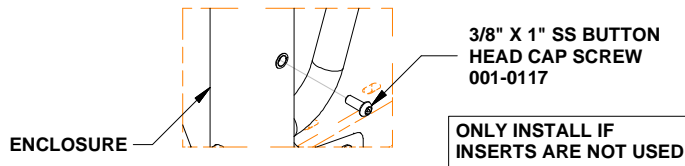
NOTE: Do not tighten hardware until instructed to do so.

1. Locate the double sets of platform mounting holes in each post, and the platform brace holes below them.
2. Attach the PLATFORM BRACES to the post using hardware specified in DETAIL B.
3. Partially thread a 3/8"x 1 1/4" SS button head cap screw W/O LOCKING THREAD into the lower hole of the double set of mounting holes WITHOUT a washer. **DO NOT TIGHTEN.** See DETAIL A.
4. Slide the two corners of the HALF PLATFORM onto the partially threaded cap screws on each post.
You may rest the other side of platform on the braces for support during this part of the assembly operation.
5. Complete attaching platform to posts by using 3/8" x 1 1/4" SS button head cap screws and 3/8" SS flat washers to secure platform into upper mounting hole. See DETAIL A.
6. Attach braces to platform using hardware specified in DETAIL C.
7. Level platform and plumb posts.
8. Tighten all hardware.
9. Attach half deck upper posts and selected climber or slide according to the relevant installation manual.
10. Pour concrete. Let set for two to three days.
11. **Install resilient material in accordance to installation guidelines, ASTM standards and CPSC guidelines.**



DETAIL B

**DETAIL A
(2 PLACES)**



**DETAIL C
(OPTIONAL)**

270-0292

EVOLUTION CENTER MOUNT ENCLOSURE

PARTS LIST

<u>PART NO.</u>	<u>DESCRIPTION</u>	<u>QTY</u>
030-0110	EVOLUTION CENTER MOUNT ENCLOSURE	1
036-0258	HARDWARE PACKAGE	5
036-2006	HARDWARE PACKAGE	1

NOTE: Hardware package(s) may include extra hardware that is not necessary for this installation.

SPECIFICATIONS

EVOLUTION CENTER MOUNT ENCLOSURE: One piece all welded construction consisting of 3.5" OD x 11 GA and 1.315" OD x 12 GA galvanized steel tubing, 10 GA galvanized steel plating, and 7 GA stainless steel plating. Finished with a baked on powder coating.

HARDWARE PACKAGE; HARDWARE PACKAGE: Stainless Steel.

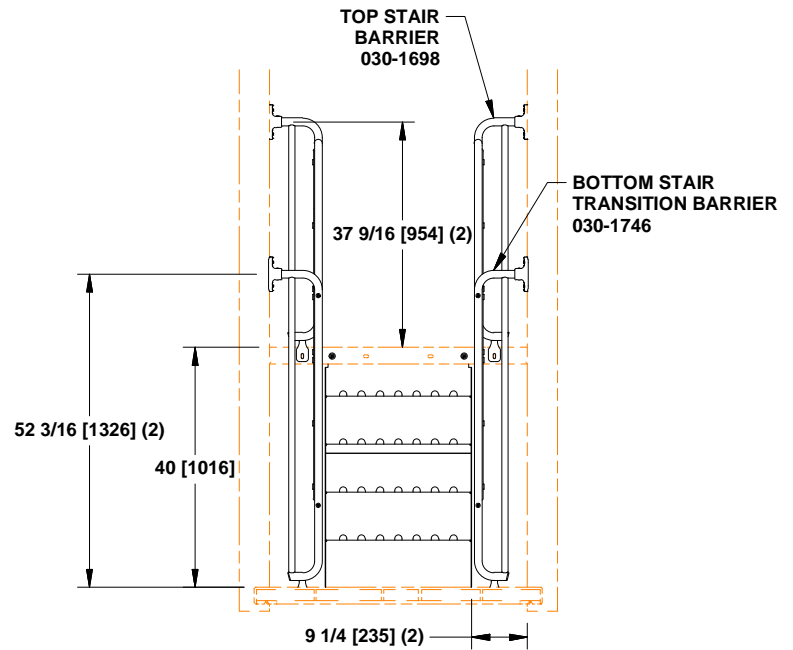
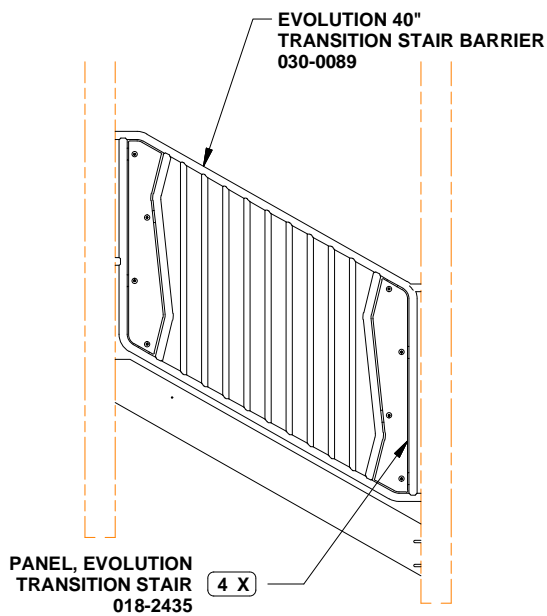
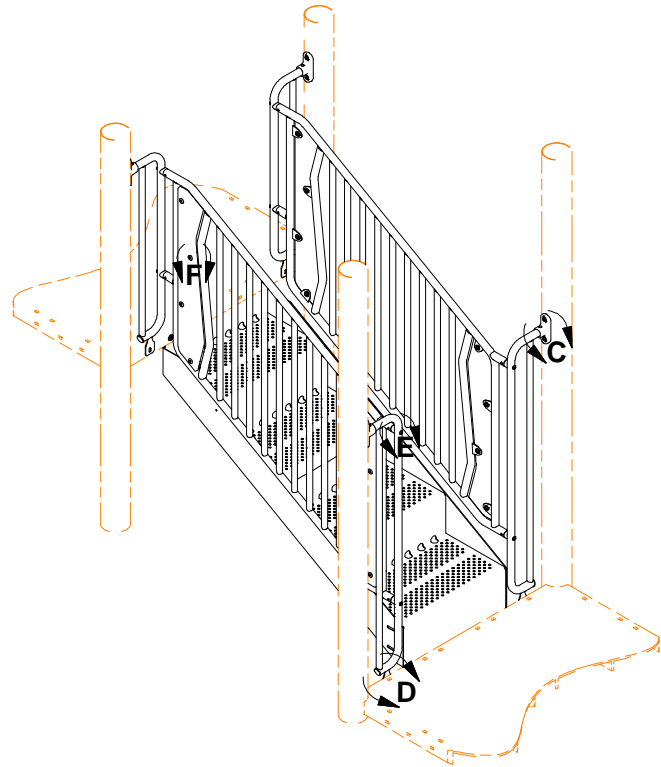
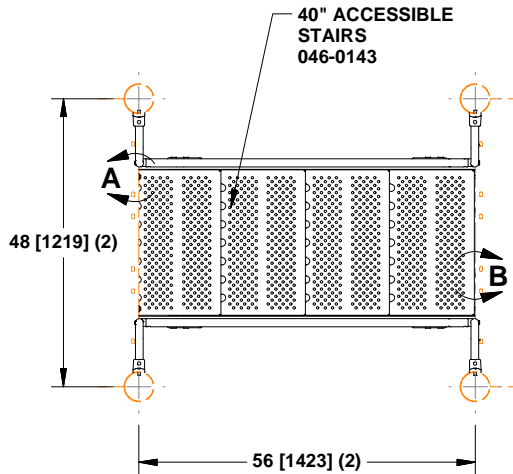
SHIPPING WEIGHT: 40 LBS.

INSTALLATION INSTRUCTIONS

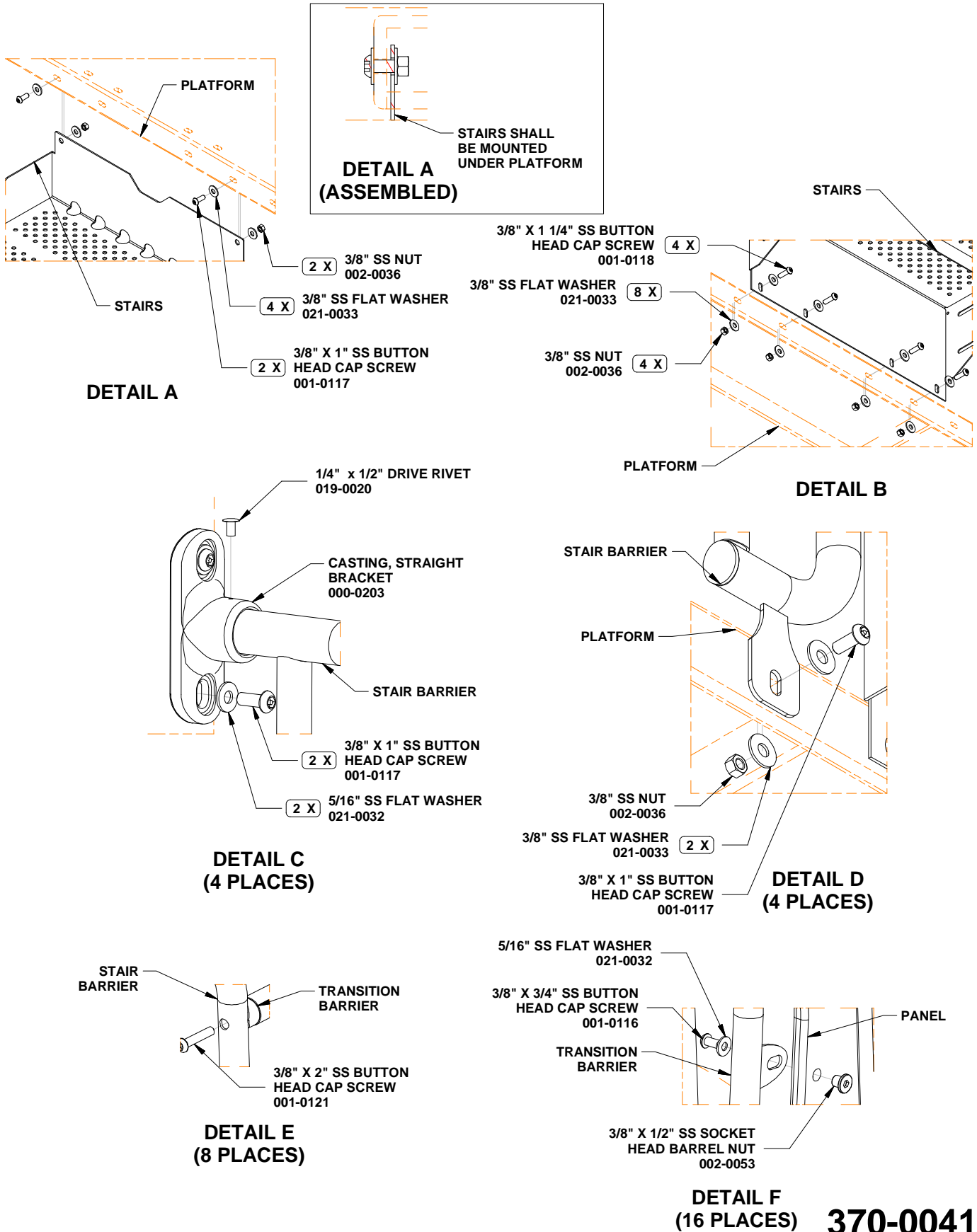
NOTE: PVC coating may need to be removed from mounting holes of parts before installation.

NOTE: Do not tighten hardware until instructed to do so.

1. Attach EVOLUTION CENTER MOUNT ENCLOSURE to posts using hardware specified in DETAIL A.
2. Attach bottom of enclosure to platform using hardware specified in DETAIL B.
3. **(Optional)** Plug any unused threaded inserts using hardware specified in DEATAIL C.
4. Tighten all hardware.



370-0041 EVOLUTION 40" TRANSITION STAIR W/ BARRIERS



EVOLUTION 40" TRANSITION STAIR W/ BARRIERS

370-0041

PARTS LIST

PART NO.	DESCRIPTION	QTY
000-0203	CASTING, STRAIGHT BRACKET	4
018-2435	PANEL, EVOLUTION TRANSITION STAIR	4
030-0089	EVOLUTION 40" TRANSITION STAIR BARRIER	2
030-1698	TOP STAIR BARRIER	2
030-1746	BOTTOM STAIR TRANSITION BARRIER	2
036-0877	HARDWARE PACKAGE	8
036-1125	HARDWARE PACKAGE	1
046-0143	40" ACCESSIBLE STAIRS	1

NOTE: Hardware package(s) may include extra hardware that is not necessary for this installation.

SPECIFICATIONS

CASTING, STRAIGHT BRACKET: A356-T6 Aluminum, Heat-Treated. Finished with baked on powder coating.

PANEL, EVOLUTION TRANSITION STAIR: 3/4" Extruded HDPE.

EVOLUTION 40" TRANSITION STAIR BARRIER; TOP STAIR BARRIER; BOTTOM STAIR TRANSITION BARRIER: One piece all welded construction consisting of 1.315" OD x 12 GA and 1.029" OD x 14 GA galvanized steel tubing, and 10 GA galvanized steel plate. Finished with a baked on powder coating.

HARDWARE PACKAGE; HARDWARE PACKAGE: Stainless Steel.

40" ACCESSIBLE STAIRS: One piece all welded construction consisting of 12 GA HRPO steel surfaces, sides, and gussets. PVC coated after fabrication.

SHIPPING WEIGHT: 301 LBS.

INSTALLATION INSTRUCTIONS

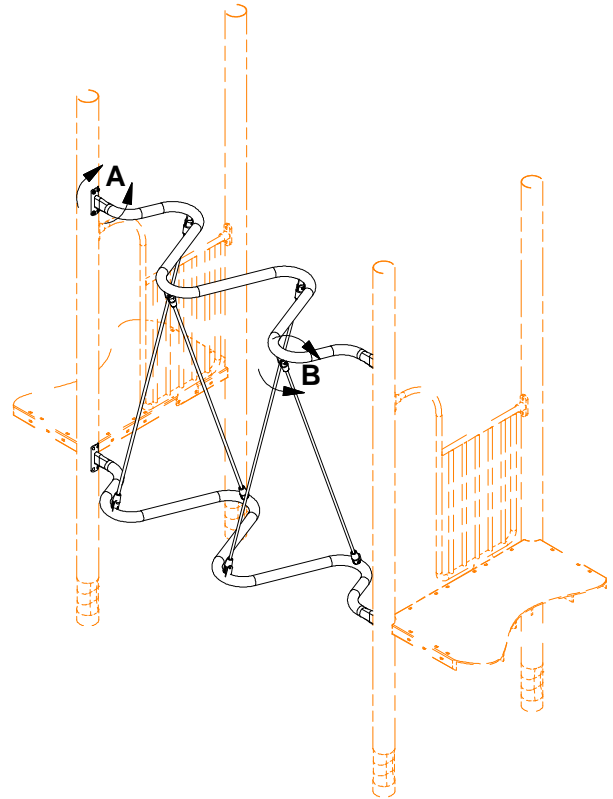
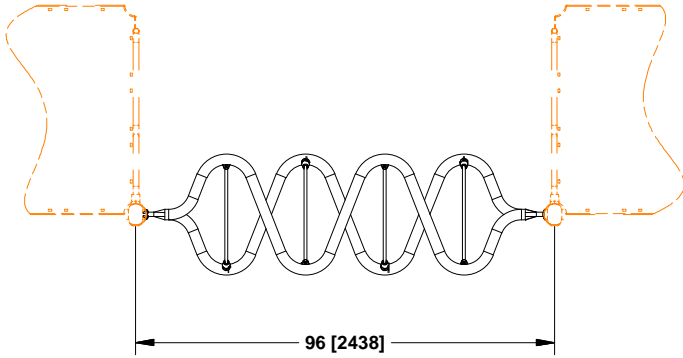
NOTE: PVC coating may need to be removed from mounting holes of parts before installation.

NOTE: Do not tighten hardware until instructed to do so.

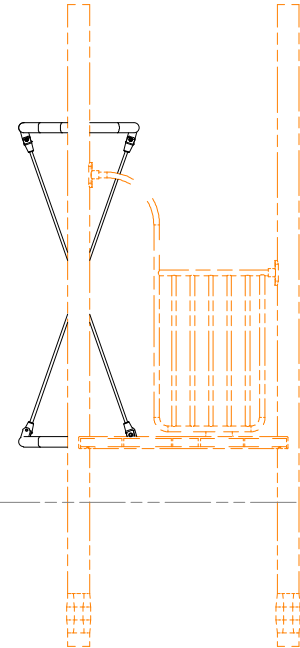
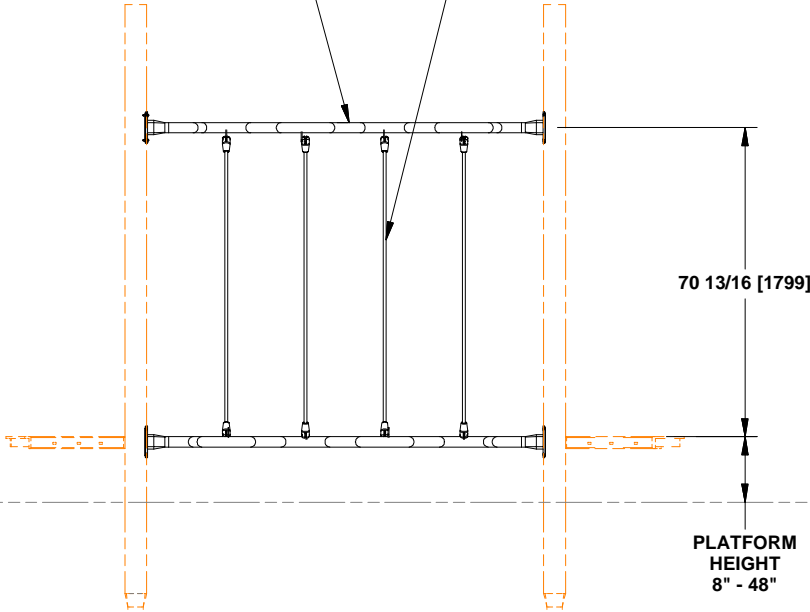
1. Attach 40" ACCESSIBLE STAIRS to upper platform using hardware specified in DETAIL A. **NOTE: Make sure the stairs are centered between the posts.**
2. Attach stairs to lower platform using hardware specified in DETAIL B. **NOTE: Make sure the stairs are centered between the posts.**
3. Attach CASTING, STRAIGHT BRACKET to posts using hardware specified in DETAIL C.
4. Sleeve TOP STAIR BARRIER and BOTTOM STAIR TRANSITION BARRIER into the castings shown in DETAIL C. Attach the stair barriers to the platforms using hardware specified in DETAIL D.
5. Attach EVOLUTION 40" TRANSITION STAIR BARRIER to the top and bottom barrier using hardware specified in DETAIL E.
6. Attach PANEL, EVOLUTION TRANSITION STAIR to evolution barrier using hardware specified in DETAIL F. Panels should attach on the side away from the stairs.
7. Tighten all hardware.
8. Drill 1/4" diameter hole through the castings and barriers, using the pilot hole in the castings. Drive in rivet, as specified in DETAIL C, until center pin is flush.



UNLESS OTHERWISE SPECIFIED, ALL DIMENSIONS ARE INCHES WITH MILLIMETER EQUIVALENT INSIDE [] BRACKETS.



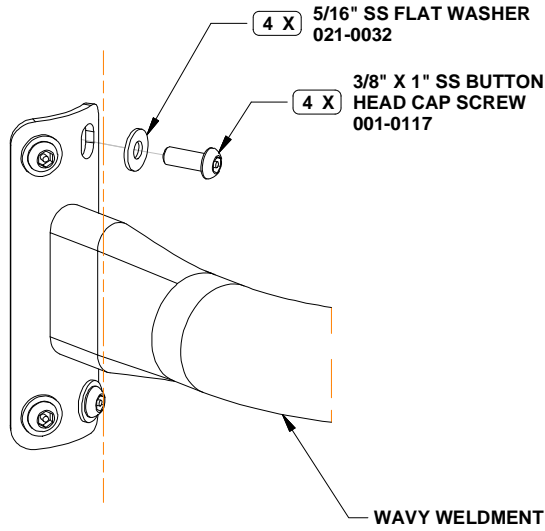
WAVY WELDMENT 030-0192 2 X
ROPE ASSEMBLY, SINGLE, 71 3/4" 020-0016 4 X



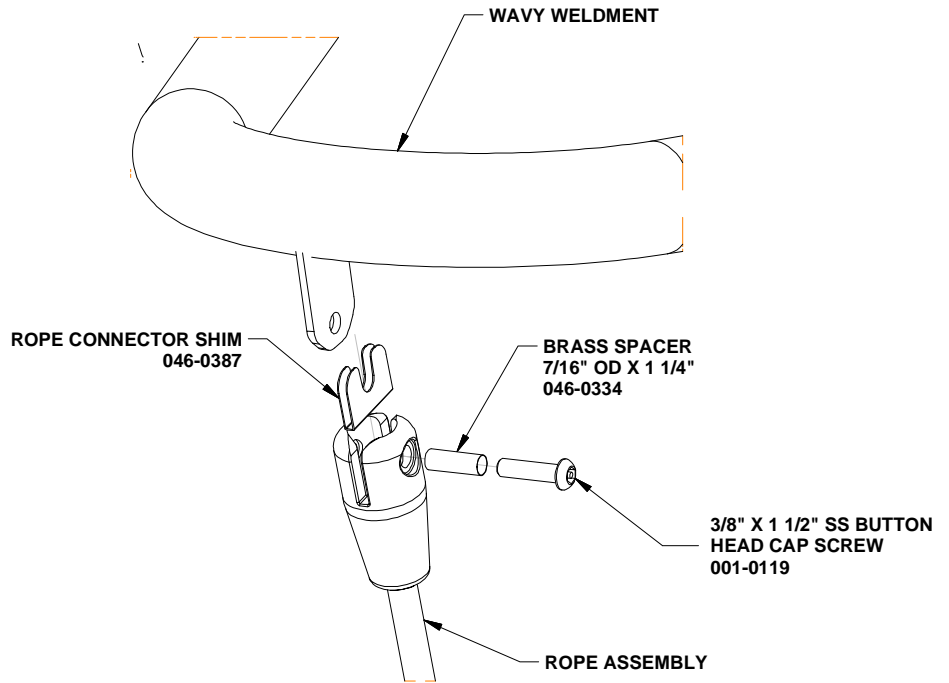
370-0808 TWISTING TRAVERSE



UNLESS OTHERWISE SPECIFIED, ALL DIMENSIONS ARE INCHES WITH MILLIMETER EQUIVALENT INSIDE [] BRACKETS.



**DETAIL A
(4 PLACES)**



**DETAIL B
(8 PLACES)**

370-0808 TWISTING TRAVERSE

PARTS LIST

<u>PART NO.</u>	<u>DESCRIPTION</u>	<u>QTY</u>
020-0016	ROPE ASSEMBLY, SINGLE, 71 3/4"	4
030-0192	WAVY WELDMENT	2
036-0818	INTENSITY SHIM PACKAGE	2
036-1311	HARDWARE PACKAGE	3
046-0334	BRASS SPACER 7/16" OD X 1 1/4"	8

NOTE: Hardware package(s) may include extra hardware that is not necessary for this installation.

SPECIFICATIONS

ROPE ASSEMBLY, SINGLE, 71 3/4": Rope consists of 6 right hand, regular lay strands, closed around a synthetic fiber core, with each preformed strand consisting of 8 galvanized steel wires tightly covered with multifilament polypropylene fibers. Aluminum end connectors and ferrules with stainless steel screws.

WAVY WELDMENT: All welded constructions consisting of 2.375" OD x 12 GA galvanized steel tubing, 7 GA stainless steel sheet & 8 GA galvanized steel sheet. Finished with a baked on powder coating.

INTENSITY SHIM PACKAGE: Black thermoplastic.

HARDWARE PACKAGE: Stainless steel.

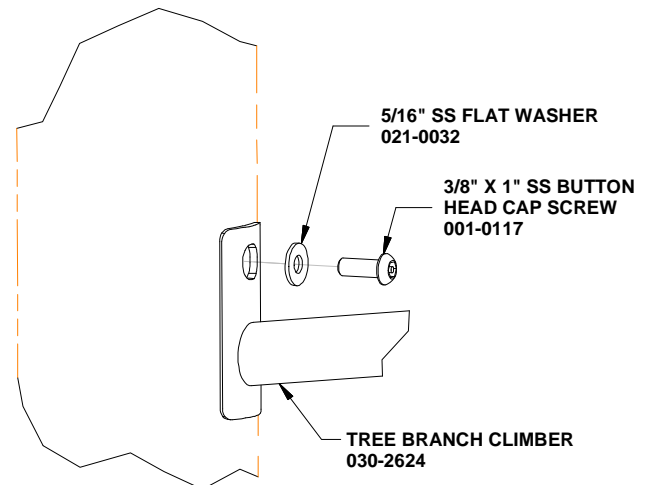
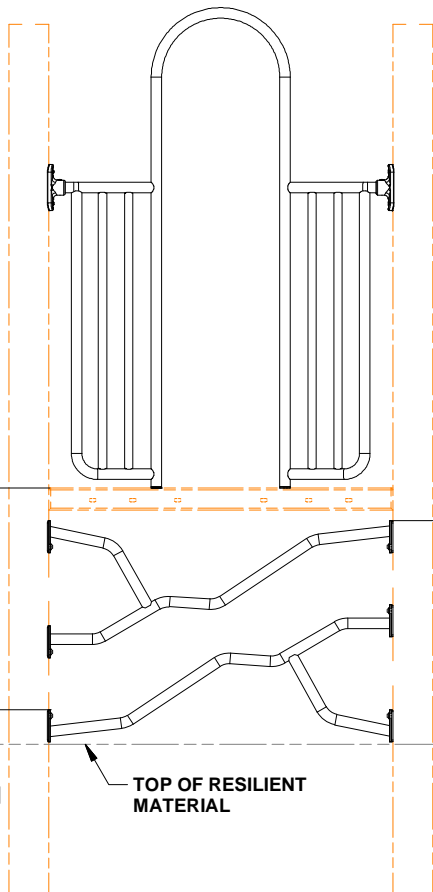
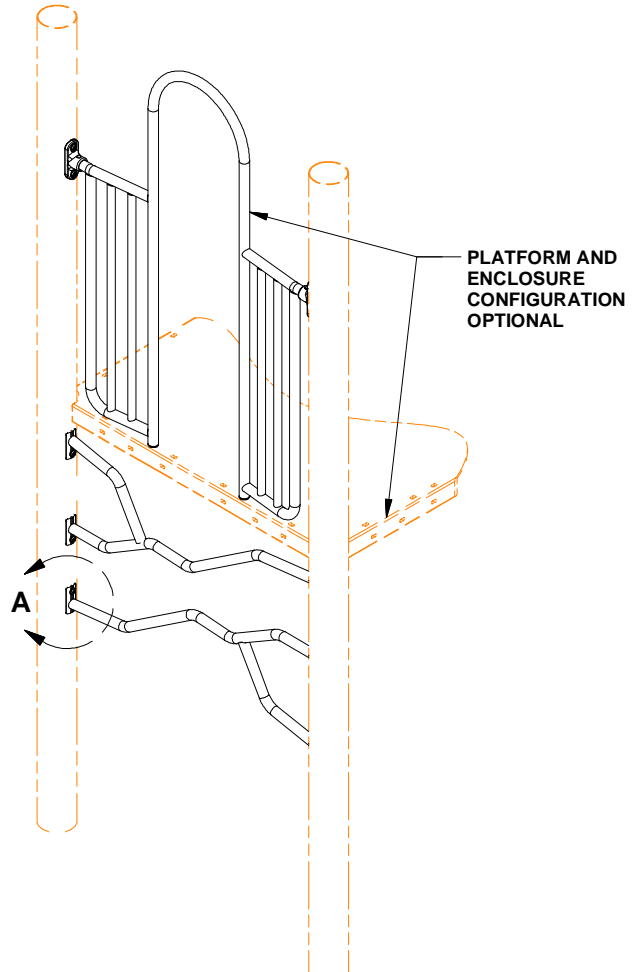
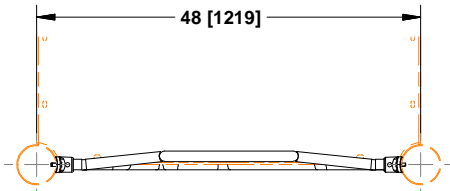
BRASS SPACER 7/16" OD X 1 1/4": Brass Tube 7/16" OD X .028" Wall

SHIPPING WEIGHT: 103 LBS.

INSTALLATION INSTRUCTIONS

NOTE: Do not tighten hardware until instructed to do so.

1. Locate mounting holes for WAVY WELDMENT on posts.
2. Attach wavy weldment to posts using hardware specified in DETAIL A.
3. Attach ROPE ASSEMBLY, SINGLE, 71 3/4" to wavy weldments using hardware specified in DETAIL B.
4. Tighten all hardware.
5. **Install resilient material in accordance to installation guidelines, ASTM standards and CPSC guidelines.**



DETAIL A
(6 PLACES)

370-0860 TREE BRANCH CLIMBER 32"

PARTS LIST

<u>PART NO.</u>	<u>DESCRIPTION</u>	<u>QTY</u>
030-2624	TREE BRANCH CLIMBER	2
036-0040	HARDWARE PACKAGE	2

NOTE: Hardware package(s) may include extra hardware that is not necessary for this installation.

SPECIFICATIONS

TREE BRANCH CLIMBER: One piece all welded construction consisting of 1.315" OD x 12 GA galvanized steel tubing, and 7 GA stainless steel sheet. Finished with a baked on powder coating.

HARDWARE PACKAGE: Stainless Steel.

SHIPPING WEIGHT: 17 LBS.

INSTALLATION INSTRUCTIONS

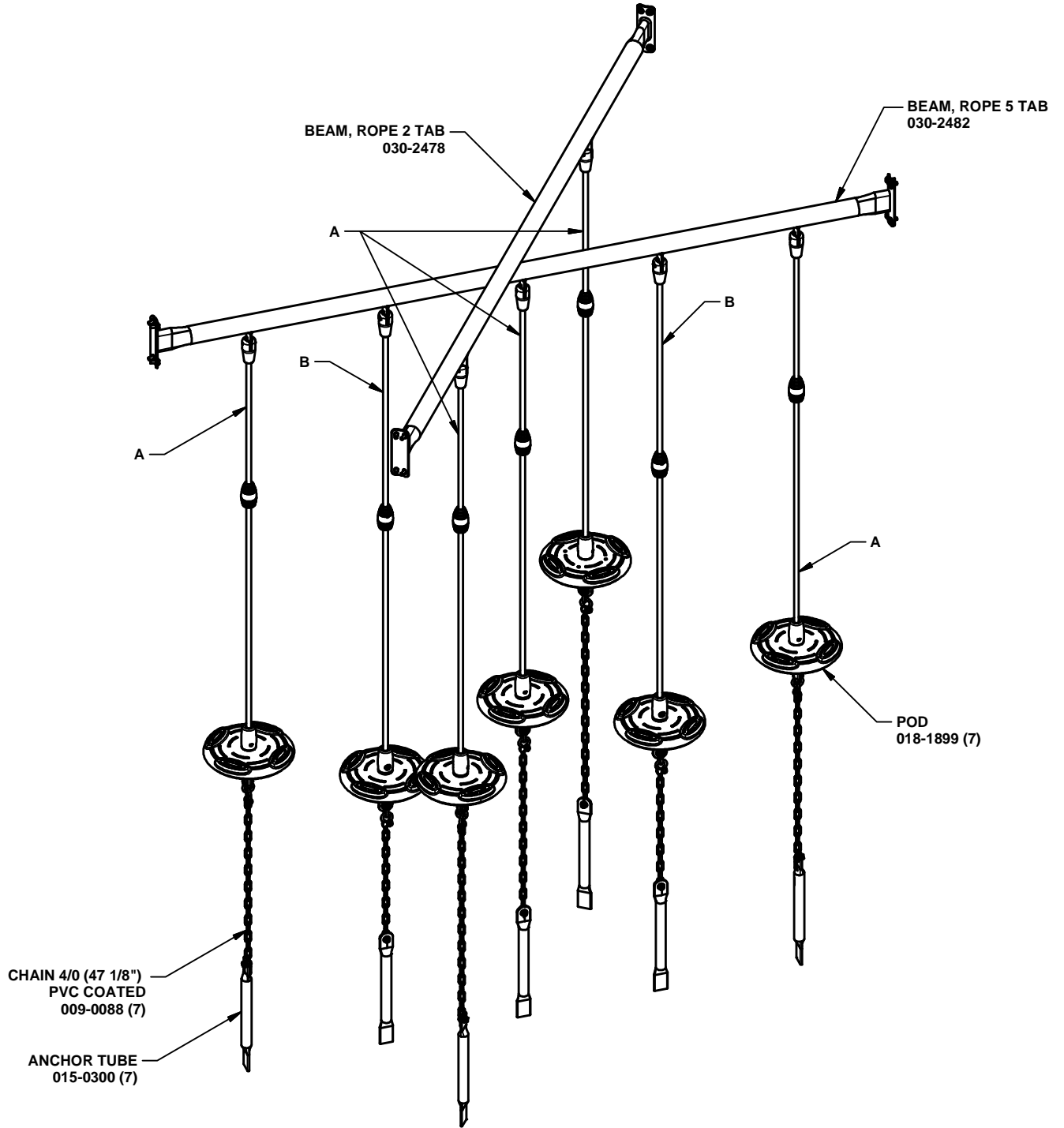
NOTE: Do not tighten hardware until instructed to do so.

1. Locate correct post to assemble climber to, from site plan.
2. Attach climber to post using hardware specified in DETAIL A. Repeat for remaining climbers.
3. Tighten all hardware.
4. Install resilient material in accordance to installation guidelines, ASTM standards and CPSC guidelines.

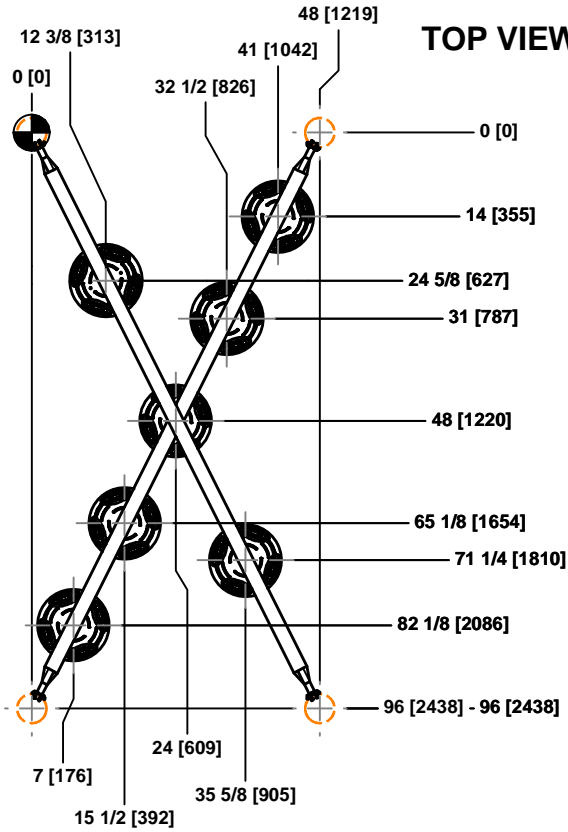
ROPE NOTES:

ROPE A - 020-0071 (5) ROPE ASSEMBLY, DISC TO TAB 64 1/8"
ROPE B - 020-0084 (2) ROPE ASSEMBLY, DISC TO TAB 72 1/4"

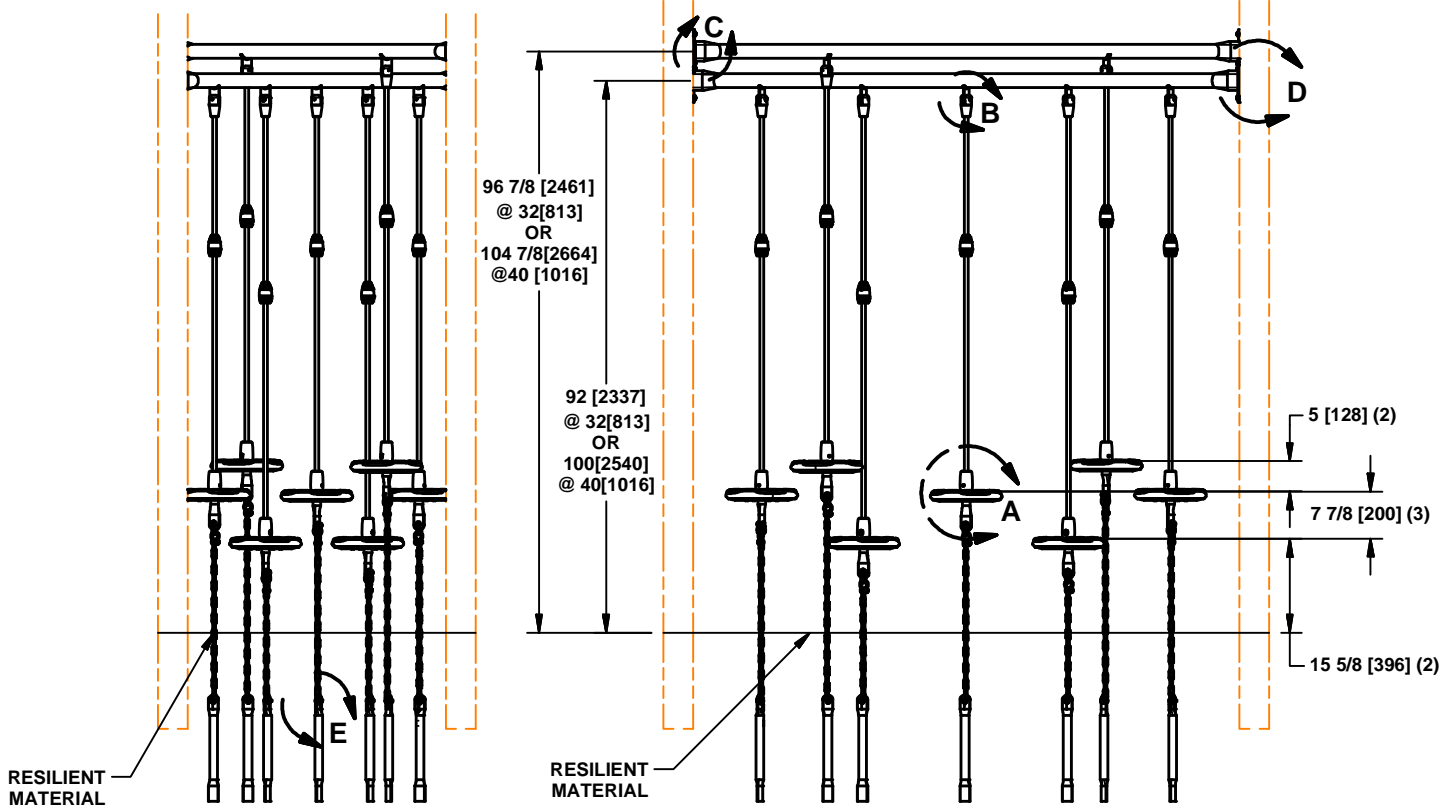
ISO VIEW



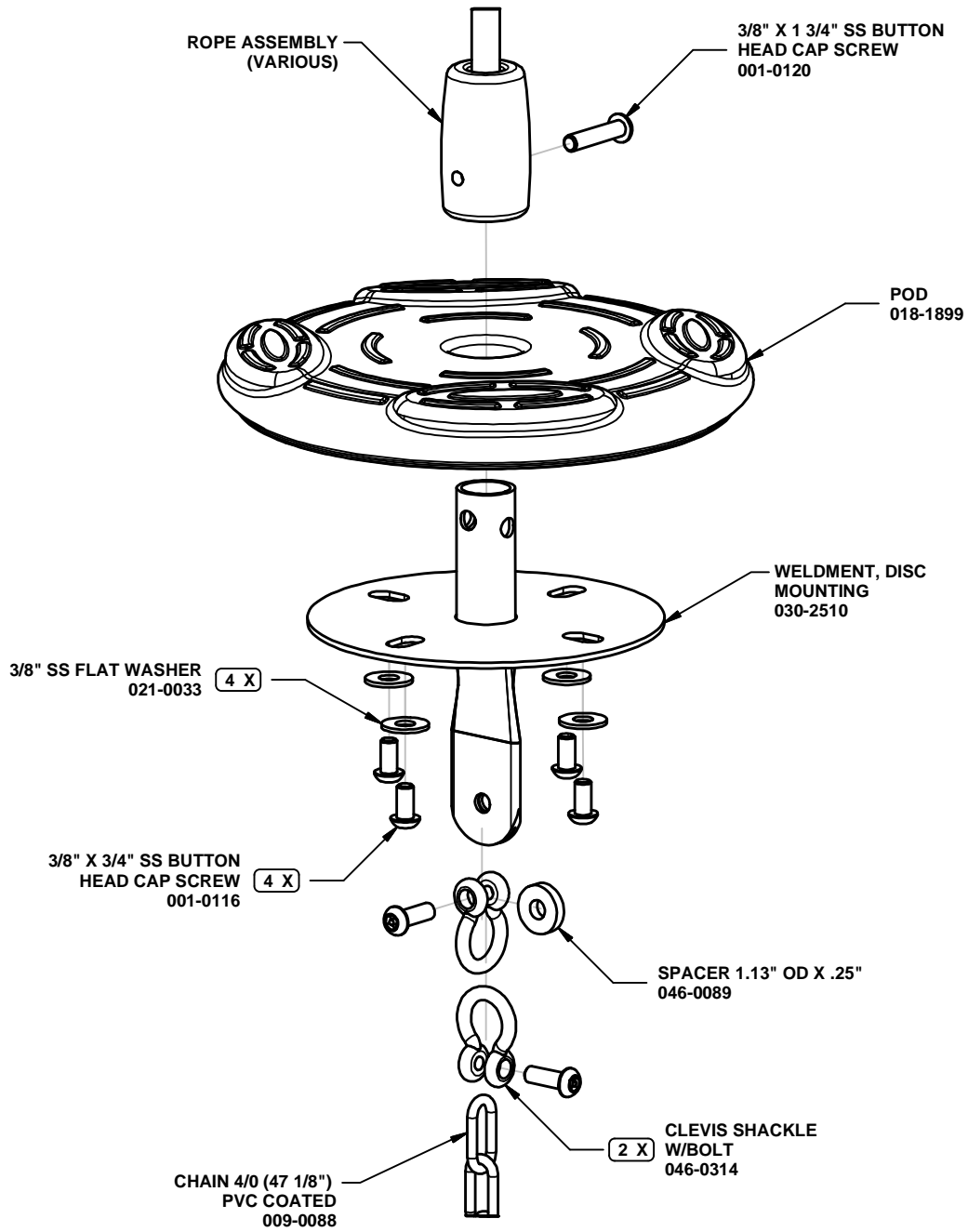
370-1593 PODSTEP LINK



CAN BE USED
NEXT TO
DECK HEIGHTS
32"[813] & 40"[1016]

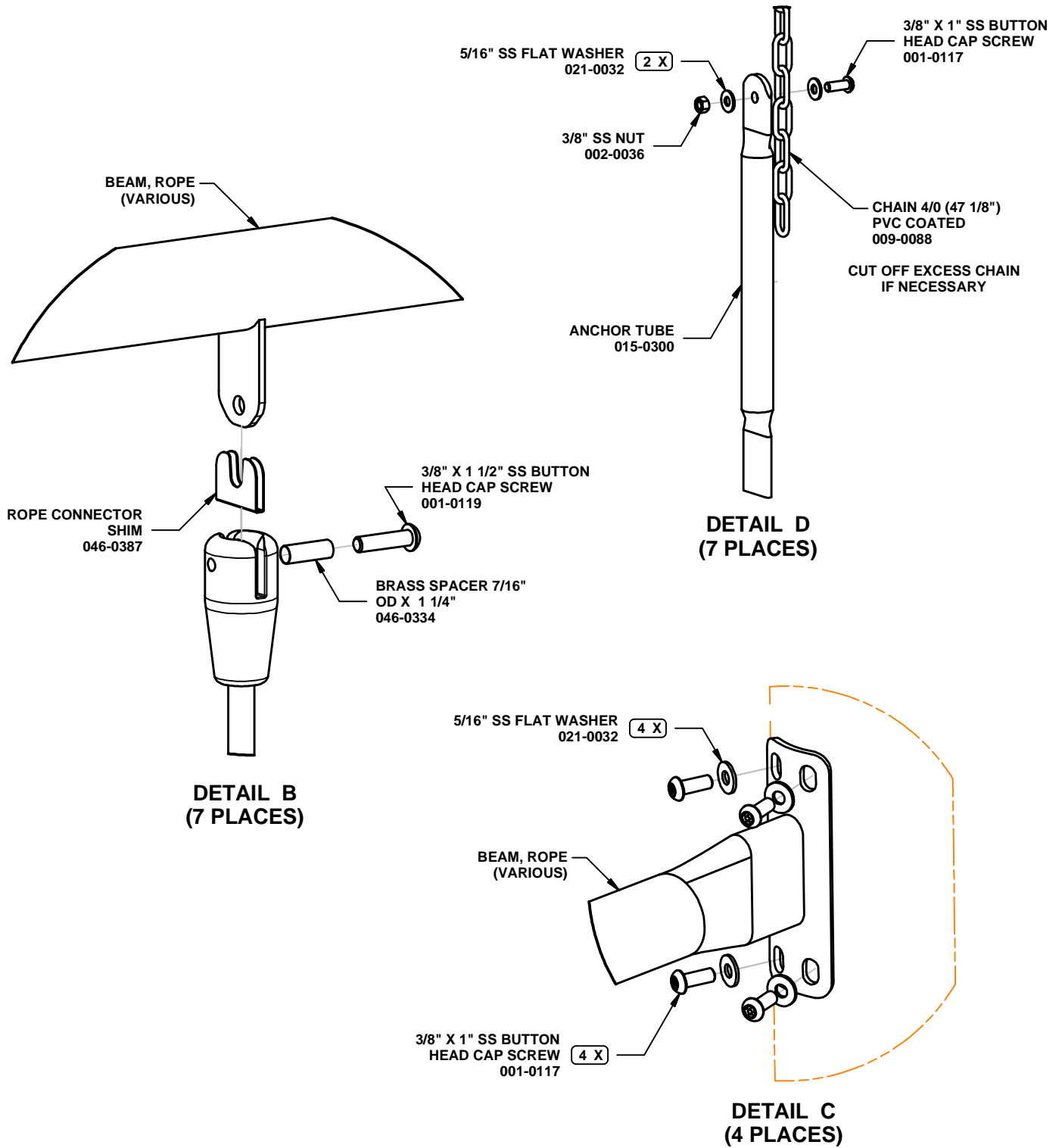


370-1593 PODSTEP LINK



DETAIL A
(7 PLACES)

370-1593 PODSTEP LINK



370-1593 PODSTEP LINK

PARTS LIST

PART NO.	DESCRIPTION	QTY
009-0088	CHAIN 4/0 (47 1/8") PVC COATED	7
015-0300	ANCHOR TUBE	7
018-1899	POD	7
020-0071	ROPE ASSEMBLY, DISC TO TAB 64 1/8"	5
020-0084	ROPE ASSEMBLY, DISC TO TAB 72 1/4"	2
030-2478	BEAM, ROPE 2 TAB	1
030-2482	BEAM, ROPE 5 TAB	1
030-2510	WELDMENT, DISC MOUNTING	7
036-2010	HARDWARE PACKAGE	1
046-0089	SPACER 1.13" OD X .25"	7
046-0291	LOCTITE	1
046-0314	CLEVIS SHACKLE W/BOLT	14
046-0334	BRASS SPACER 7/16" OD X 1 1/4"	7

NOTE: Hardware package(s) may include extra hardware that is not necessary for this installation.

SPECIFICATIONS

CHAIN 4/0 (47 1/8") PVC COATED : 3/8" diameter, 4/0 straight coil chain, PVC coated after fabrication.

ANCHOR TUBE : 1.315" OD x 12 GA galvanized steel tubing.

POD: 1/4" thick, linear, low density, rotationally molded, U.V. stabilized polyethylene with double wall construction.

ROPE ASSEMBLY, DISC TO TAB 72 1/4"; ROPE ASSEMBLY, DISC TO TAB 64 1/8": Rope consists of 6 right hand, regular lay strands, closed around a synthetic fiber core, with each preformed strand consisting of 8 galvanized steel wires tightly covered with polyester fibers. Aluminum grip, end connectors, and ferrules with stainless steel screws.

BEAM, ROPE 2 TAB; BEAM, ROPE 5 TAB: One piece all welded construction consisting of 2.375" OD x 10 GA galvanized steel tubing, 8 GA mounting brackets. Finished with a baked on powder coating.

HARDWARE PACKAGE: Stainless steel and black thermoplastic.

SPACER 1.13" OD X .25": 1/4" Nylatron GS.

CLEVIS SHACKLE W/BOLT: 5/16" Shackle with a 3/8" X 1 1/2" bolt.

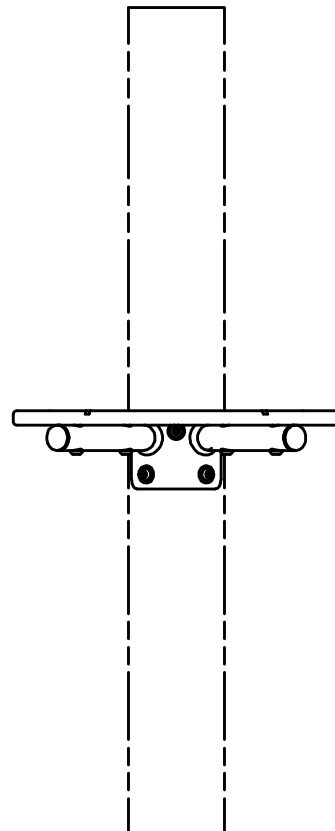
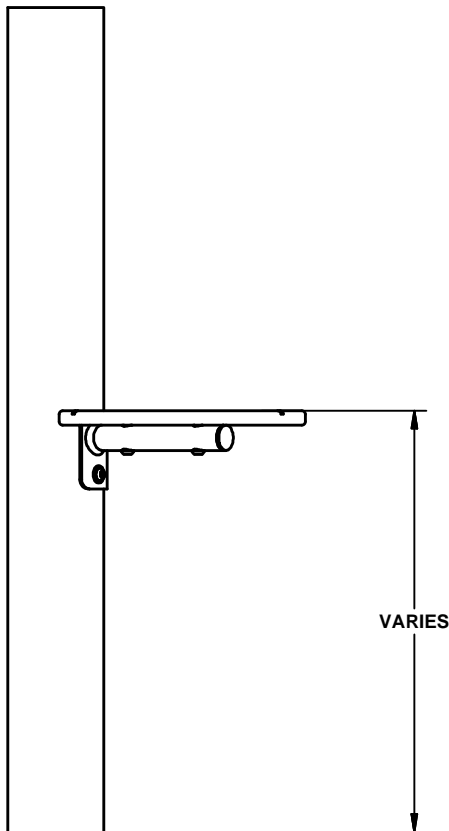
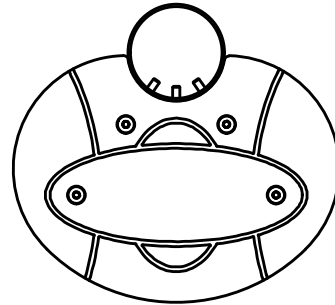
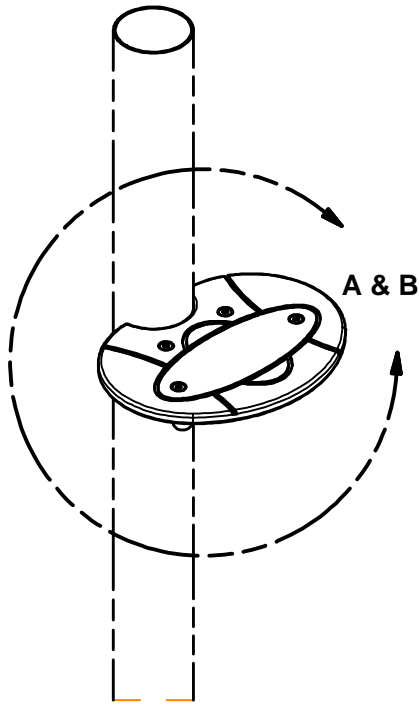
BRASS SPACER 7/16" OD X 1 1/4": Brass Tube 7/16" OD X .028" Wall.

SHIPPING WEIGHT: 152 LBS.

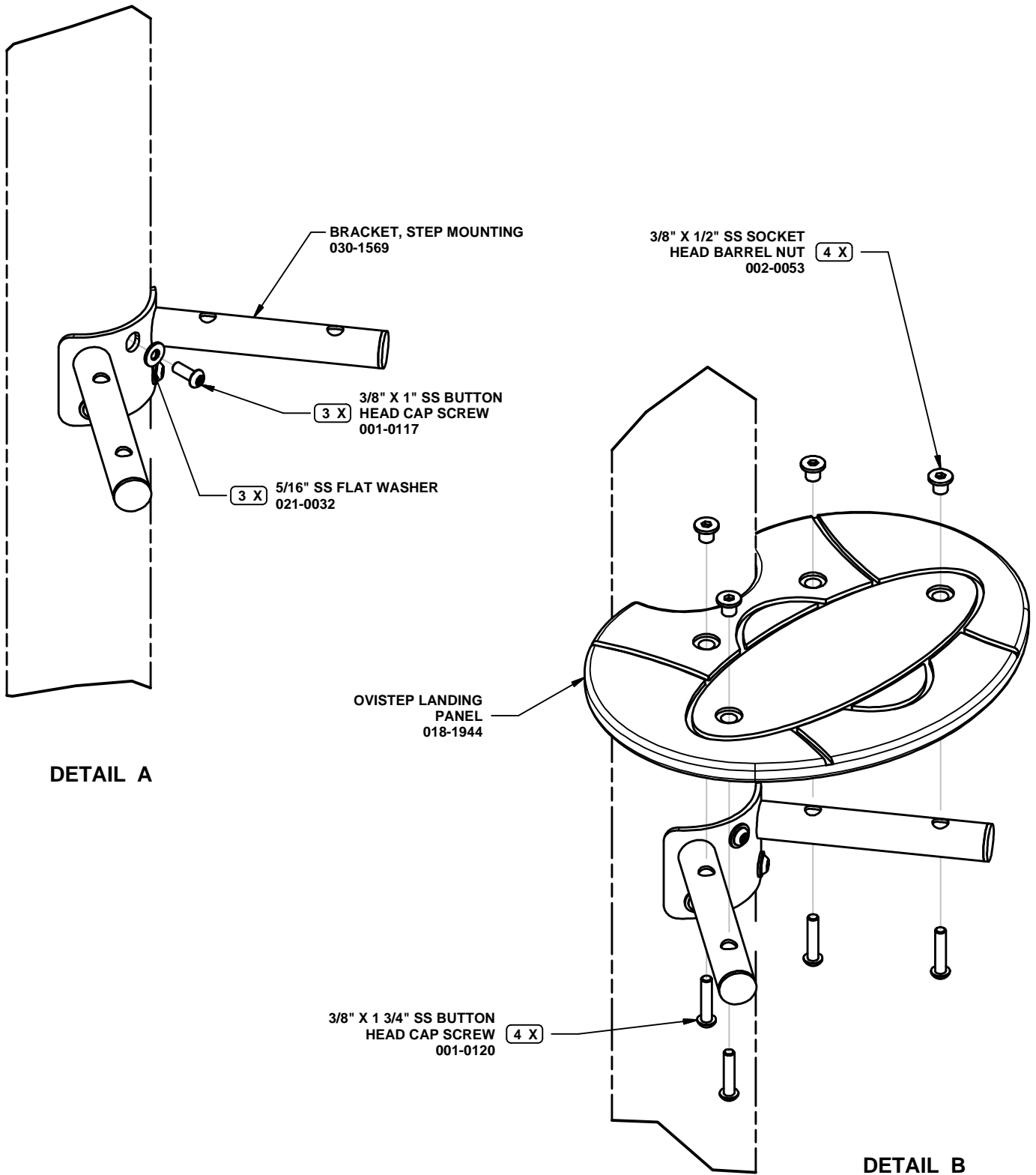
INSTALLATION INSTRUCTIONS

NOTE: Do not tighten hardware until instructed to do so.

1. Dig footing holes per dimensions shown in the top view. See typical concrete footing details, which are located in the preface of your installation manual.
2. Attach BEAM, ROPE 2 TAB to 5" OD POST using HARDWARE as shown in DETAIL C.
3. Attach BEAM, ROPE 5 TAB to 5" OD POST using HARDWARE as shown in DETAIL C.
4. Attach POD to WELDMENT, DISC MOUNTING and ROPE ASSEMBLY, DISC TO TAB 72 1/4", or ROPE ASSEMBLY, DISC TO TAB 64 1/8" using HARDWARE as shown in DETAIL A.
5. Attach WELDMENT, DISC MOUNTING to CHAIN 4/0 (47 1/8") PVC COATED with two CLEVIS SHACKLES W/BOLT and SPACER 1.13" OD X .25" as shown in DETAIL A.
6. Partially remove each bolt from CLEVIS SHACKLE W/BOLT, apply Loctite to threads and tighten bolt.
7. Attach CHAIN 4/0 (47 1/8") PVC COATED to ANCHOR TUBE using HARDWARE as shown in DETAIL D.
8. Attach ROPE ASSEMBLY, DISC TO TAB 64 1/8" and ROPE ASSEMBLY, DISC TO TAB 72 1/4" to BEAM, ROPE 2 TAB and BEAM, ROPE 5 TAB using HARDWARE as shown in DETAIL B and ISO VIEW.
9. Block-up, level and plumb component.
10. Tighten all hardware.
11. Pour concrete. Let set for two to three days.
12. **MAKE SURE ROPES ARE TAUT.** If some are not taut, remove bolts from ANCHOR TUBE as shown in DETAIL D and put it through the next higher link. Tighten the bolts again.
13. **Install resilient material in accordance to installation guidelines, ASTM standards and CPSC guidelines.**



370-1608 OVISTEP LAUNCH PAD



370-1608 OVISTEP LAUNCH PAD

PARTS LIST

<u>PART NO.</u>	<u>DESCRIPTION</u>	<u>QTY</u>
018-1944	OVISTEP LANDING PANEL	1
030-1569	BRACKET, STEP MOUNTING	1
036-1305	HARDWARE PACKAGE	1

NOTE: Hardware package(s) may include extra hardware that is not necessary for this installation.

SPECIFICATIONS

OVISTEP LANDING PANEL: 3/4" co-extruded HDPE.

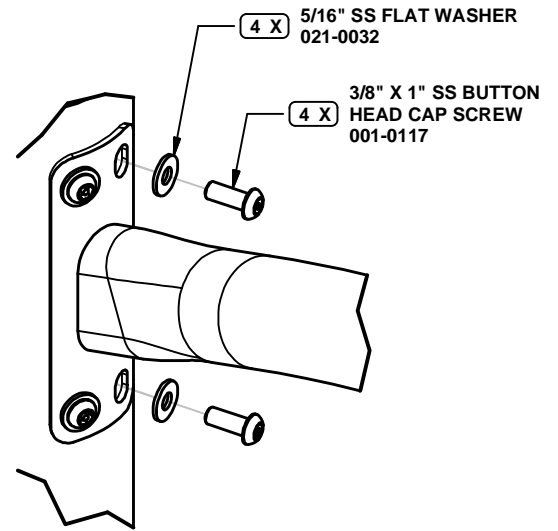
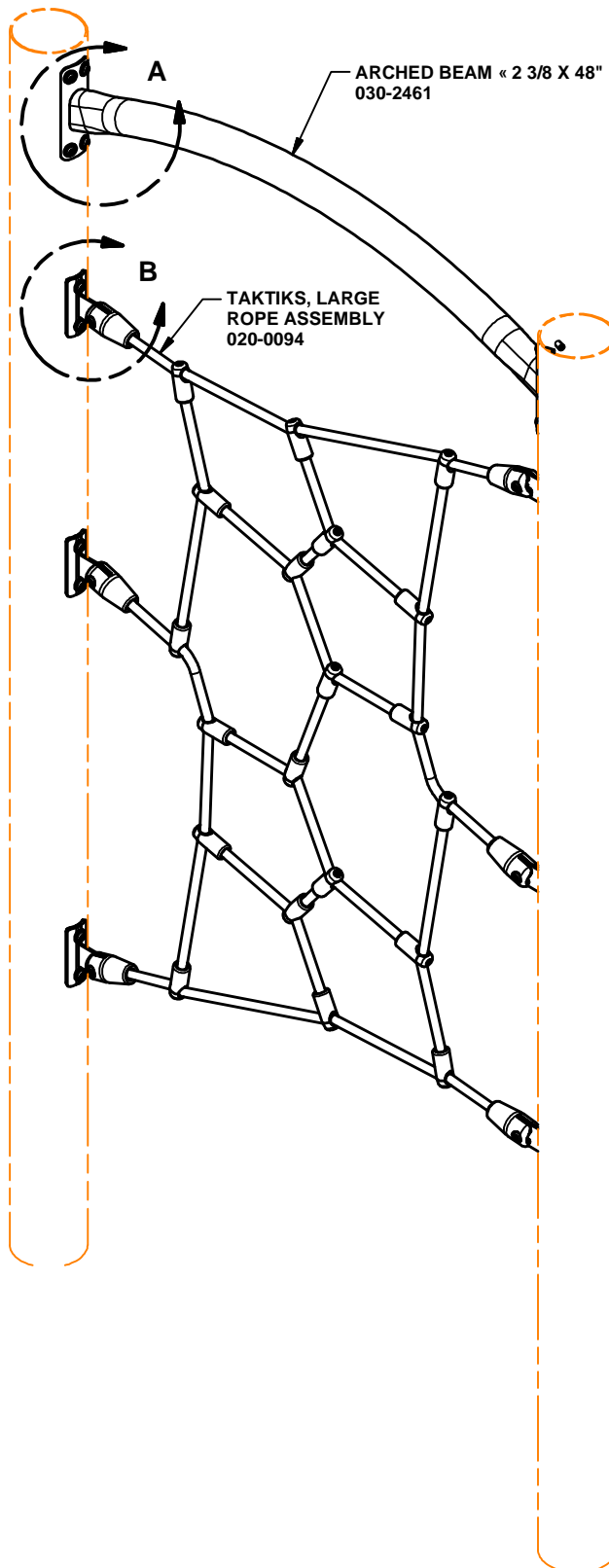
BRACKET, STEP MOUNTING: One piece all welded construction consisting of 10 GA galvanized sheet steel, 7 GA stainless steel sheet and 1.315" OD x 12 GA galvanized steel tubing. Finished with a baked on powder coating.

HARDWARE PACKAGE: Stainless steel.

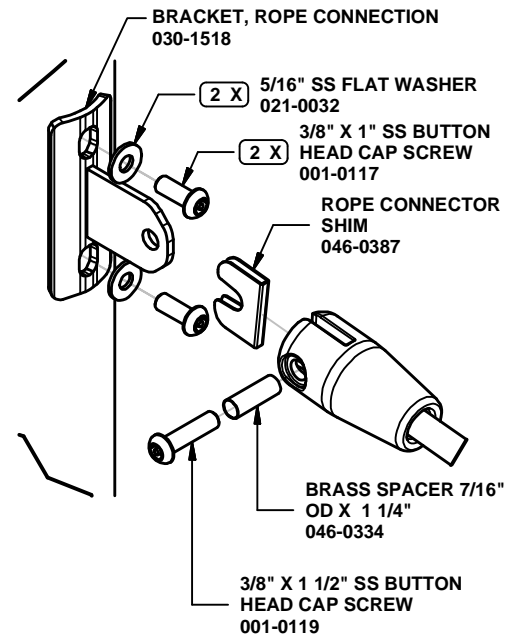
SHIPPING WEIGHT: 9.55 LBS.

INSTALLATION INSTRUCTIONS

1. Attach STEP MOUNTING BRACKET to post using hardware specified in DETAIL A.
2. Attach OVISTEP LANDING PANEL to Step Mounting Bracket using hardware specified in DETAIL B.
3. Plumb and level component. Tighten all hardware.
4. **INSTALL RESILIENT SURFACING MATERIAL IN ACCORDANCE TO INSTALLATION GUIDELINES.**

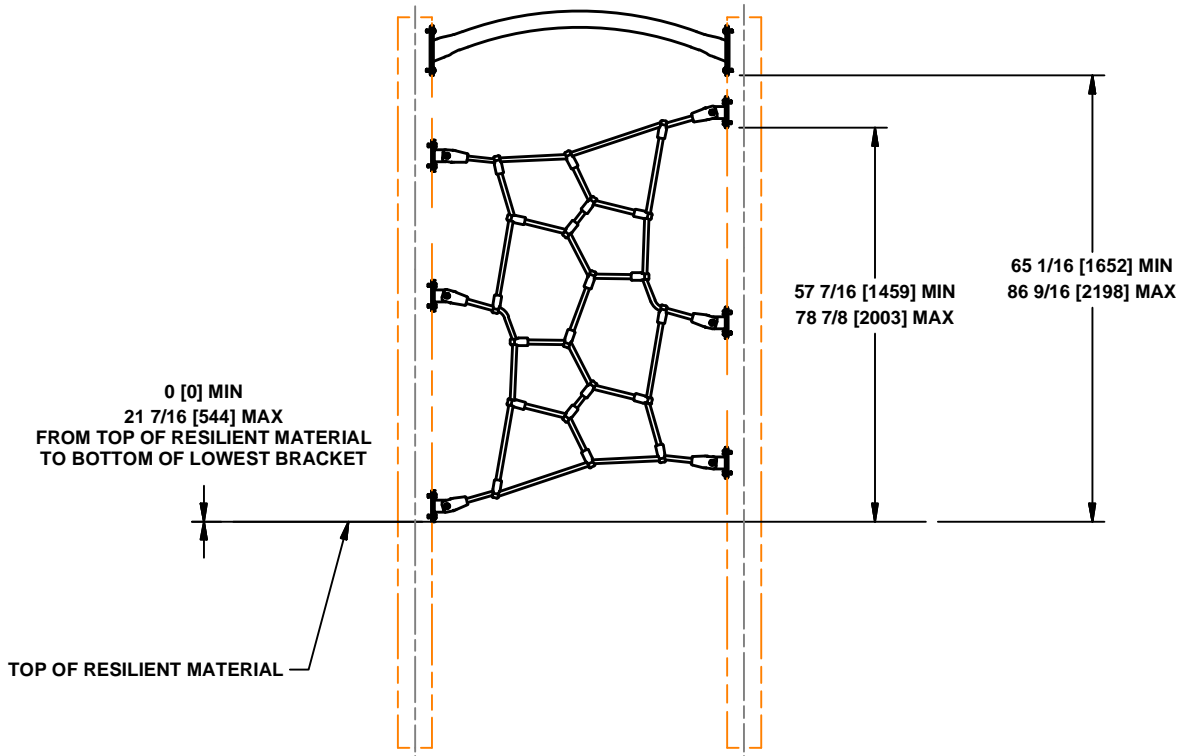
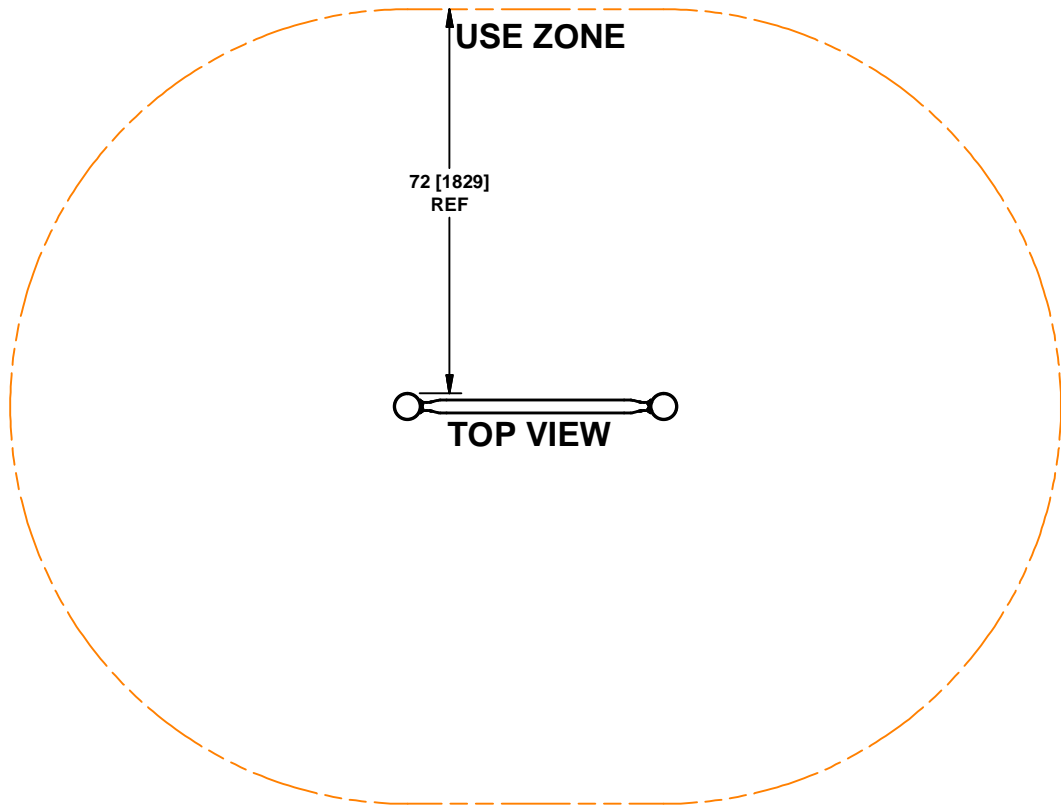


DETAIL A
(2 PLACES)



DETAIL B
(6 PLACES)

370-1616 TAKTIKS, TALL ROPE WALL



SIDE VIEW

370-1616 TAKTIKS, TALL ROPE WALL

PARTS LIST

PART NO.	DESCRIPTION	QTY
020-0094	TAKTIKS, LARGE ROPE ASSEMBLY	1
030-1518	BRACKET, ROPE CONNECTION	6
030-2461	ARCHED BEAM < 2 3/8 X 48"	1
036-0258	HARDWARE PACKAGE	4
036-0883	HARDWARE PACKAGE	3
046-0334	BRASS SPACER 7/16" OD X 1 1/4"	6

NOTE: Hardware package(s) may include extra hardware that is not necessary for this installation.

SPECIFICATIONS

TAKTIKS, LARGE ROPE ASSEMBLY: Rope consists of 6 right hand, regular lay strands, closed around a synthetic fiber core, with each preformed strand consisting of 8 galvanized steel wires tightly covered with polyester fibers. Aluminum end connectors and ferrules with stainless steel screws.

BRACKET, ROPE CONNECTION: One piece all welded construction consisting of a formed 3/16" stainless steel plate and a 8 GA galvanized steel sheet. Finished with a baked on powder coating.

ARCHED BEAM < 2 3/8 X 48": One piece all welded construction consisting of formed 2 3/8" OD x 10 GA galvanized steel tubing and 7 GA stainless steel sheet. Finished with a baked on powder coating.

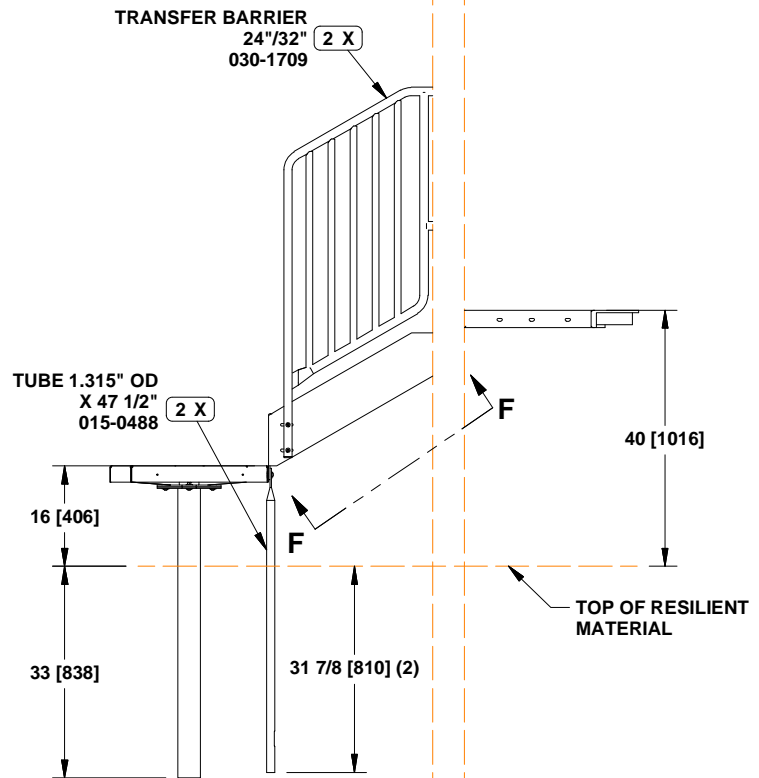
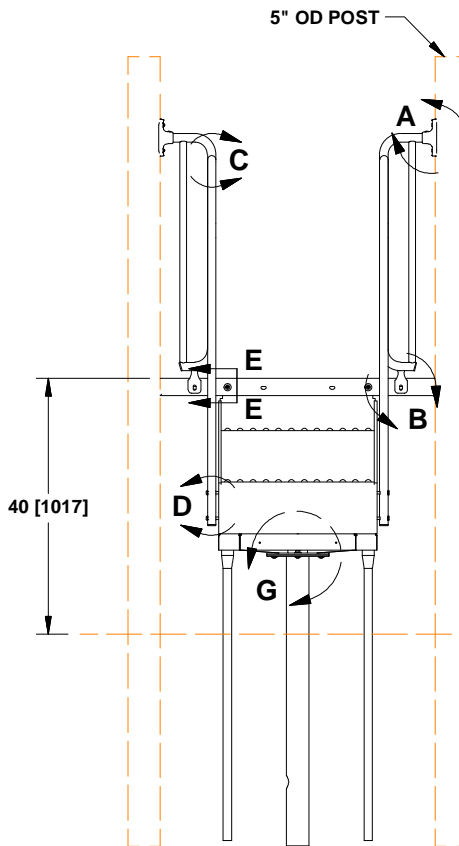
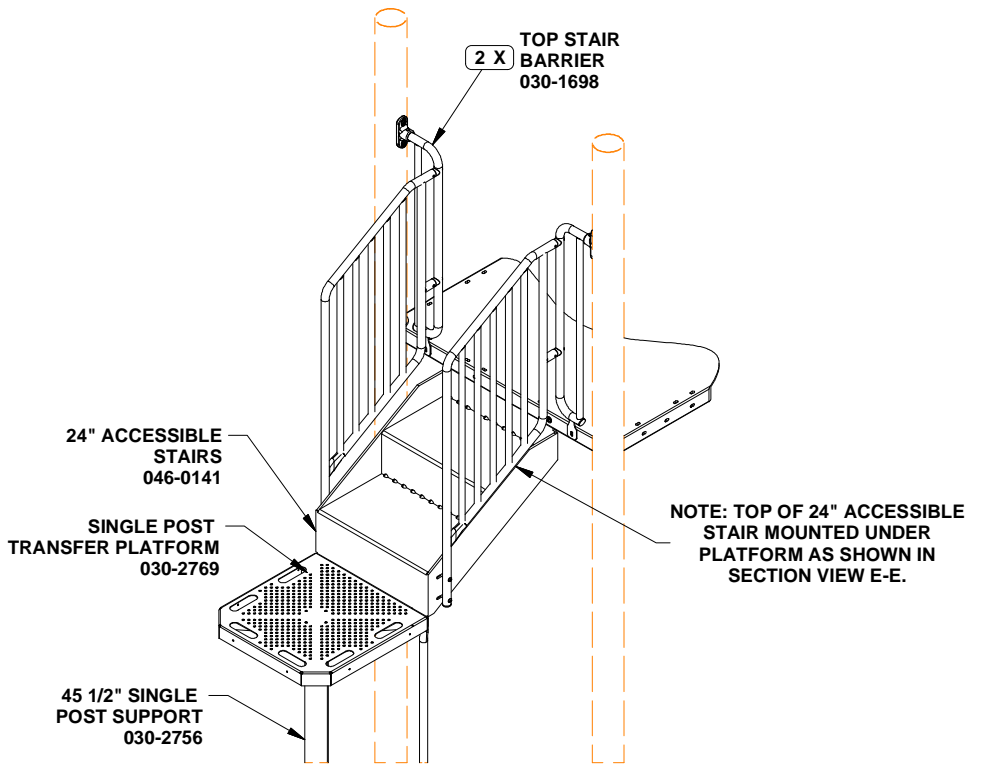
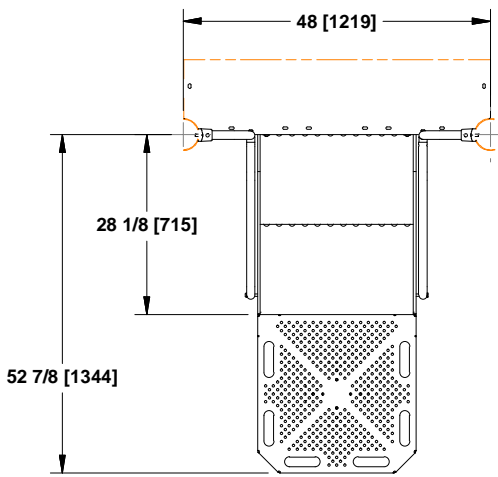
HARDWARE PACKAGE; HARDWARE PACKAGE: Stainless steel and black thermoplastic.

BRASS SPACER 7/16" OD X 1 1/4": Brass Tube 7/16" OD X .028" Wall

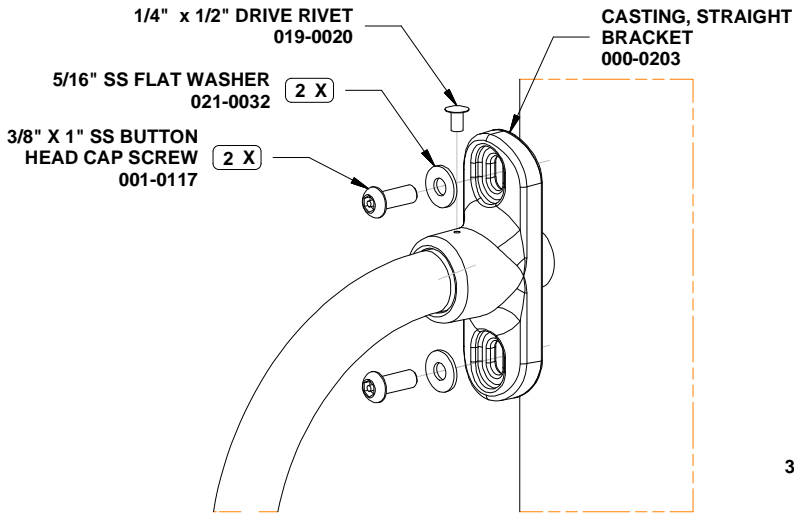
SHIPPING WEIGHT: 30 LBS.

INSTALLATION INSTRUCTIONS

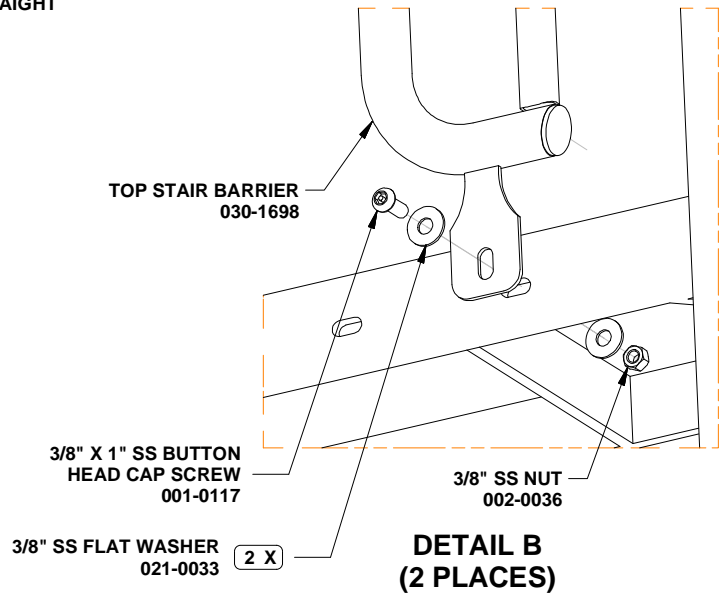
1. After posts have been installed, attach ARCHED BEAM < 2 3/8 X 48" to the posts using hardware specified in DETAIL A.
2. Attach TAKTIKS, LARGE ROPE ASSEMBLY and BRACKET, ROPE CONNECTION to the posts using hardware specified in DETAIL B.
3. **Install resilient material in accordance to installation guidelines, ASTM standards, and CPSC guidelines.**



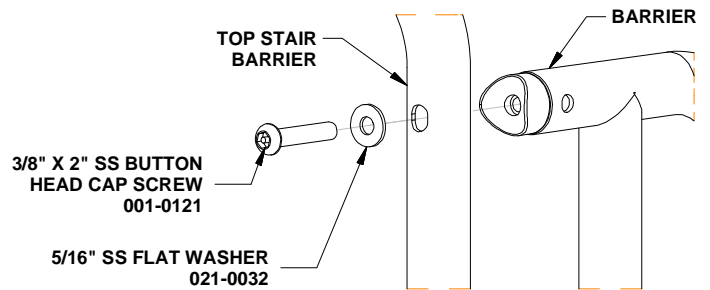
370-1661 TRANSFER STATION, BARRIER 40"



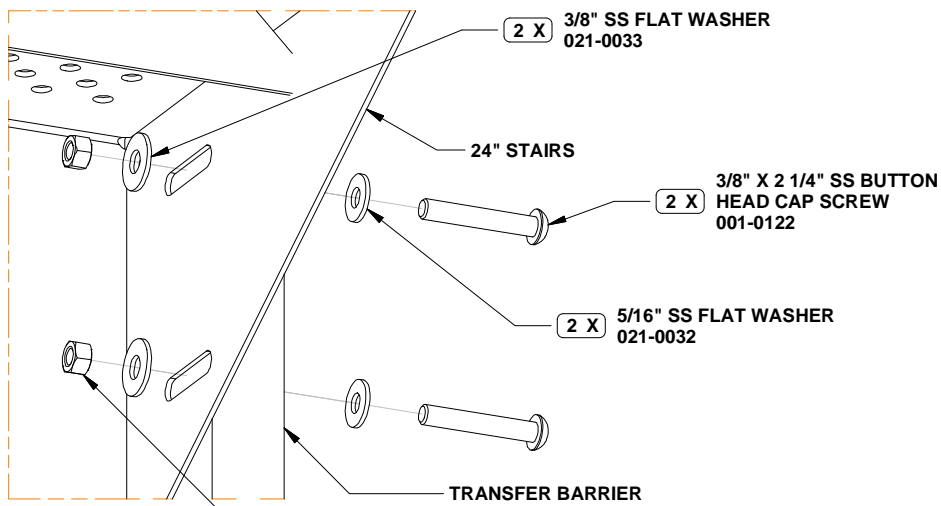
**DETAIL A
(2 PLACES)**



**DETAIL B
(2 PLACES)**



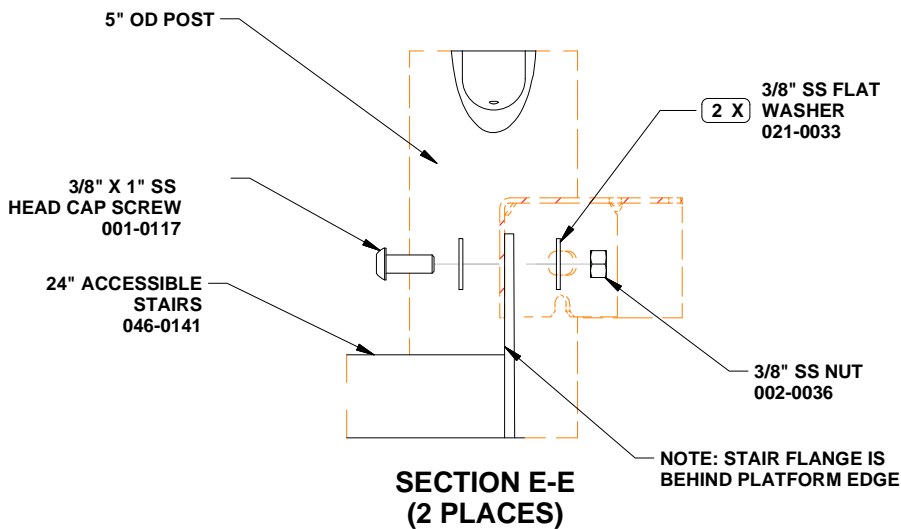
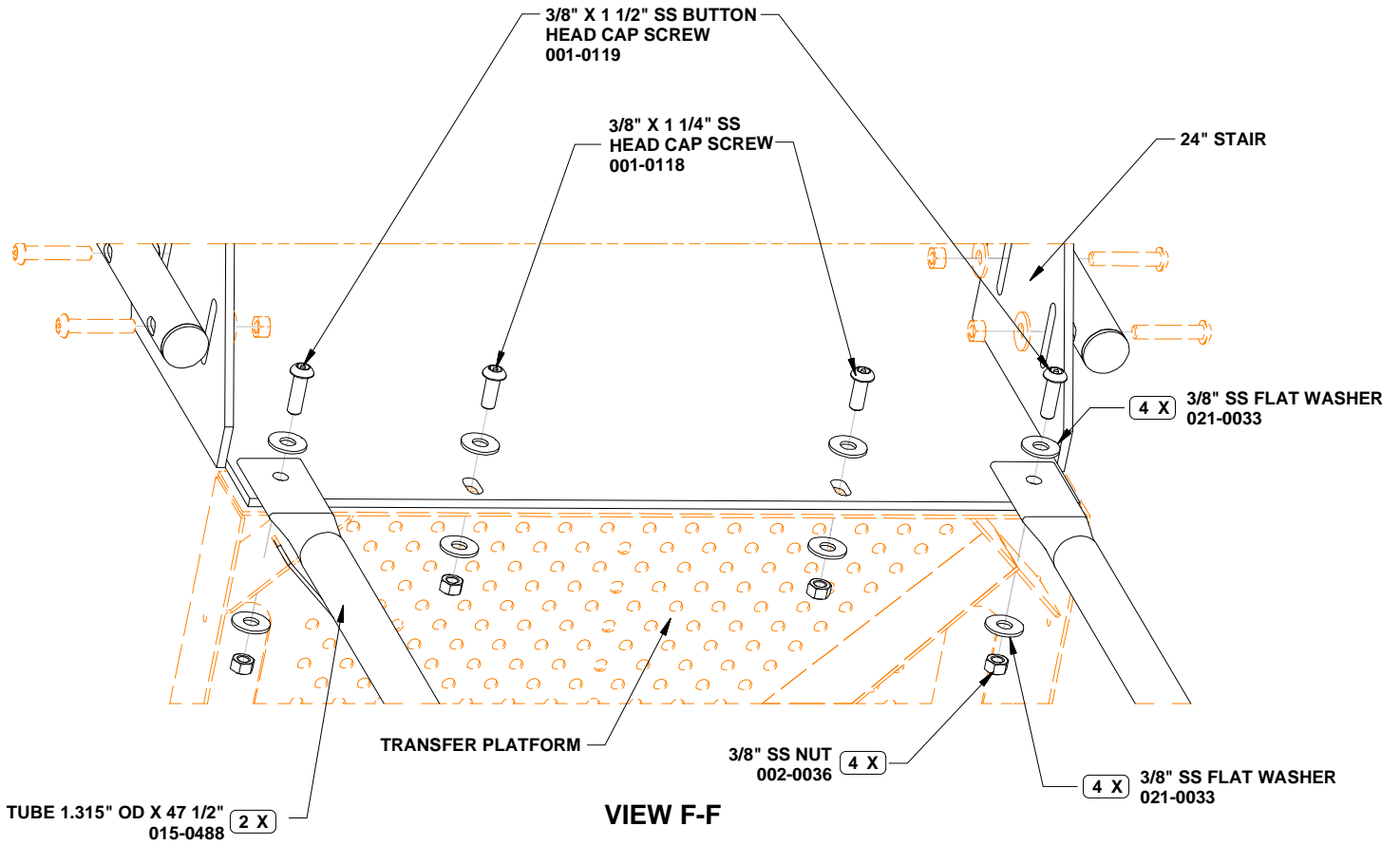
**DETAIL C
(4 PLACES)**



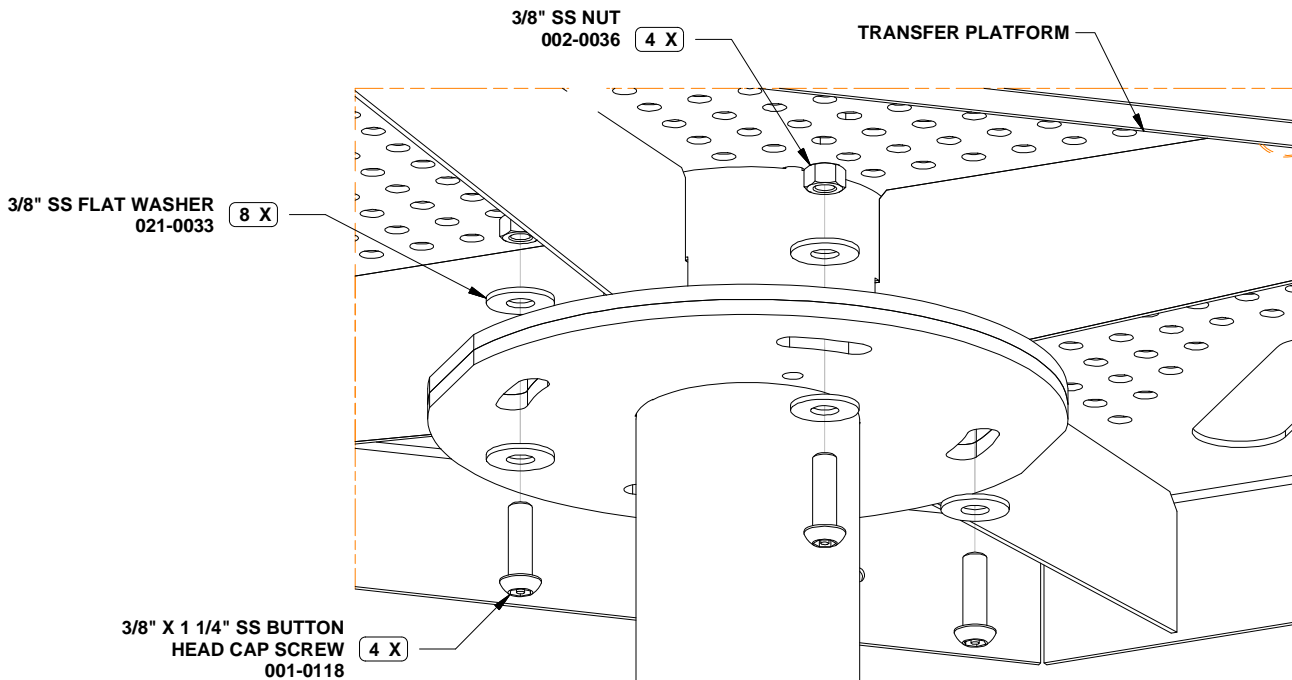
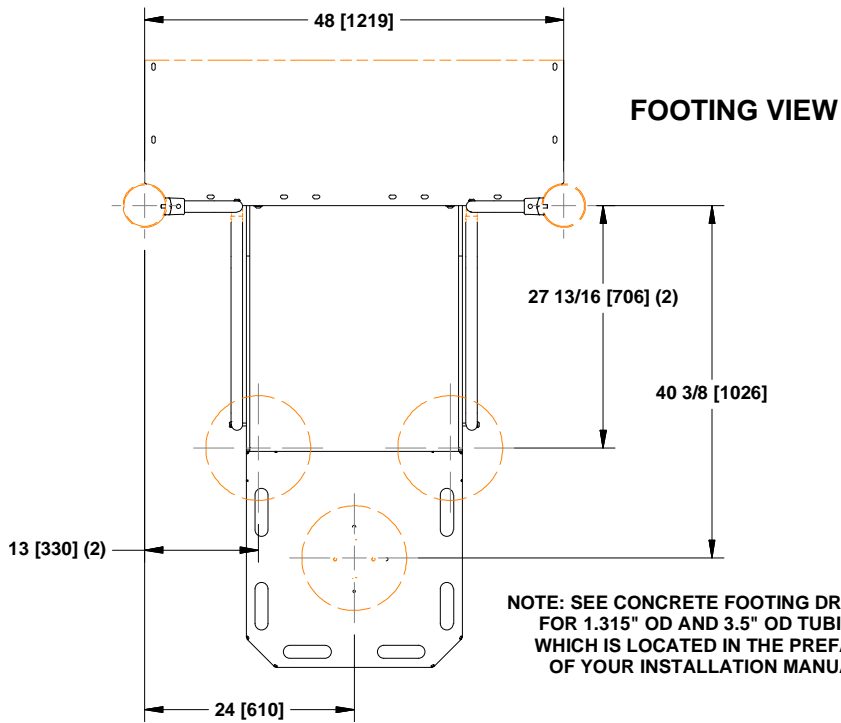
**DETAIL D
(2 PLACES)**

(2 X) 3/8" SS NUT
002-0036

370-1661 TRANSFER STATION, BARRIER 40"



370-1661 TRANSFER STATION, BARRIER 40"



NOTE: PVC MAY NEED TO BE REMOVED FROM SINGLE POST TRANSFER PLATFORM PRIOR TO INSTALATION.

DETAIL G

370-1661 TRANSFER STATION, BARRIER 40"

PARTS LIST

PART NO.	DESCRIPTION	QTY
000-0203	CASTING, STRAIGHT BRACKET	2
015-0488	TUBE 1.315" OD X 47 1/2"	2
030-1698	TOP STAIR BARRIER	2
030-1709	TRANSFER BARRIER, 24"/32"	2
030-2756	45 1/2" SINGLE POST SUPPORT	1
030-2769	SINGLE POST TRANSFER PLATFORM	1
036-0819	HARDWARE PACKAGE	1
036-1509	HARDWARE PACKAGE	1
046-0141	24" ACCESSIBLE STAIRS	1

NOTE: Hardware package(s) may include extra hardware that is not necessary for this installation.

SPECIFICATIONS

CASTING, STRAIGHT BRACKET: A356-T6 Aluminum, Heat-Treated. Finished with baked on powder coating.

TUBE 1.315" OD X 47 1/2": 1.315" OD x 12 GA galvanized steel tubing finished with a baked on powder coating.

TRANSFER BARRIER, 24"/32": One piece all welded construction consisting of 1.315" OD x 12 GA steel tubing, and 8 GA galvanized steel plate. Finished with a baked on powder coating.

45 1/2" SINGLE POST SUPPORT: One piece welded construction consisting of 3.5" OD X 11 Ga galvanized tubing and a 1/4" HRS mounting plate finished with a baked-on powder coat.

TOP STAIR BARRIER: One piece all welded construction consisting of 1.315" OD x 12 GA & 1.029" OD x 12 GA galvanized steel tubing and 10 GA galvanized steel plate. Finished with a baked on powder coating.

SINGLE POST TRANSFER PLATFORM: One piece welded construction consisting of 12 GA sheet steel, 1/4" HRS mounting plate and 4 1/2" X 11 Ga steel tubing finished with a PVC dipped coating.

HARDWARE PACKAGE: Stainless steel and aluminum rivets.

24" ACCESSIBLE STAIRS: One piece all welded construction consisting of 12 GA HRPO steel surfaces, sides, and gussets. PVC coated after fabrication.

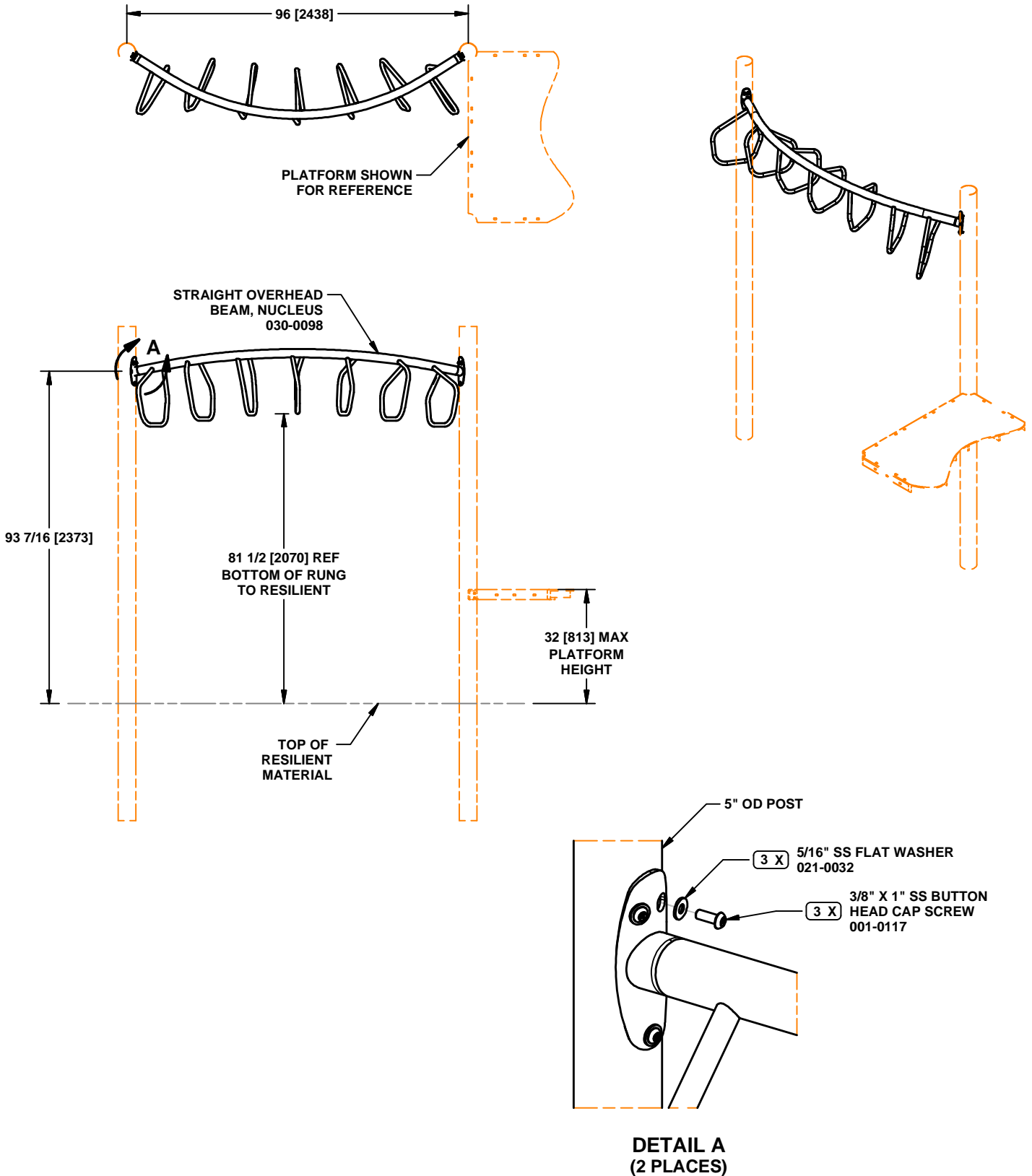
SHIPPING WEIGHT: 217 LBS.

INSTALLATION INSTRUCTIONS

NOTE: Do not tighten hardware until instructed to do so.

NOTE: PVC coating may need to be removed from mounting slots of platforms before installation.

1. Install PLATFORMS. See appropriate installation instructions.
2. Dig footing holes per dimensions shown. See typical concrete footing drawing for 1.315" OD and 3.5" OD tubing, which is located in the preface of your installation manual.
3. Attach 45 1/2" SINGLE POST SUPPORT to SINGLE POST TRANSFER PLATFORM using hardware specified in DETAIL G.
4. Attach both TUBE 1.315" OD x 47 1/2" and SINGLE POST TRANSFER PLATFORM to 24" ACCESSIBLE STAIRS using hardware specified in SECTION F-F.
5. Position 45 1/2" SINGLE POST SUPPORT and TUBE 1.315" OD X 47 1/2" into footing holes. See FOOTING VIEW.
6. Attach 24" ACCESSIBLE STAIR to PLATFORM using hardware specified in SECTION E-E. **NOTE: The heads of the 3/8" x 1" SS BUTTON HEAD CAP SCREWS must be on the platform side of the 24" ACCESSIBLE STAIR.**
7. Attach both TOP STAIR BARRIERS, and casting brackets to 5" OD POSTS using hardware specified in DETAIL A and DETAIL B.
8. Attach TRANSFER BARRIERS, 24"/32" to 24" ACCESSIBLE STAIR using hardware specified in DETAIL D.
9. Attach TRANSFER BARRIERS, 24"/32" to TOP STAIR BARRIERS using hardware specified in DETAIL C.
10. Tighten all hardware.
11. Block up, plumb and level assembly.
12. Pour concrete and allow concrete to set for 2-3 days.
13. **Install resilient surfacing material in accordance to installation guidelines, ASTM standards and CPSC guidelines.**



370-1675 STRAIGHT OVERHEAD, NUCLEUS

PARTS LIST

<u>PART NO.</u>	<u>DESCRIPTION</u>	<u>QTY</u>
030-0098	STRAIGHT OVERHEAD BEAM, NUCLEUS	1
036-0258	HARDWARE PACKAGE	3

NOTE: Hardware package(s) may include extra hardware that is not necessary for this installation.

SPECIFICATIONS

STRAIGHT OVERHEAD BEAM, NUCLEUS: One piece all welded construction consisting of 2 3/8" OD x 10 GA, 2 3/8" OD x 12 GA and 1.029" x 14 GA galvanized steel tubing, and 3/16" thick stainless steel. Finished with a baked on powder coating.

HARDWARE PACKAGE: Stainless Steel.

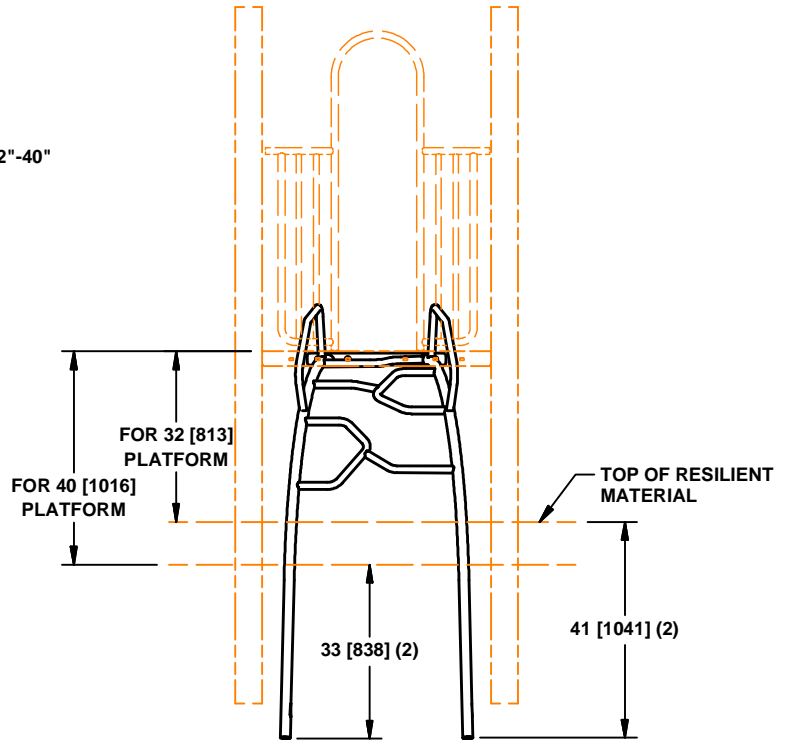
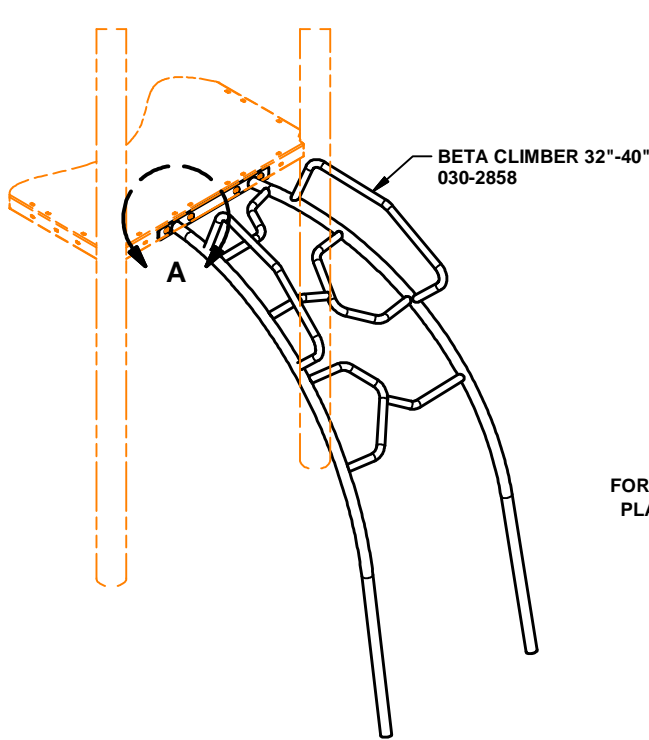
SHIPPING WEIGHT: 53 LBS.

INSTALLATION INSTRUCTIONS

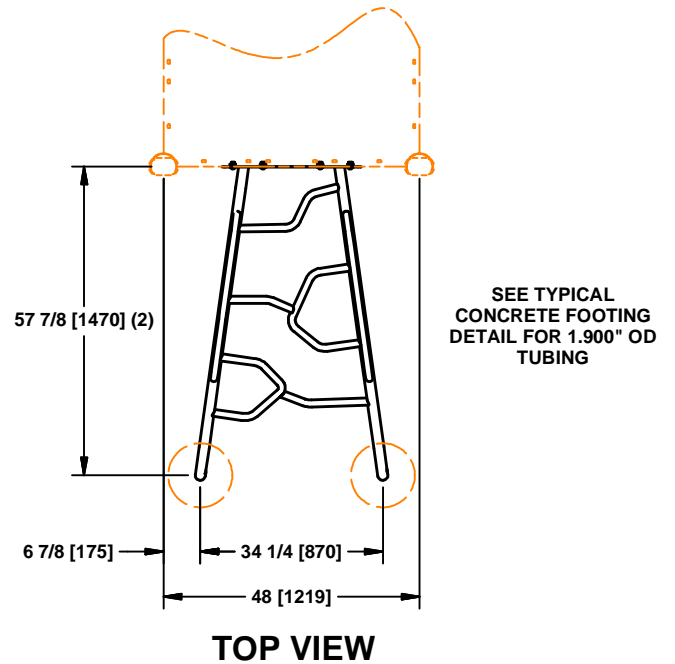
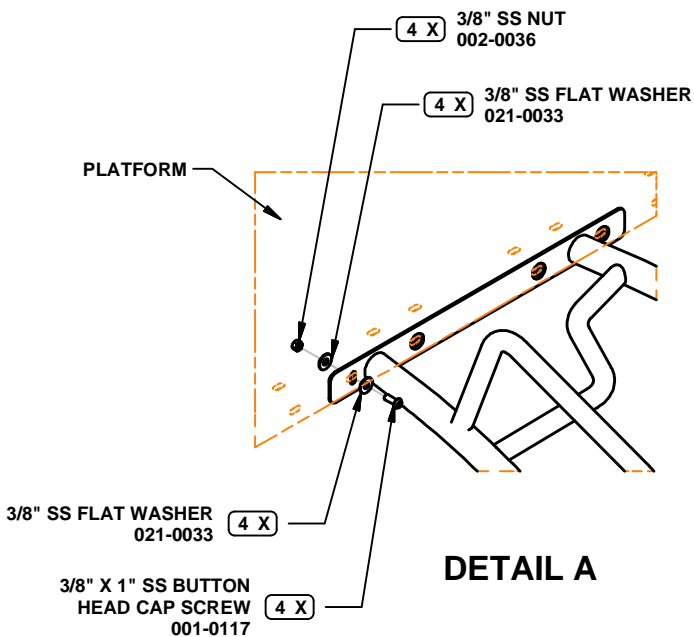
NOTE: Do not tighten hardware until instructed to do so.

1. Attach OVERHEAD to posts using hardware specified in DETAIL A. Overhead event should be orientated so that access to the rungs is easiest from the platform or launch pad.
2. Plumb posts and level component. Tighten all hardware.
3. Pour concrete and let set for 2 to 3 days.
4. **Install resilient surfacing material in accordance to installation guidelines, ASTM standards and CPSC guidelines.**

NOTE: ENCLOSURE MAY BE DIFFERENT THAN PICTURED BELOW. REFER TO SITE PLAN AND SEPARATE INSTALLATION INSTRUCTION FOR SPECIFIC ENCLOSURE COMPONENT



FRONT VIEW



370-1680 BETA CLIMBER 32"-40"

PARTS LIST

PART NO.	DESCRIPTION	QTY
030-2858	BETA CLIMBER 32"-40"	1
036-0196	HARDWARE PACKAGE	1

NOTE: Hardware package(s) may include extra hardware that is not necessary for this installation.

SPECIFICATIONS

BETA CLIMBER, 32"-40": One piece welded construction consisting of 1.900" OD X 11 GA galvanized steel tubing, 1.315" OD X 12 GA galvanized steel tubing and a 8 GA galvanized steel plate finished with a baked-on powder coating.

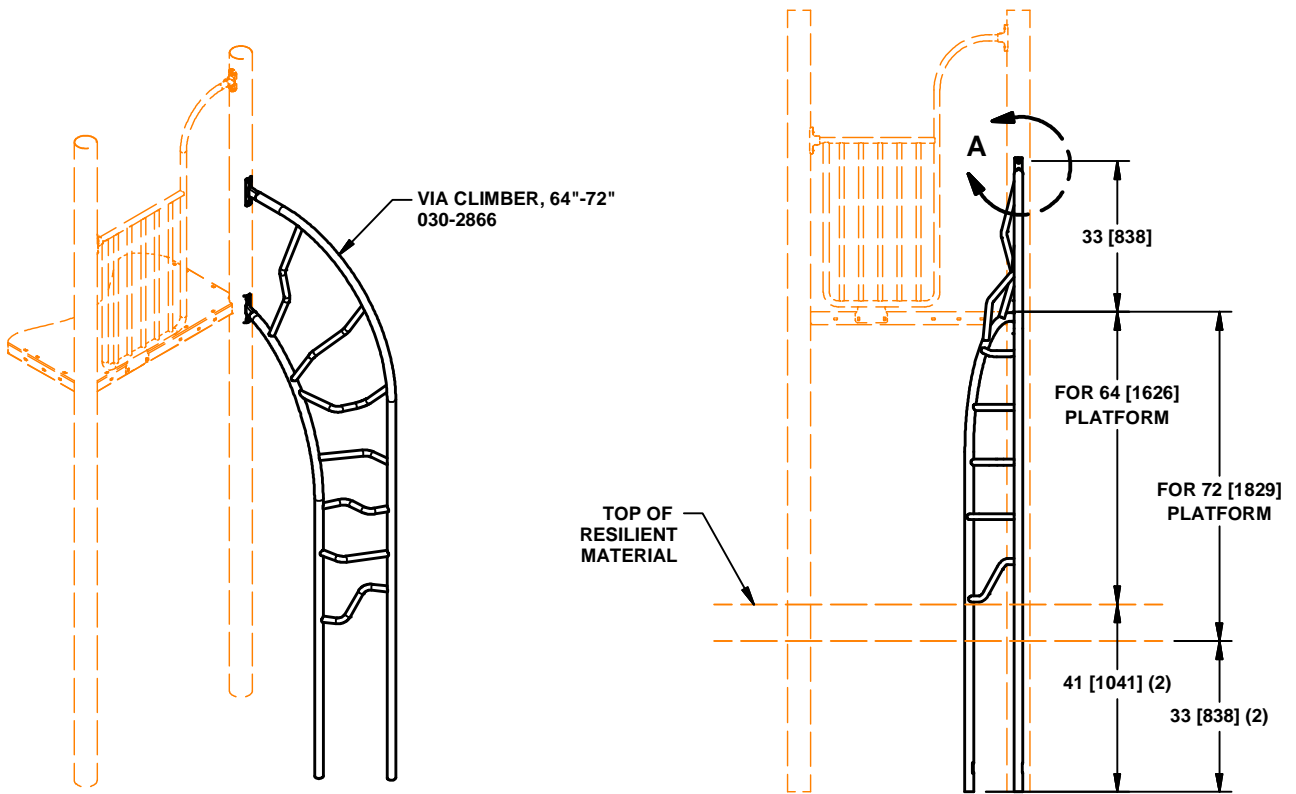
HARDWARE PACKAGE: Stainless Steel

SHIPPING WEIGHT: 71 LBS.

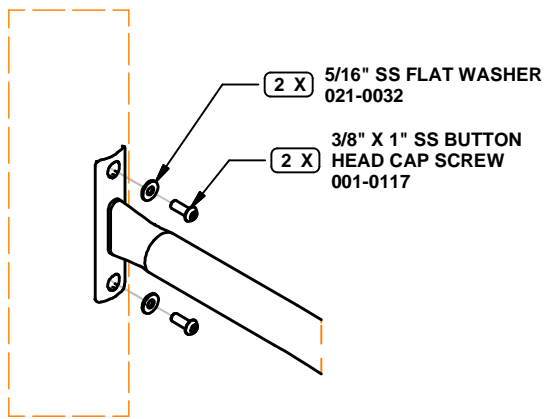
INSTALLATION INSTRUCTIONS

1. Dig footing holes per dimensions shown in TOP VIEW. See typical concrete footing detail for 1.900" OD tubing, which is located in the preface of your installation manual.
2. Attach CLIMBER to platform using hardware specified in DETAIL A. Ensure the plate sits flush to the platform.
3. Tighten all hardware
4. Block up, level and plumb climber. Pour Concrete, let cure for 2-3 days.
5. **Install resilient surfacing material in accordance to installation guidelines, ASTM standards and CPSC guidelines.**

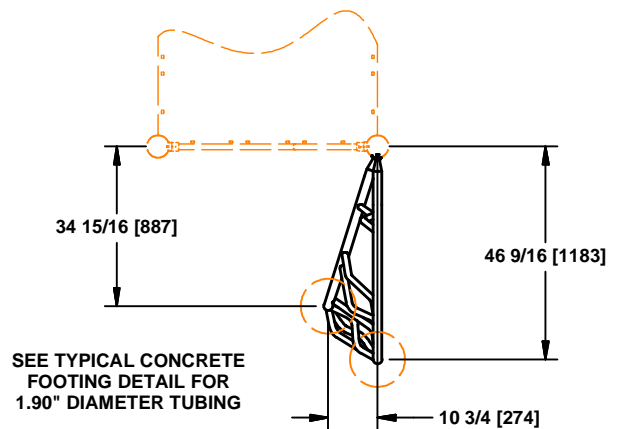
NOTE: ENCLOSURE MAY BE DIFFERENT THAN PICTURED BELOW. REFER TO SITE PLAN AND SEPARATE INSTALLATION INSTRUCTION FOR SPECIFIC ENCLOSURE COMPONENT



FRONT VIEW



**DETAIL A
(2 PLACES)**



TOP VIEW

370-1695 VIA CLIMBER 64"-72"

PARTS LIST

<u>PART NO.</u>	<u>DESCRIPTION</u>	<u>QTY</u>
030-2866	VIA CLIMBER, 64"-72"	1
036-0258	HARDWARE PACKAGE	2

NOTE: Hardware package(s) may include extra hardware that is not necessary for this installation.

SPECIFICATIONS

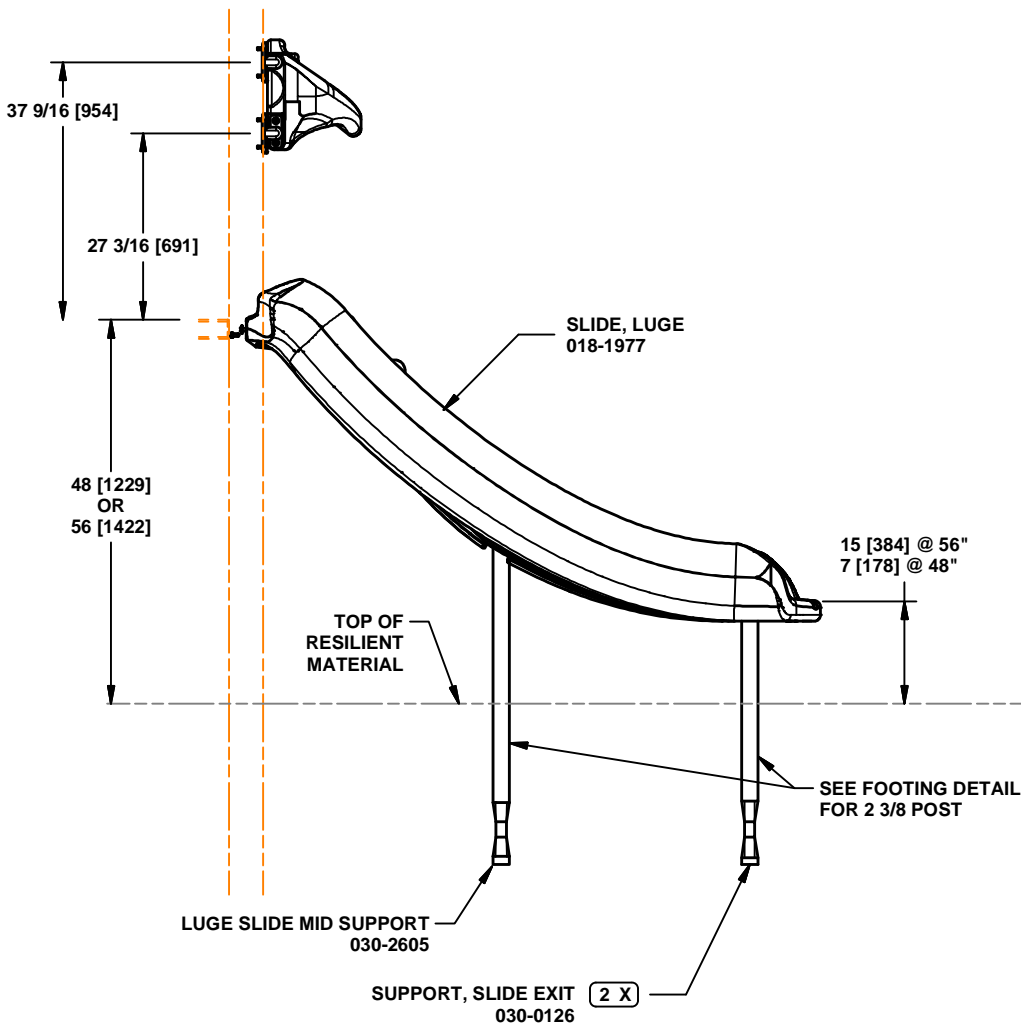
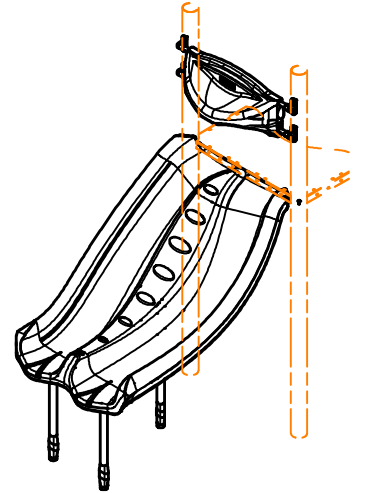
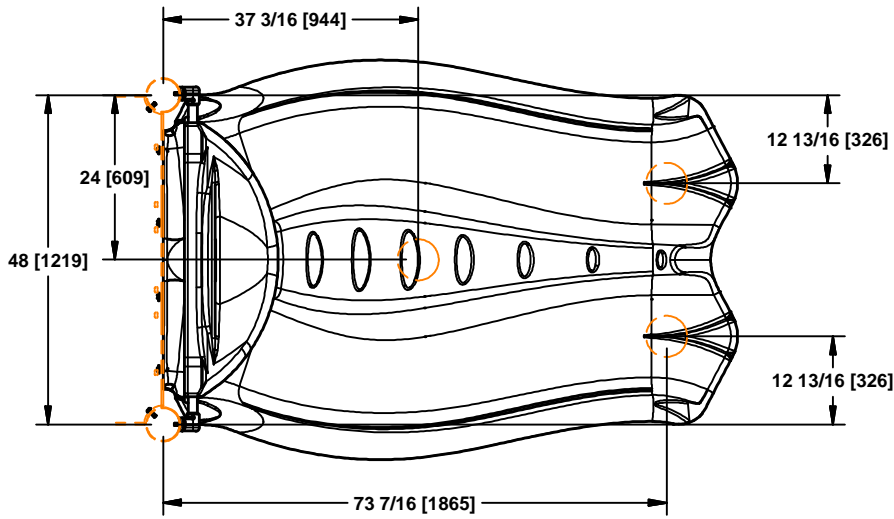
VIA CLIMBER 64"-72": One piece all welded construction consisting of 1.900" OD X 11 GA galvanized steel side rails, 1.315" OD X 12 GA rungs and an 8 GA galvanized steel mounting plate finished with a baked-on powder coating.

HARDWARE PACKAGE: Stainless steel

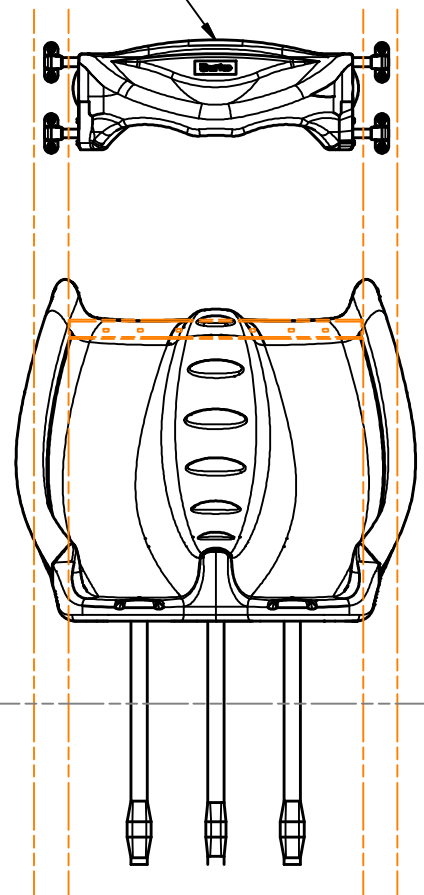
SHIPPING WEIGHT: 76 LBS.

INSTALLATION INSTRUCTIONS

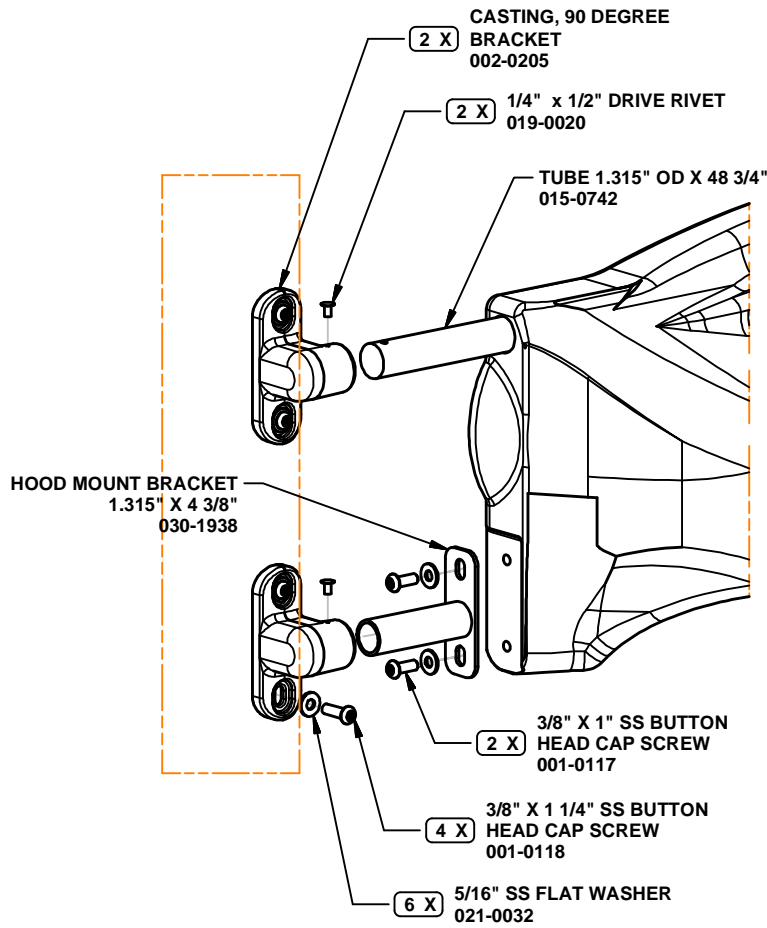
1. Dig footing holes per dimensions shown in TOP VIEW. See typical concrete footing detail for 1.900" OD tubing, which is located in the preface of your installation manual.
2. Attach VIA CLIMBER to post using hardware specified in DETAIL A.
3. Tighten all hardware
4. Block up, level and plumb climber. Pour Concrete, let cure for 2-3 days.
5. **Install resilient surfacing material in accordance to installation guidelines, ASTM standards and CPSC guidelines.**



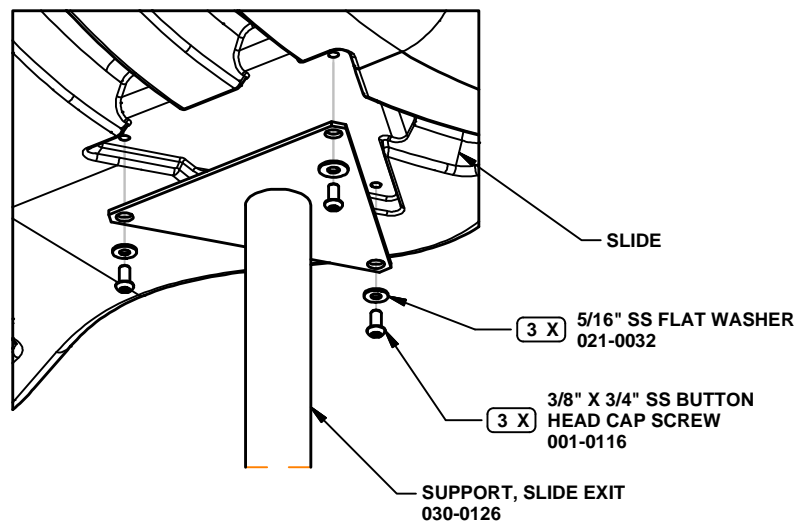
DOUBLE SLIDE HOOD
018-0649



470-0755 LUGE SLIDE, 48"-56"

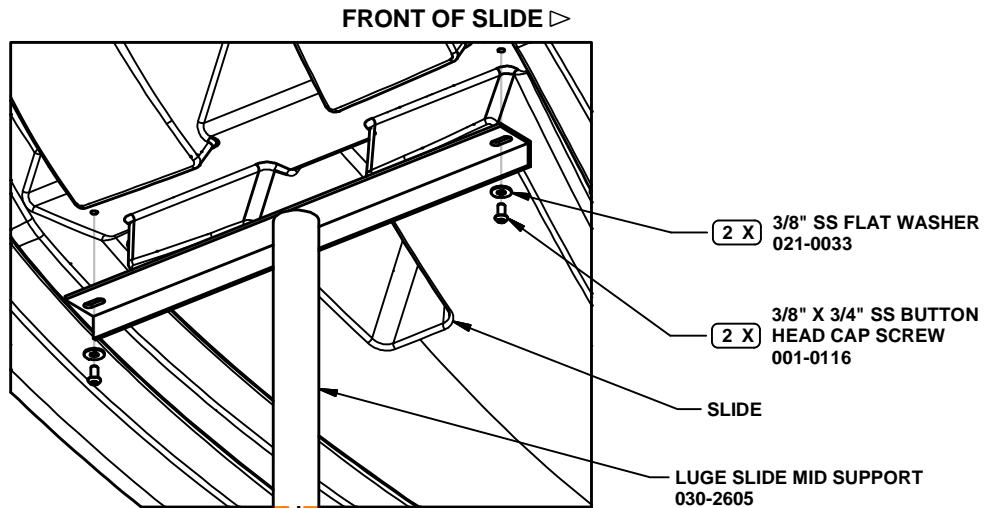


DETAIL A
(2 PLACES)

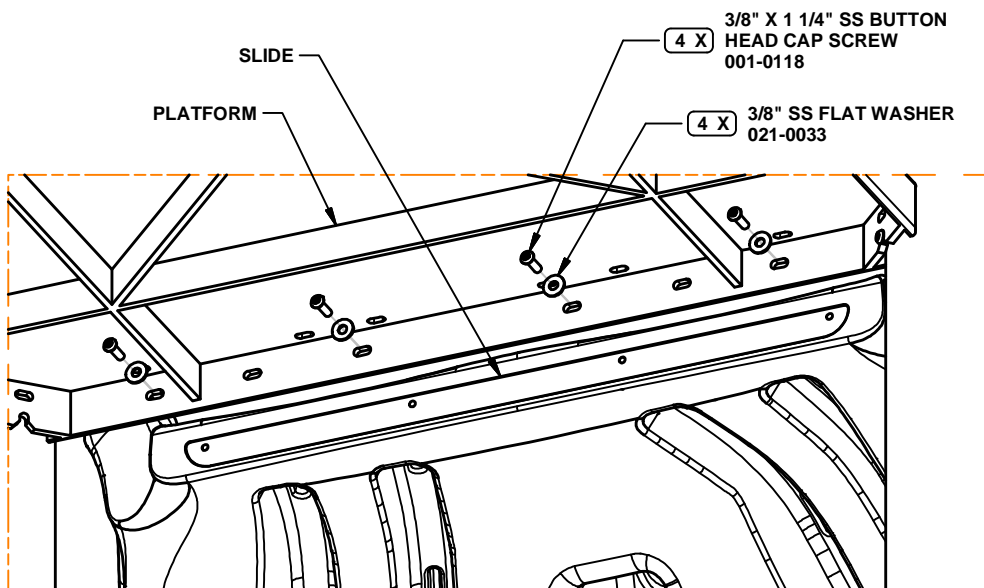


DETAIL B
(2 PLACES)

470-0755
LUGE SLIDE, 48"-56"



DETAIL C



DETAIL D

470-0755 LUGE SLIDE, 48"-56"

PARTS LIST

PART NO.	DESCRIPTION	QTY
000-0205	CASTING, 90 DEGREE BRACKET	4
015-0742	TUBE 1.315" OD X 48 3/4"	1
018-0649	DOUBLE SLIDE HOOD	1
018-1977	SLIDE, LUGE	1
030-0126	SUPPORT, SLIDE EXIT	2
030-1938	HOOD MOUNT BRACKET 1.315" X 4 3/8"	2
030-2605	LUGE SLIDE MID SUPPORT	1
036-0784	HARDWARE PACKAGE	2
036-0844	HARDWARE PACKAGE	5
036-1184	HARDWARE PACKAGE	1
036-1207	HARDWARE PACKAGE	1
036-1304	HARDWARE PACKAGE	1

NOTE: Hardware package(s) may include extra hardware that is not necessary for this installation.

SPECIFICATIONS

CASTING, 90 DEGREE BRACKET: A356-T6 Aluminum, Heat- Treated. Finished with baked on powder coating.

TUBE 1.315" OD X 48 3/4": 1.315" OD X 12 GA galvanized tubing. Finished with a baked on powder coating.

DOUBLE SLIDE HOOD; SLIDE, LUGE: Double wall, linear low density, rotationally molded, U.V. stabilized polyethylene with double wall construction, molded in 3/8" T-nut inserts, and a textured surface.

SUPPORT, SLIDE EXIT: One piece all welded construction consisting of 2 3/8" OD x 12 GA galvanized steel tubing and 8 GA galvanized sheet steel. Finished with a baked on powder coating.

HOOD MOUNT BRACKET 1.315" X 4 3/8": 10 GA mounting plate welded to 1.315" OD x 12 GA galvanized steel tubing. Finished with baked on powder coat.

LUGE SLIDE MID SUPPORT: One piece all welded construction consisting of 2 3/8" OD x 10 GA galvanized steel tubing and 2 1/2" x 1 1/2" x 3/16" HRS angle. Finished with a baked on powder coating after fabrication.

HARDWARE PACKAGE; HARDWARE PACKAGE; HARDWARE PACKAGE; HARDWARE PACKAGE: Stainless steel.

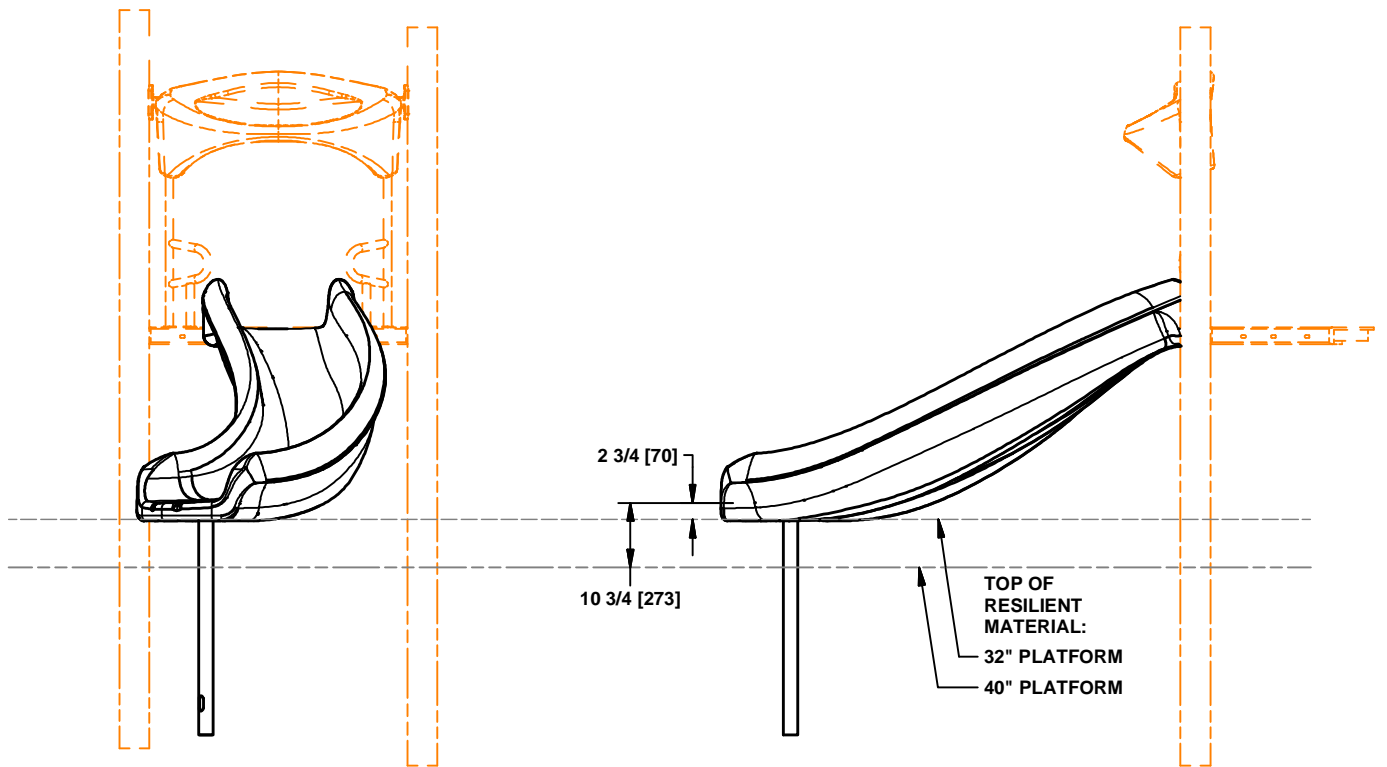
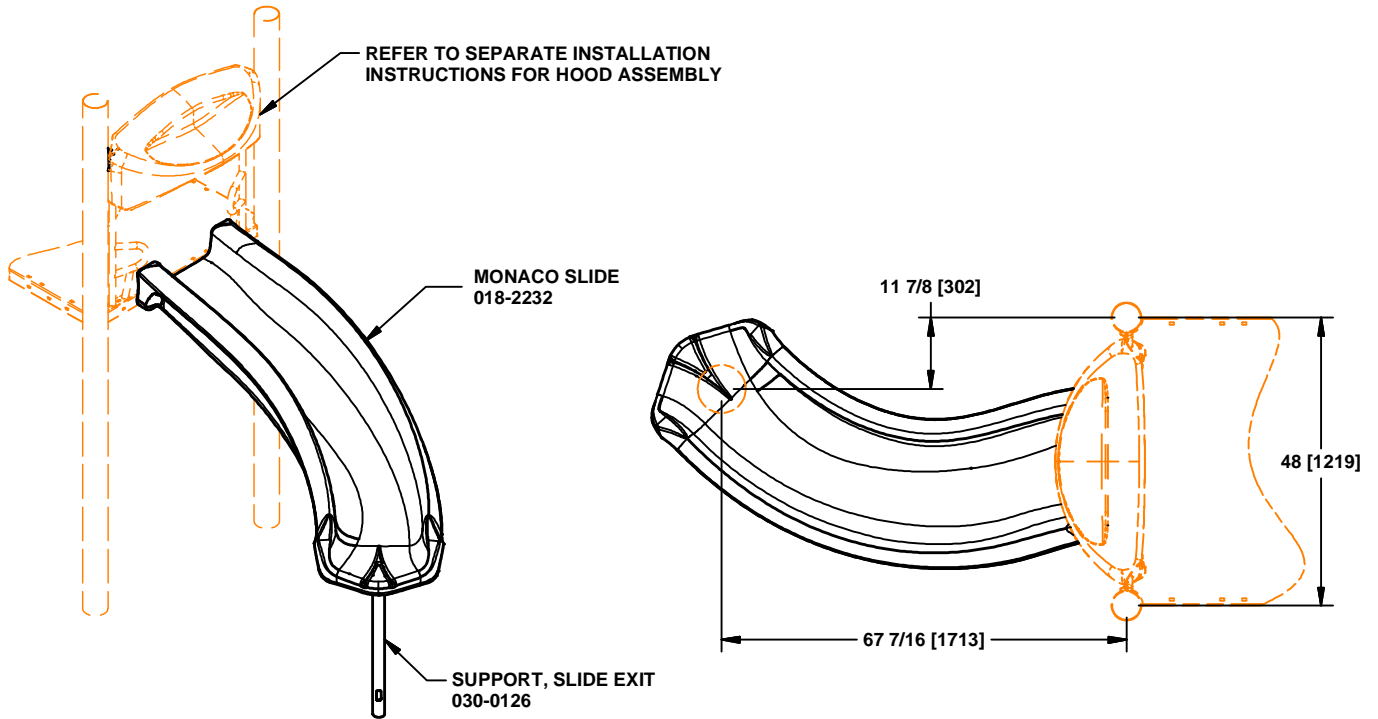
SHIPPING WEIGHT: 198 LBS.

INSTALLATION INSTRUCTIONS

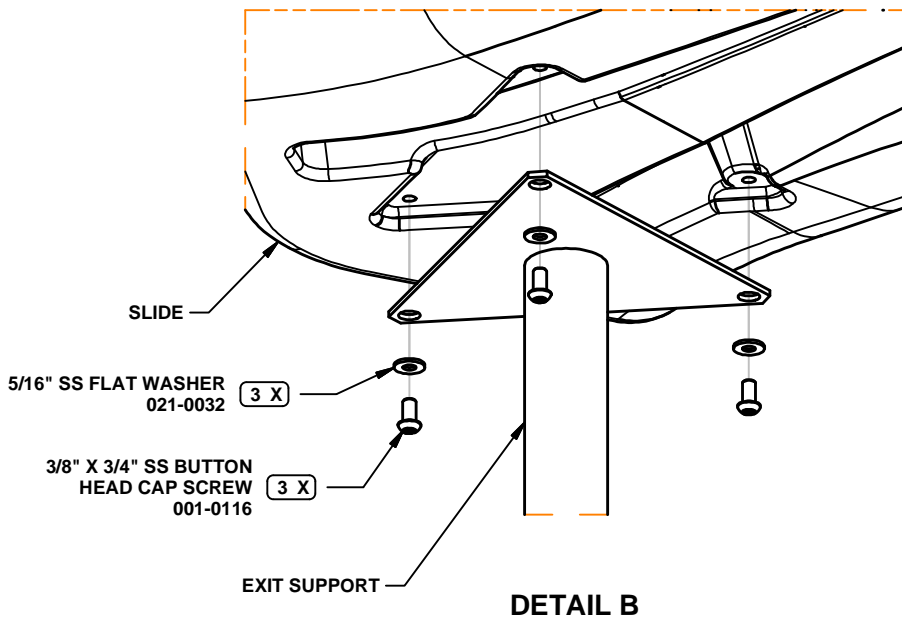
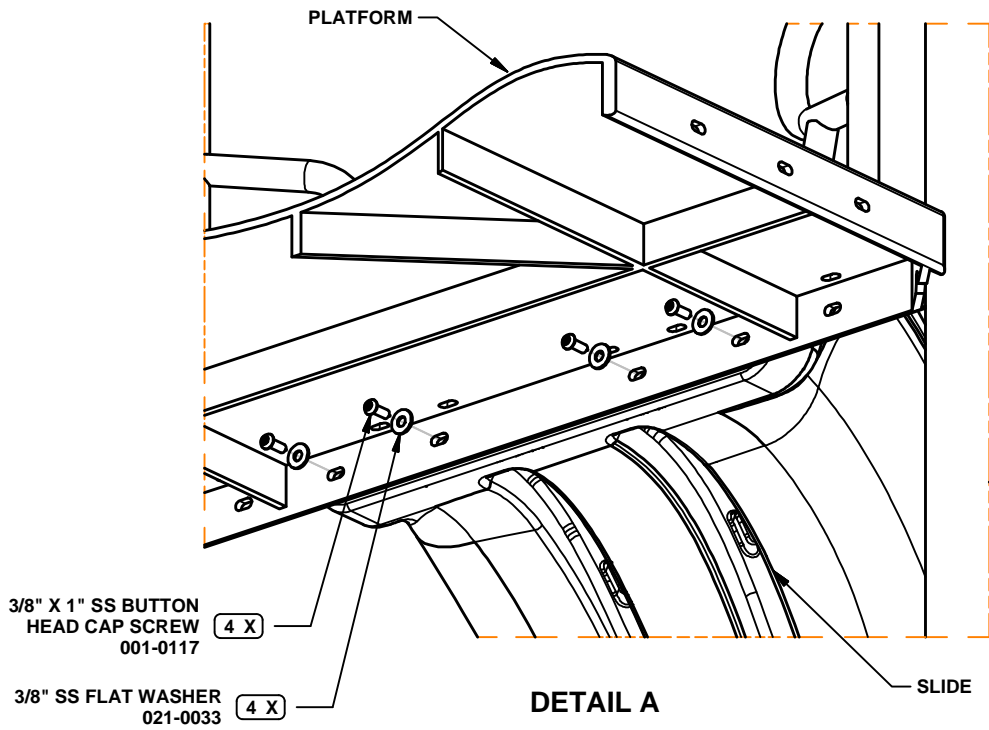
NOTE: PVC coating may need to be removed from mounting holes of parts before installation.

NOTE: Do not tighten hardware until instructed to do so.

1. After platform has been installed, locate and dig footing hole as per dimensions shown. See footing detail drawing, which is located in the preface of your installation manual.
2. Attach DOUBLE SLIDE HOOD as shown in DETAIL A. Attach two BRACKET CASTINGS to post on one side. Attach both HOOD MOUNT BRACKETS to the double slide hood. Slide the TUBE 1.315" X 48 3/4" into the hole in the hood and center it. Bring the hood to one post, slide the upper tube and the mount bracket into the bracket castings attached to the post. Slide the bracket castings onto the upper tube and the lower mount bracket on the opposite side, rotate the hood into the other post and attach the bracket castings to the post. Make sure the hood is centered between the posts and tighten all hardware.
3. Drill 1/4" diameter hole through all 4 bracket castings and mounting tubes. Insert 1/4" X 1/2" drive rivet and engage drive rivet by hammering until pin is flush with head of rivet. See DETAIL A.
4. Attach SLIDE EXIT SUPPORTS to slide using hardware specified in DETAIL B. Tighten fasteners.
5. Attach LUGE SLIDE MID SUPPORT to slide using hardware specified in DETAIL C. Tighten fasteners.
6. Position slide into footing holes. Attach slide to platform using hardware specified in DETAIL D. Make sure that the slide is flush and tight to platform.
7. Tighten all hardware.
8. Block-up, level and plumb.
9. Pour concrete. Let set for two to three days.
10. **Install resilient material in accordance to installation guidelines, ASTM standards and CPSC guidelines.**



470-0802 MONACO SLIDE, 32"-40"



470-0802 MONACO SLIDE, 32"-40"

PARTS LIST

PART NO.	DESCRIPTION	QTY
018-2232	MONACO SLIDE	1
030-0126	SUPPORT, SLIDE EXIT	1
036-0227	HARDWARE PACKAGE	1
036-0784	HARDWARE PACKAGE	1

NOTE: Hardware package(s) may include extra hardware that is not necessary for this installation.

SPECIFICATIONS

MONACO SLIDE: 1/4" thick, linear, low density, rotationally molded, U.V. stabilized polyethylene with double wall construction, molded in 3/8" T-nut inserts, and a textured surface.

SUPPORT, SLIDE EXIT: One piece all welded construction consisting of 2 3/8" OD x 12 GA galvanized steel tubing and 8 GA galvanized sheet steel. Finished with a baked on powder coating.

HARDWARE PACKAGE; HARDWARE PACKAGE: Stainless steel.

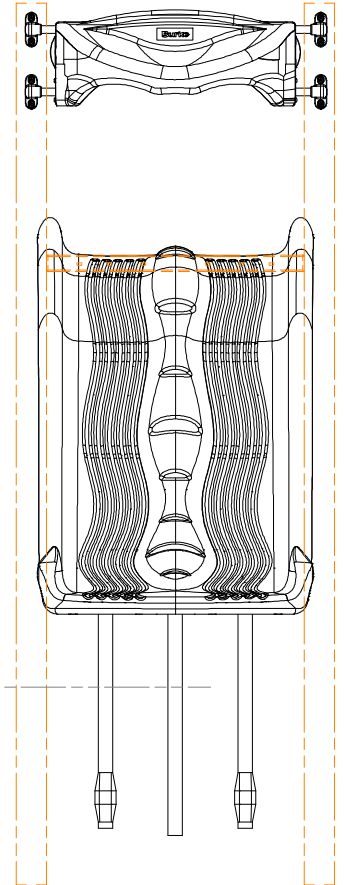
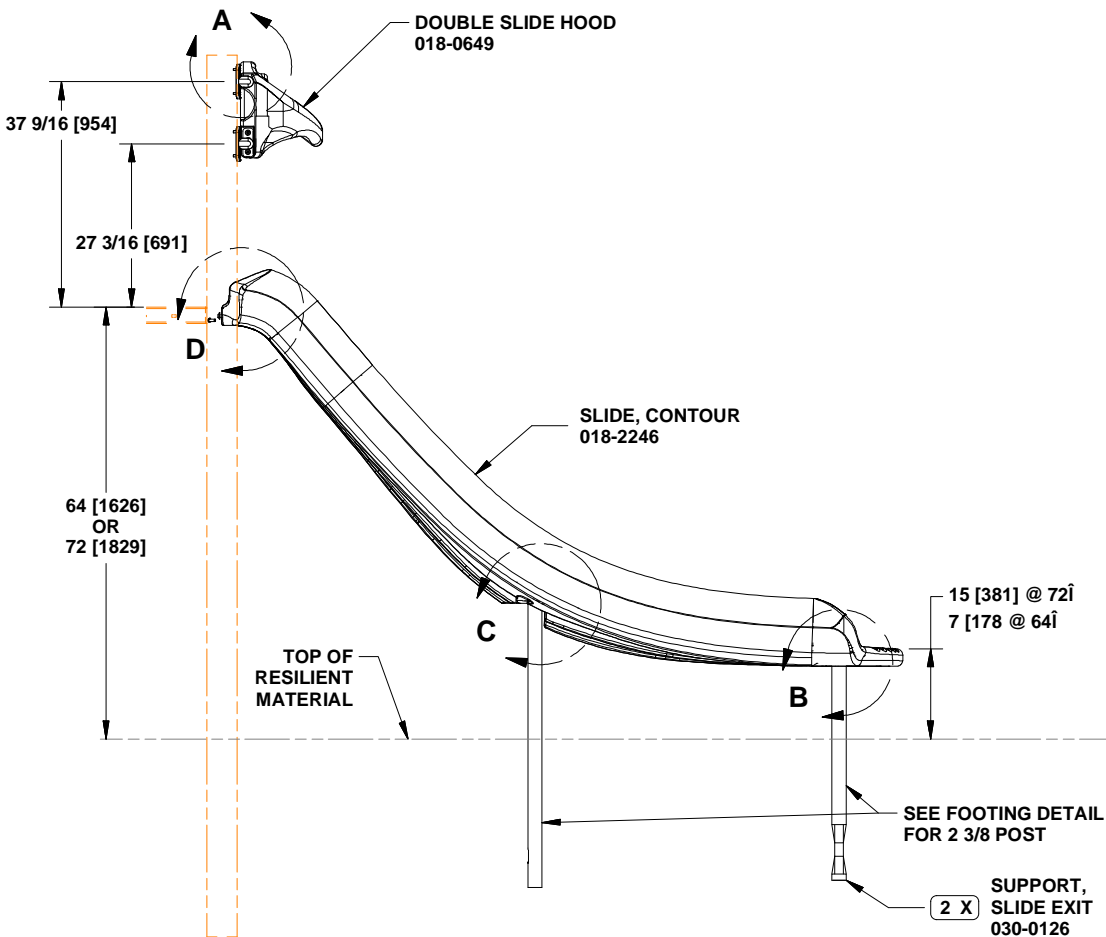
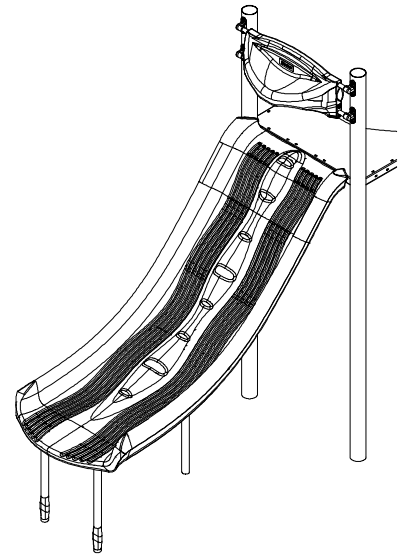
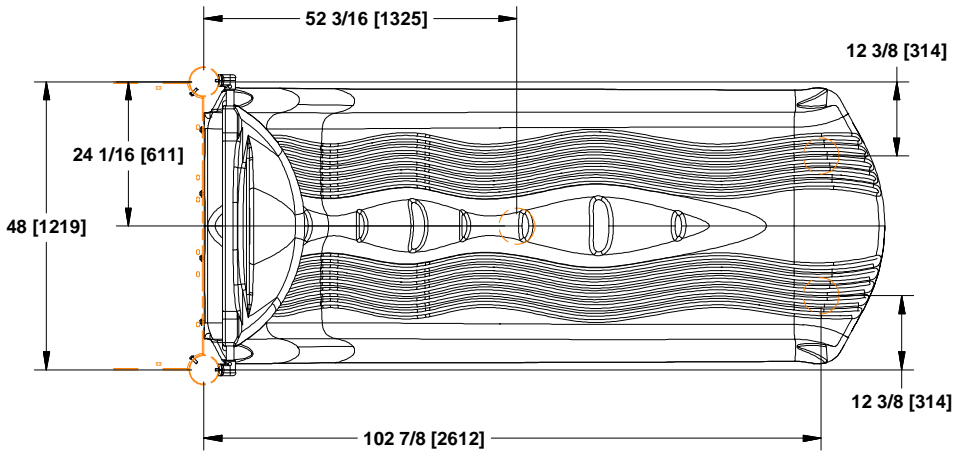
SHIPPING WEIGHT: 71 LBS.

INSTALLATION INSTRUCTIONS

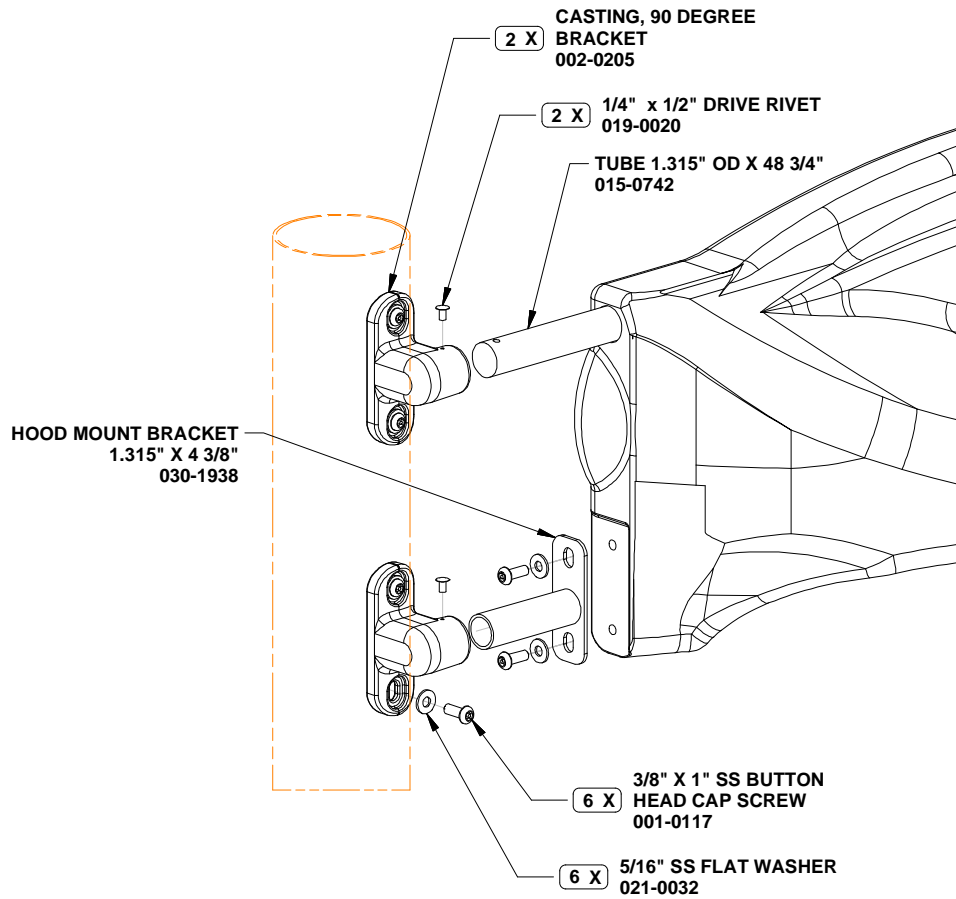
NOTE: Do not tighten hardware until instructed to do so.

NOTE: PVC coating may need to be removed from mounting slots of platforms before installation.

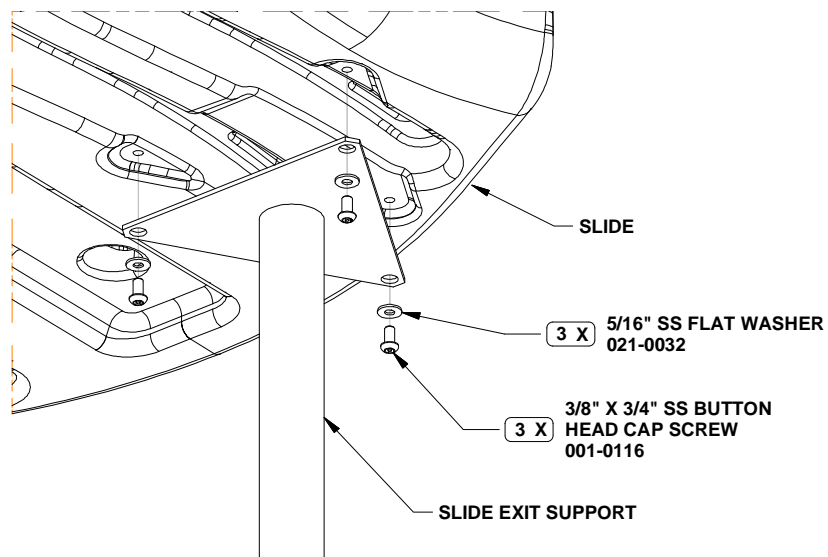
1. Install PLATFORM(S). See appropriate installation instructions located in your installation manual.
2. Dig footing holes per dimensions shown. See typical concrete footing drawing for 2.875" OD tubing, which is located in the preface of your installation manual.
3. Attach SLIDE EXIT SUPPORT to SLIDE using hardware specified in DETAIL B.
4. Position slide into footing holes. Attach slide to platform using hardware specified in DETAIL A.
5. Tighten all hardware.
6. Block up, plumb and level assembly.
7. Pour concrete and allow concrete to set for 2-3 days.
8. Install resilient surfacing material in accordance to installation guidelines, ASTM standards and CPSC guidelines.



470-0803 CONTOUR SLIDE, 64"-72"



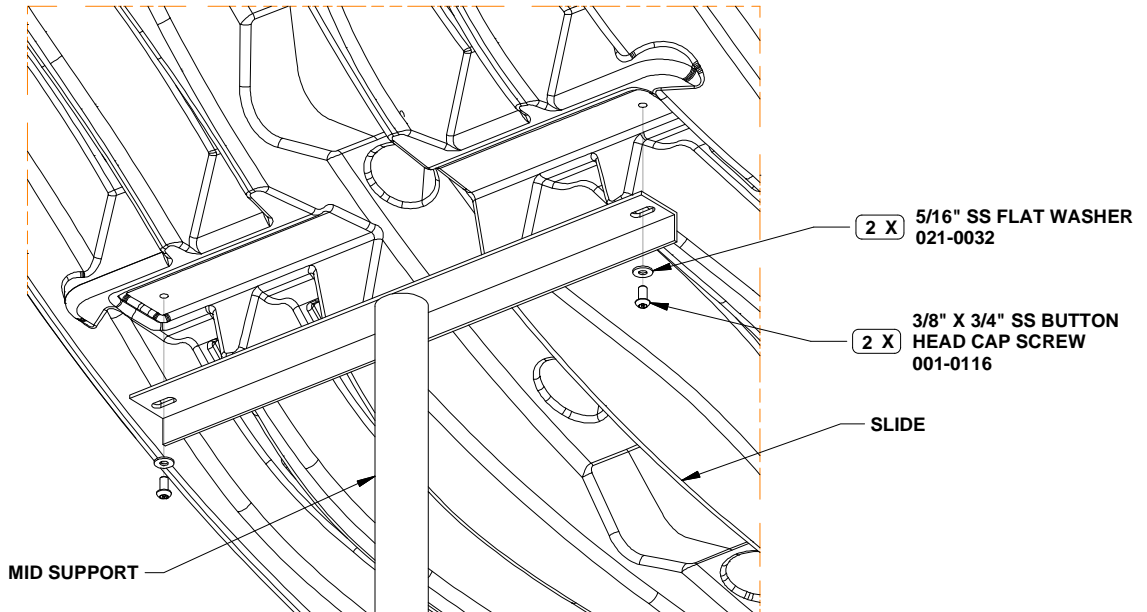
DETAIL A
(2 PLACES)



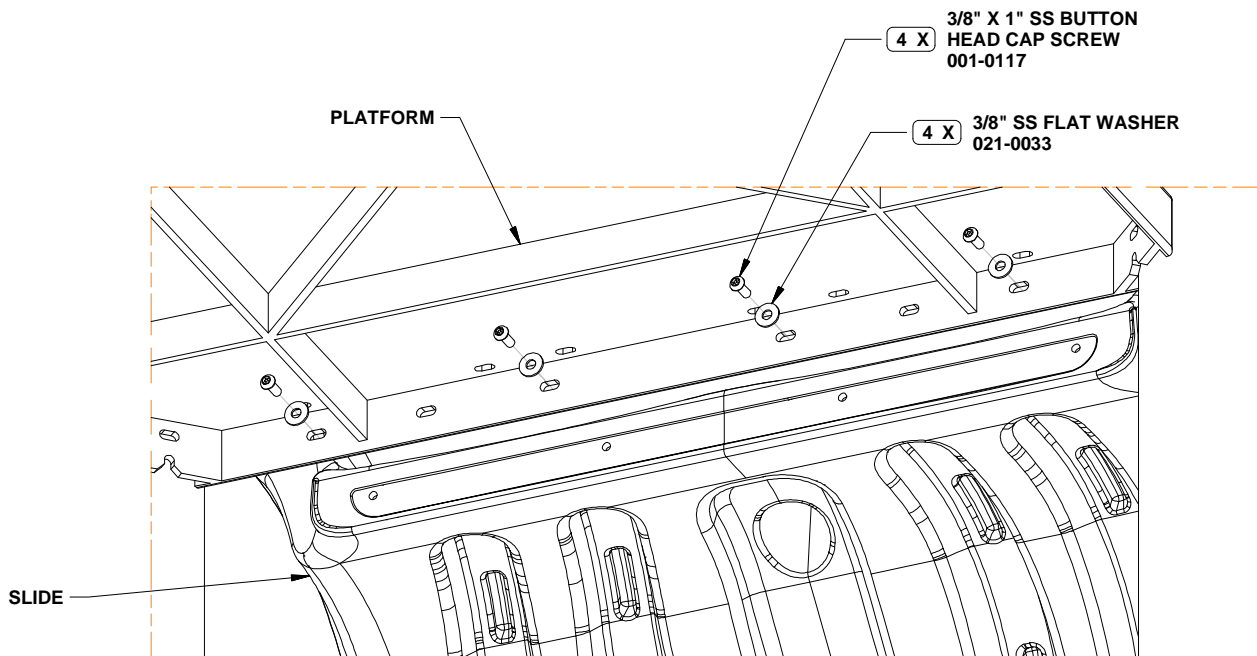
DETAIL B
(2 PLACES)

470-0803 CONTOUR SLIDE, 64"-72"

FRONT OF SLIDE ▷



DETAIL C



DETAIL D

470-0803 CONTOUR SLIDE, 64"-72"

PARTS LIST

PART NO.	DESCRIPTION	QTY
000-0205	CASTING, 90 DEGREE BRACKET	4
015-0742	TUBE 1.315" OD X 48 3/4"	1
018-0649	DOUBLE SLIDE HOOD	1
018-2246	SLIDE, CONTOUR	1
030-0126	SUPPORT, SLIDE EXIT	2
030-1938	HOOD MOUNT BRACKET 1.315" X 4 3/8"	2
030-2605	LUGE SLIDE MID SUPPORT	1
036-1167	HARDWARE PACKAGE	2
036-1508	HARDWARE PACKAGE	2

NOTE: Hardware package(s) may include extra hardware that is not necessary for this installation.

SPECIFICATIONS

CASTING, 90 DEGREE BRACKET: A356-T6 Aluminum, Heat-Treated. Finished with baked on powder coating.

TUBE 1.315" OD X 48 3/4": 1.315" OD X 12 GA galvanized tubing. Finished with a baked on powder coating.

DOUBLE SLIDE HOOD; SLIDE, CONTOUR: Double wall, linear low density, rotationally molded, U.V. stabilized polyethylene with double wall construction, molded in 3/8" T-nut inserts, and a textured surface.

SUPPORT, SLIDE EXIT: One piece all welded construction consisting of 2 3/8" OD x 12 GA galvanized steel tubing and 8 GA galvanized sheet steel. Finished with a baked on powder coating.

HOOD MOUNT BRACKET 1.315" X 4 3/8": 10 GA mounting plate welded to 1.315" OD x 12 GA galvanized steel tubing. Finished with baked on powder coat.

LUGE SLIDE MID SUPPORT: One piece all welded construction consisting of 2 3/8" OD x 10 GA galvanized steel tubing and 2 1/2" x 1 1/2" x 3/16" HRS angle. Finished with a baked on powder coating after fabrication.

HARDWARE PACKAGE; HARDWARE PACKAGE: Stainless steel.

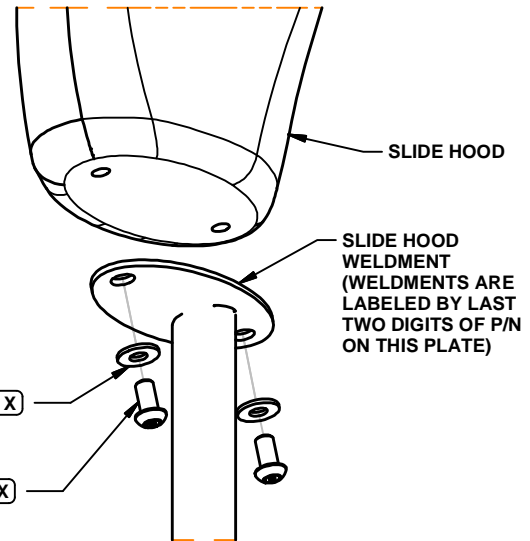
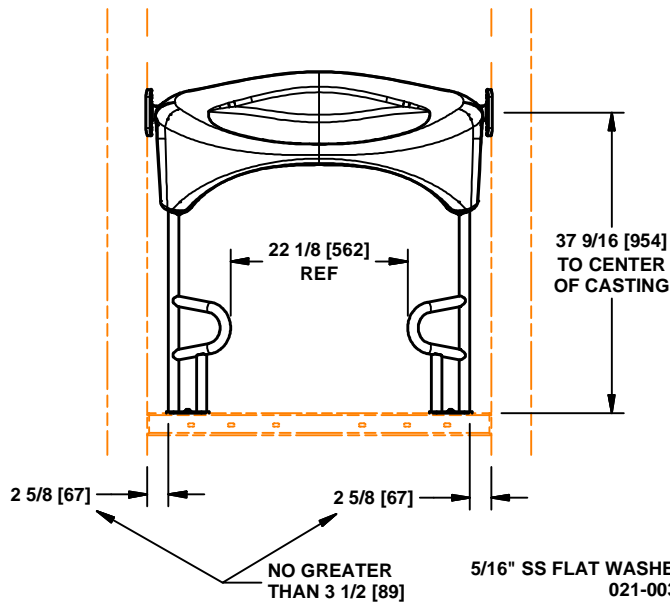
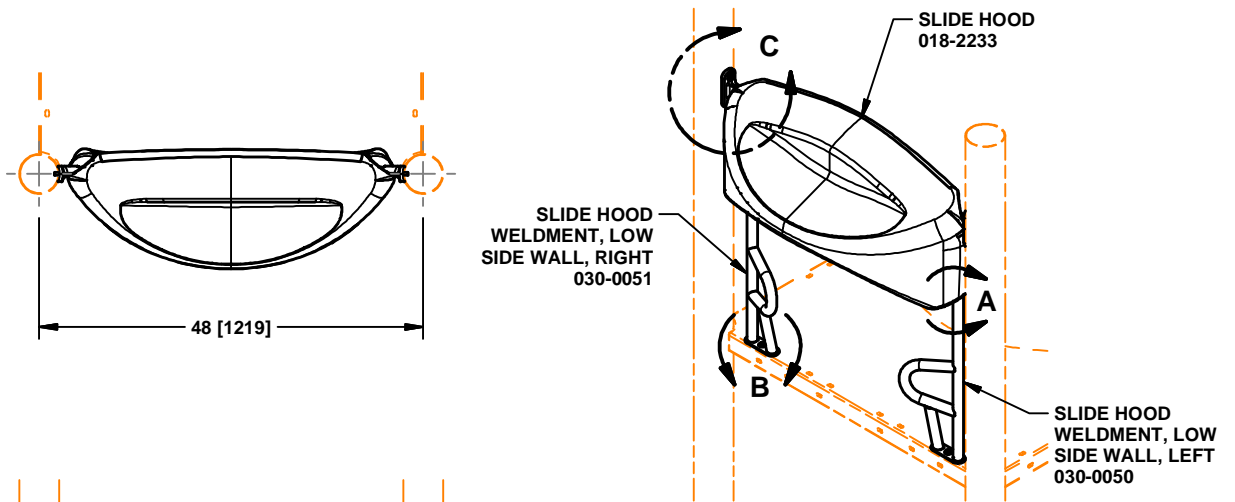
SHIPPING WEIGHT: 232 LBS.

INSTALLATION INSTRUCTIONS

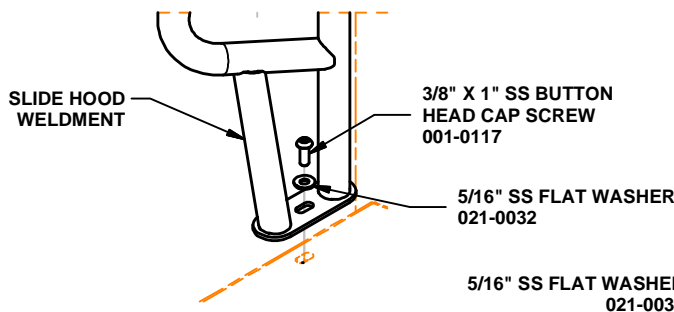
NOTE: PVC coating may need to be removed from mounting holes of parts before installation.

NOTE: Do not tighten hardware until instructed to do so.

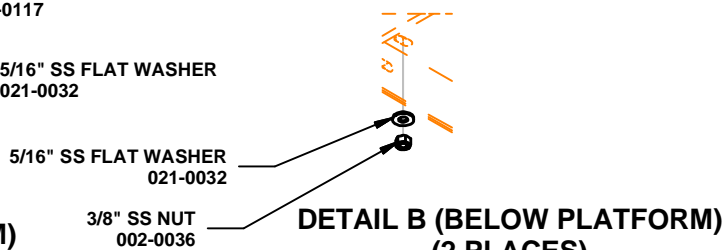
1. After platform has been installed, locate and dig footing hole as per dimensions shown. See footing detail drawing, which is located in the preface of your installation manual.
2. Attach DOUBLE SLIDE HOOD as shown in DETAIL A. Attach two BRACKET CASTINGS to post on one side. Attach both HOOD MOUNT BRACKETS to the double slide hood. Slide the TUBE 1.315" X 48 3/4" into the hole in the hood and center it. Bring the hood to one post, slide the upper tube and the mount bracket into the bracket castings attached to the post. Slide the bracket castings onto the upper tube and the lower mount bracket on the opposite side, rotate the hood into the other post and attach the bracket castings to the post. Make sure the hood is centered between the posts and tighten all hardware.
3. Drill 1/4" diameter hole through all 4 bracket castings and mounting tubes. Insert 1/4" X 1/2" drive rivet and engage drive rivet by hammering until pin is flush with head of rivet. See DETAIL A.
4. Attach SLIDE EXIT SUPPORTS to slide using hardware specified in DETAIL B. Tighten fasteners.
5. Attach LUGE SLIDE MID SUPPORT to slide using hardware specified in DETAIL C. Tighten fasteners.
6. Position slide into footing holes. Attach slide to platform using hardware specified in DETAIL D. Make sure that the slide is flush and tight to platform.
7. Tighten all hardware.
8. Block-up, level and plumb.
9. Pour concrete. Let set for two to three days.
10. **Install resilient material in accordance to installation guidelines, ASTM standards and CPSC guidelines.**



**DETAIL A
(2 PLACES)**

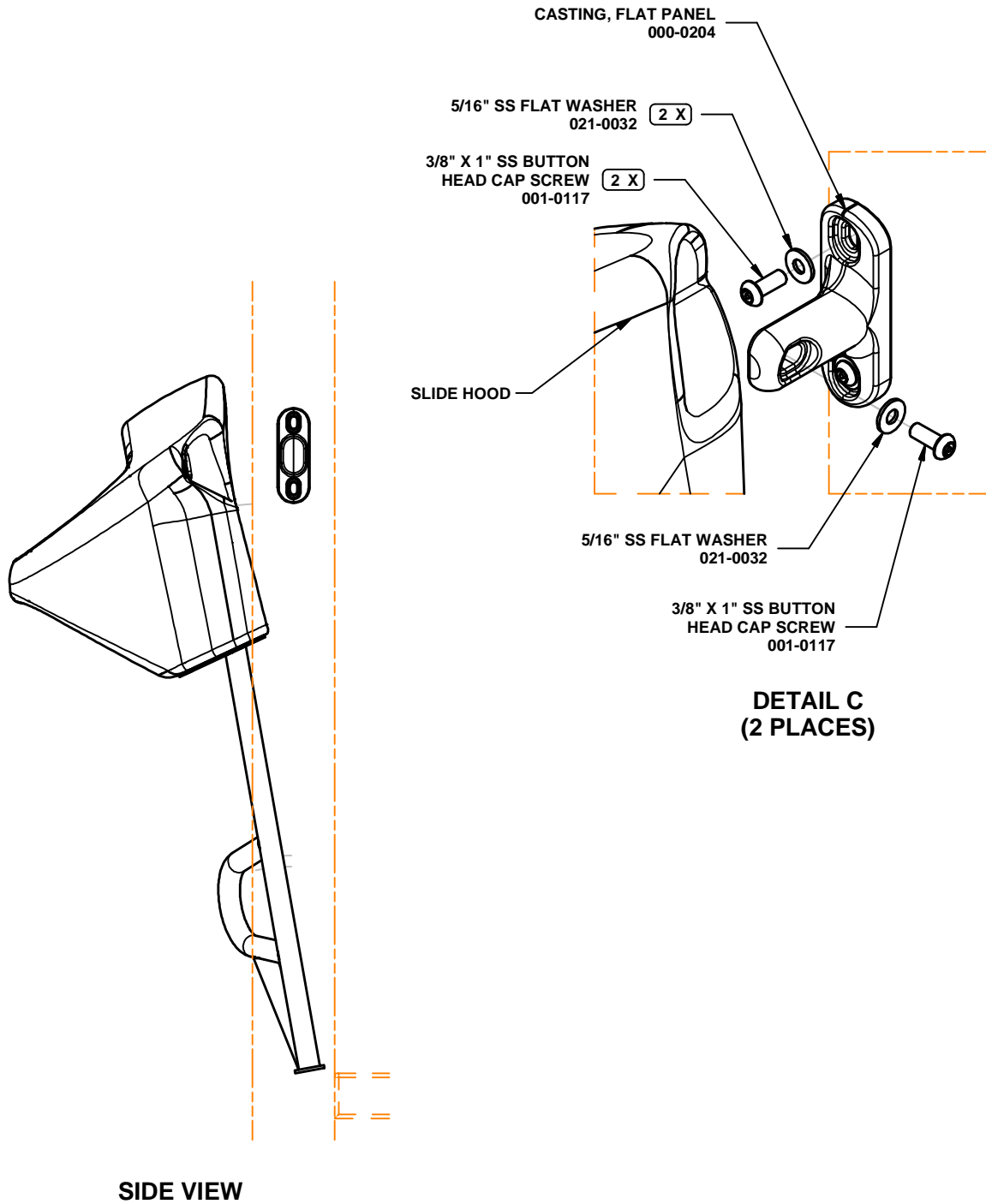


**DETAIL B (ABOVE PLATFORM)
(2 PLACES)**



**DETAIL B (BELOW PLATFORM)
(2 PLACES)**

470-0804 SLIDE HOOD, LOW SIDE WALL



470-0804 SLIDE HOOD, LOW SIDE WALL

PARTS LIST

<u>PART NO.</u>	<u>DESCRIPTION</u>	<u>QTY</u>
000-0204	CASTING, FLAT PANEL	2
018-2233	SLIDE HOOD	1
030-0050	SLIDE HOOD WELDMENT, LOW SIDE WALL, LEFT	1
030-0051	SLIDE HOOD WELDMENT, LOW SIDE WALL, RIGHT	1
036-0040	HARDWARE PACKAGE	2
036-0784	HARDWARE PACKAGE	1
036-2006	HARDWARE PACKAGE	1

NOTE: Hardware package(s) may include extra hardware that is not necessary for this installation.

SPECIFICATIONS

CASTING, FLAT PANEL: A356-T6 Aluminum, Heat- Treated. Finished with baked on powder coating.

SLIDE HOOD: Linear, low density rotationally molded, U.V. stabilized, polyethylene, .250" thick, double wall construction. Textured outside surface.

SLIDE HOOD WELDMENT, LOW SIDE WALL, LEFT; SLIDE HOOD WELDMENT, LOW SIDE WALL, RIGHT: One piece all welded construction consisting of 1.315" OD x 12 GA galvanized steel tubing and 8 GA and 10 GA galvanized steel sheeting. Finished with a baked on powder coating.

HARDWARE PACKAGE; HARDWARE PACKAGE; HARDWARE PACKAGE: Stainless steel.

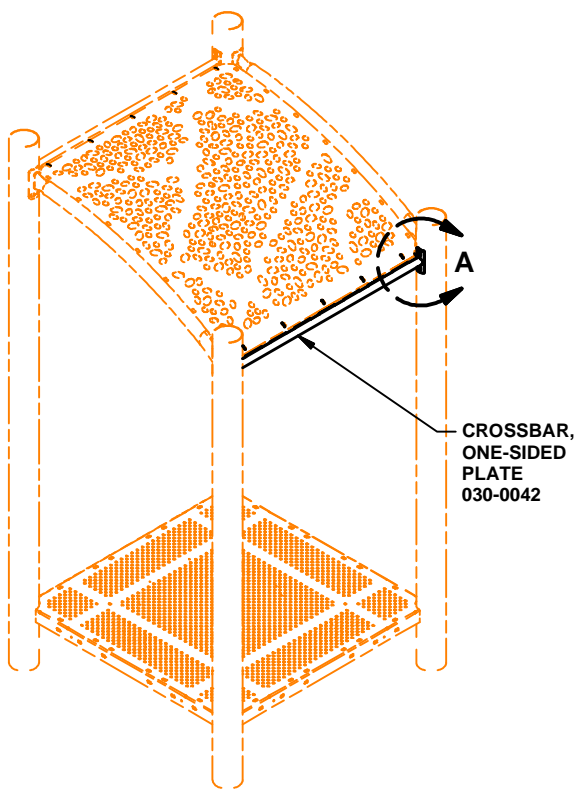
SHIPPING WEIGHT: 31 LBS.

INSTALLATION INSTRUCTIONS

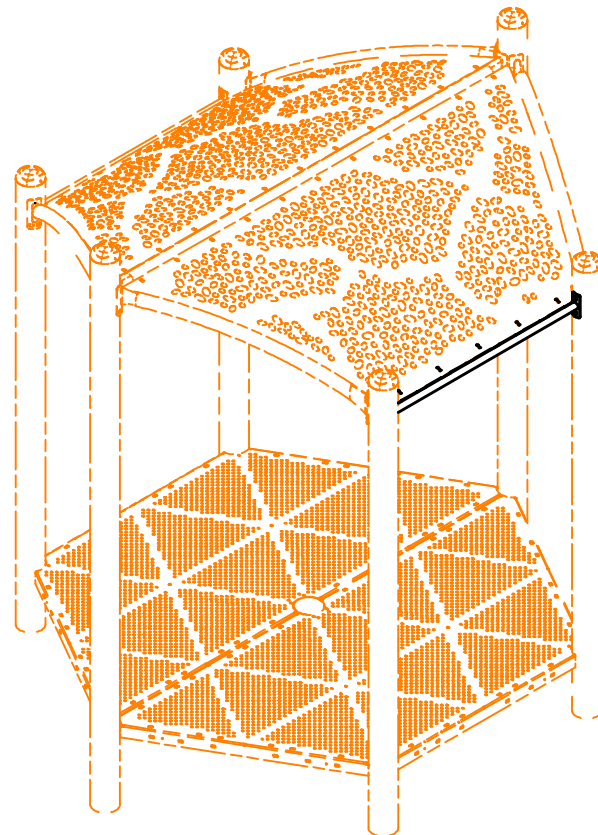
NOTE: Do not tighten hardware until instructed to do so.

1. Attach SLIDE HOOD WELDMENT, LOW SIDE WALL, LEFT and SLIDE HOOD WELDMENT, LOW SIDE WALL, RIGHT to SLIDE HOOD using hardware specified in DETAIL A. Tighten hardware.
2. Loosely fasten slide hood weldment to platform using hardware specified in DETAIL B.
3. Tilt the hood assembly out of the way and attach CASTING, FLAT PANEL using hardware in DETAIL C.
4. Tilt the hood assembly into position, against the castings, and align the slot of the casting and the nut insert of the slide hood. Hold the casting in position, move the hood out of the way, and then tighten hardware connecting the casting to the post.
5. Attach the slide hood assembly to the castings using the remaining hardware in DETAIL C.
6. Tighten all hardware.

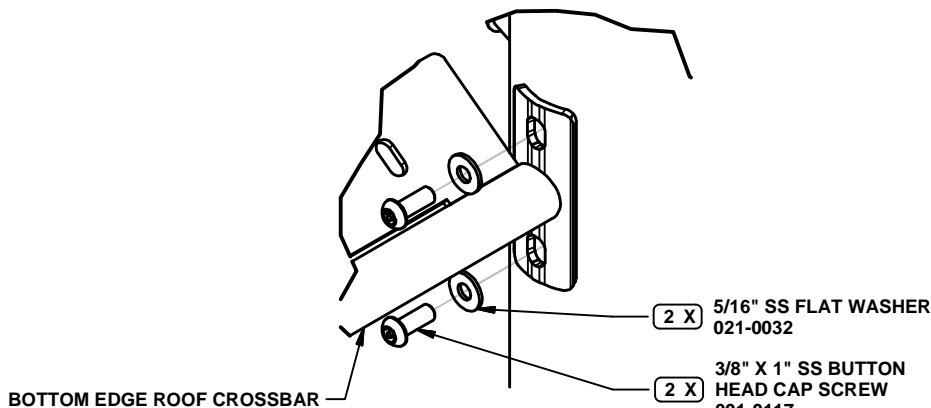
470-0808 MAY BE USED WITH A SQUARE ROOF, SQUARE ROOF ADD-ON, OR HEX ROOF. SEE RESPECTIVE INSTALLATION INSTRUCTIONS FOR COMPONENT(S) PURCHASED.



**SQUARE ROOF VIEW
(470-0765 SHOWN)**



**HEX ROOF VIEW
(470-0766 SHOWN)**



**DETAIL A
(2 PLACES)
(HARDWARE COMES WITH
MAIN ROOF ASSEMBLY)**

470-0808 EVOLUTION ROOF BOTTOM EDGE

PARTS LIST

<u>PART NO.</u>	<u>DESCRIPTION</u>	<u>QTY</u>
030-0042	CROSSBAR, ONE-SIDED PLATE	1

NOTE: Hardware package(s) may include extra hardware that is not necessary for this installation.

SPECIFICATIONS

CROSSBAR, ONE-SIDED PLATE: One piece all welded construction consisting of 7 GA stainless steel sheet, 8 GA galvanized steel plating, and 1.315" OD x 12 GA galvanized steel tubing. Finished with a baked on powder coating.

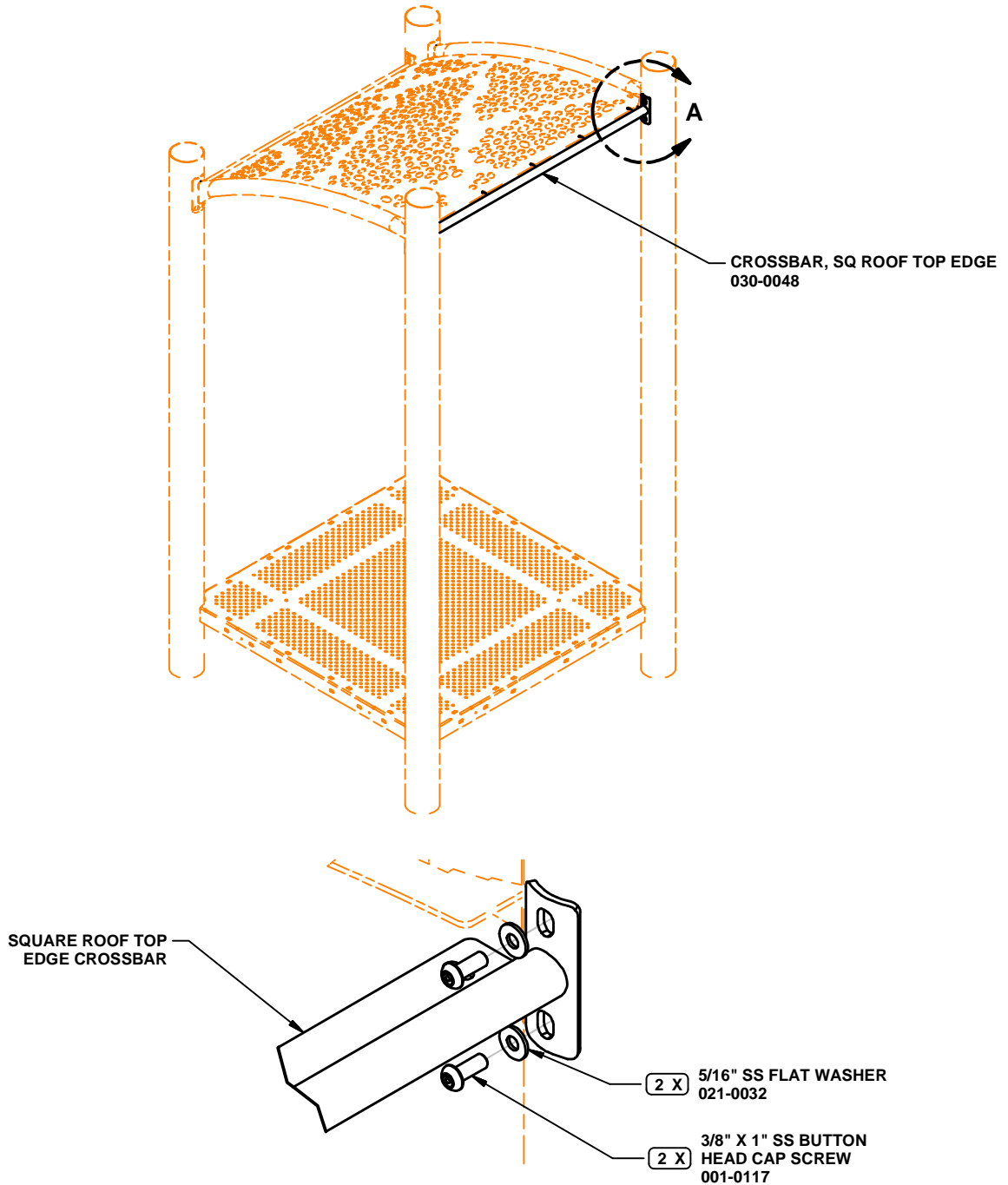
SHIPPING WEIGHT: 12 LBS.

INSTALLATION INSTRUCTIONS

NOTE: Attach this crossbar before assembling the square or hex roof.

1. Attach CROSSBAR, ONE-SIDED PLATE to posts using hardware specified in DETAIL A
2. Refer to the roof installation instructions to complete assembly.

**470-0809 MAY BE USED WITH A SQUARE ROOF OR SQUARE ROOF ADD-ON (NOT SHOWN).
SEE RESPECTIVE INSTALLATION INSTRUCTIONS FOR COMPONENT(S) PURCHASED.**



**DETAIL A
(2 PLACES)
(HARDWARE COMES WITH
MAIN ROOF ASSEMBLY)**

470-0809 SQUARE ROOF TOP EDGE, ONE SIDE

PARTS LIST

<u>PART NO.</u>	<u>DESCRIPTION</u>	<u>QTY</u>
030-0048	CROSSBAR, SQ ROOF TOP EDGE	1

NOTE: Hardware package(s) may include extra hardware that is not necessary for this installation.

SPECIFICATIONS

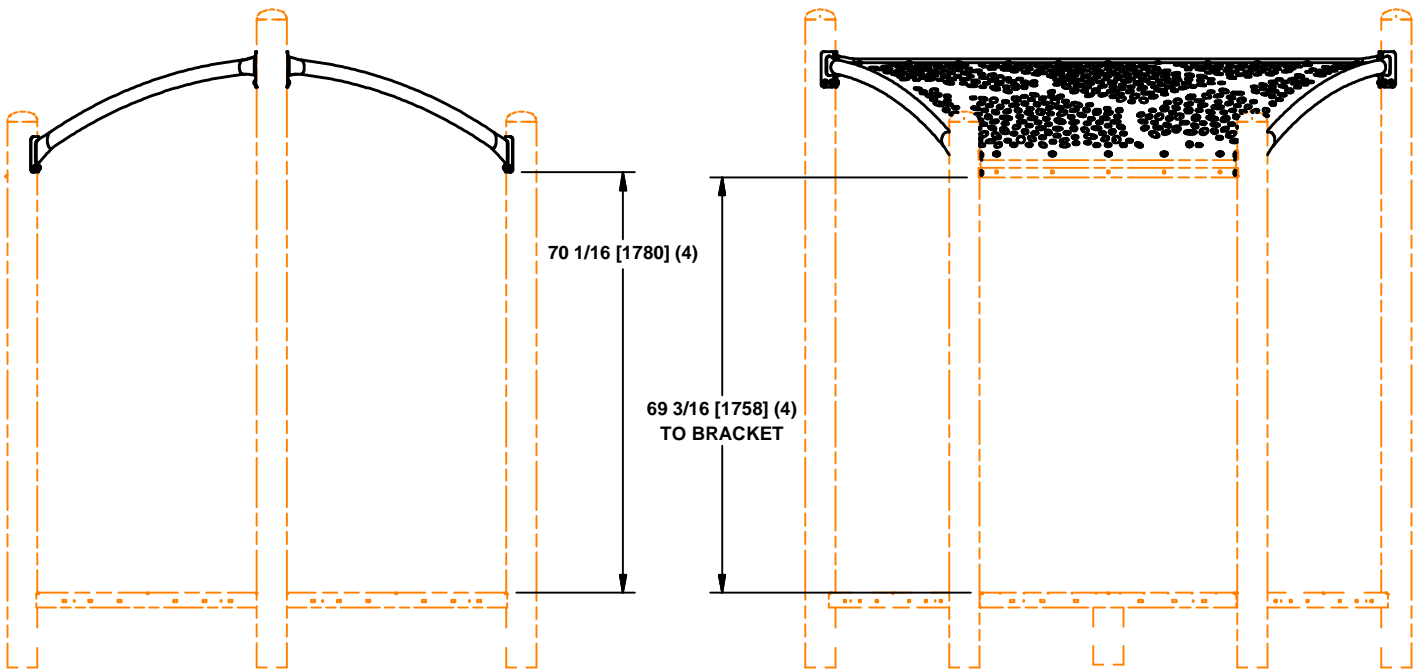
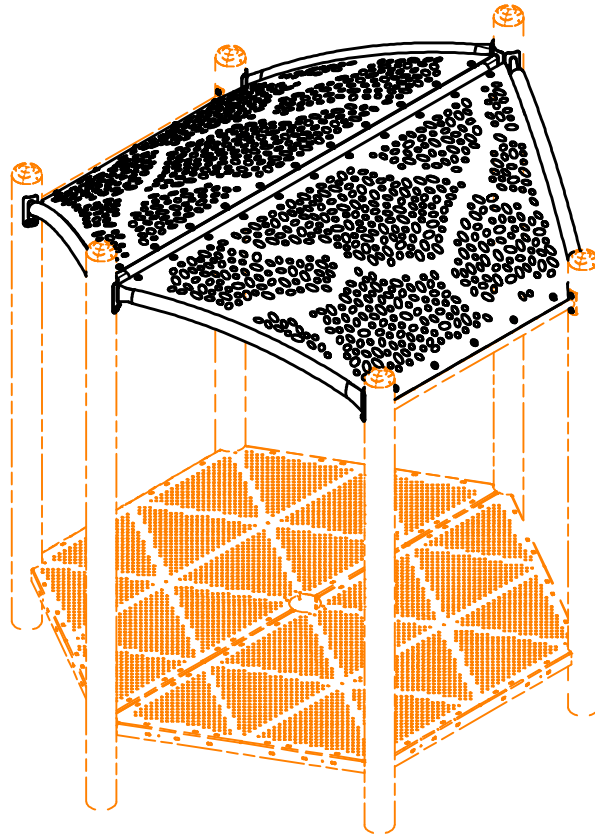
CROSSBAR, SQ ROOF TOP EDGE: One piece all welded construction consisting of 7 GA stainless steel sheeting, 8 GA galvanized steel plating, and 1.315" OD x 12 GA galvanized steel tubing. Finished with a baked on powder coating.

SHIPPING WEIGHT: 12 LBS.

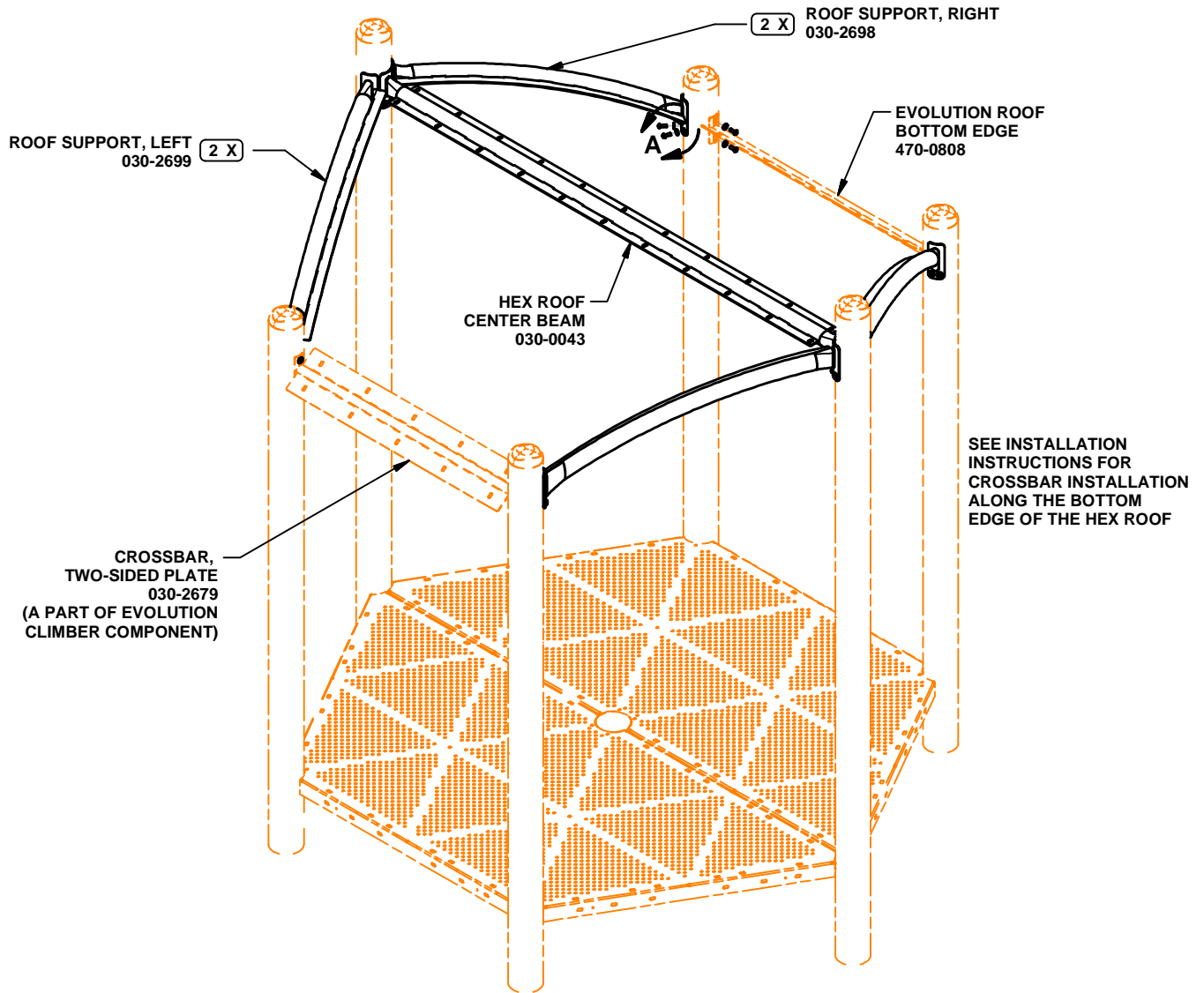
INSTALLATION INSTRUCTIONS

NOTE: Attach this crossbar before assembling the square roof.

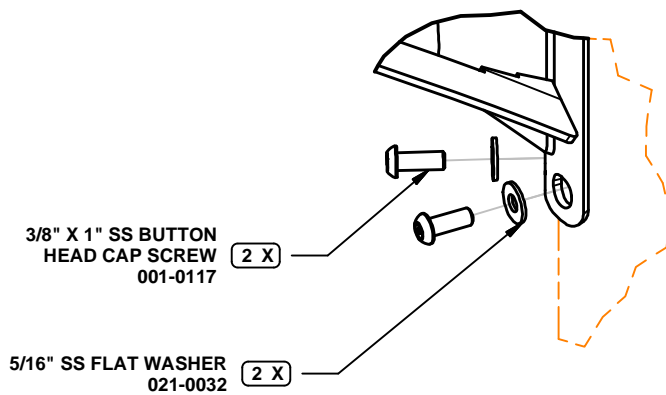
1. Attach CROSSBAR, SQ ROOF TOP EDGE to posts using hardware specified in DETAIL A
2. Refer to the roof installation instructions to complete assembly.



470-0813 EVOLUTION HEX ROOF

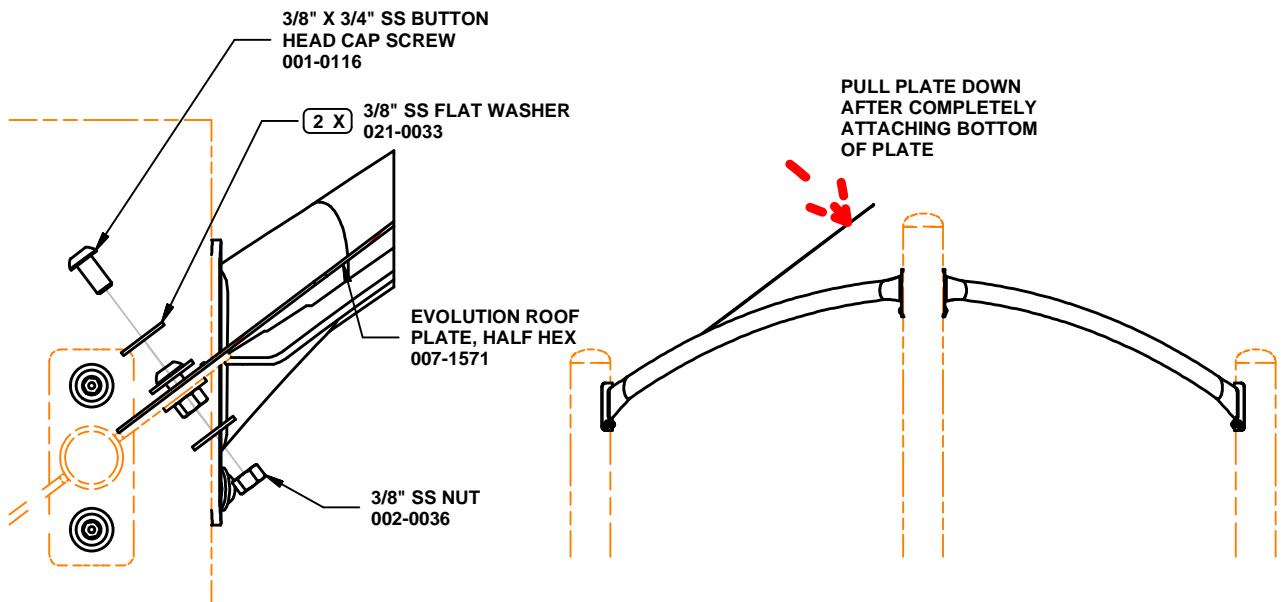
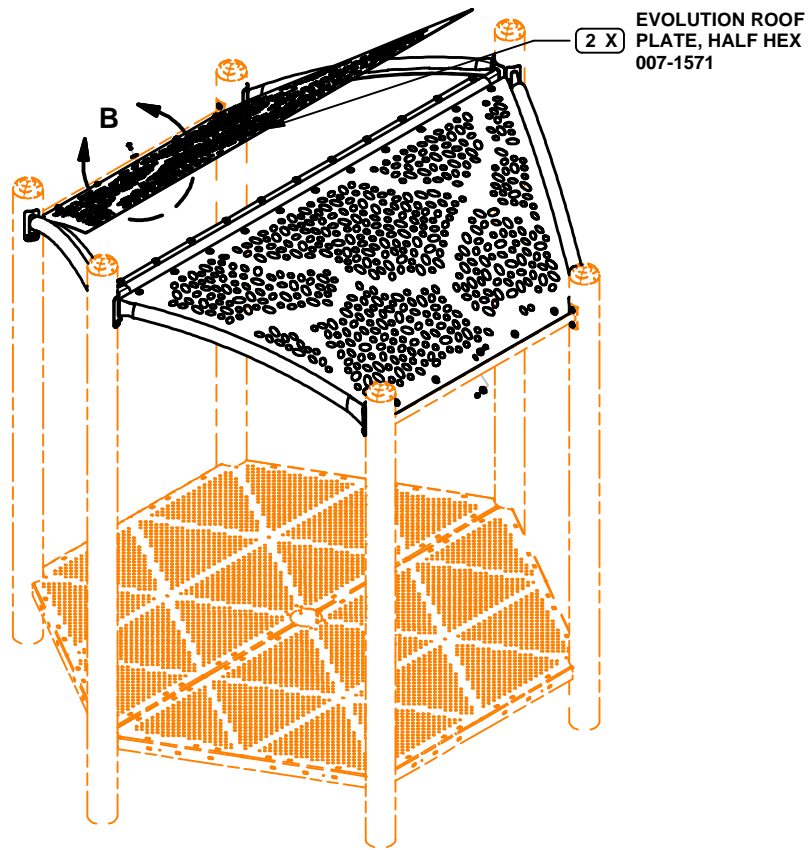


SEE INSTALLATION INSTRUCTIONS FOR CROSSBAR INSTALLATION ALONG THE BOTTOM EDGE OF THE HEX ROOF



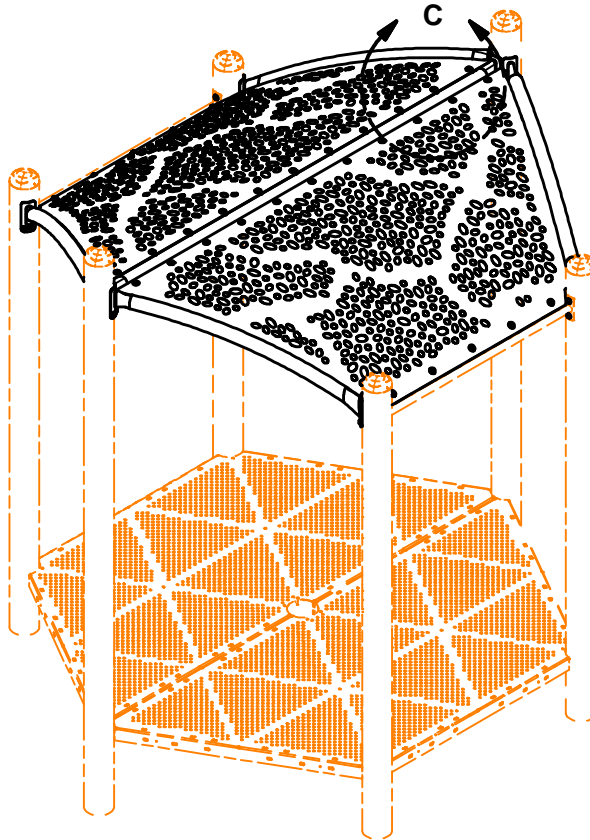
DETAIL A
(10 PLACES)
(BRACKETS ON 030-0043,
030-2698, & 030-2699)

470-0813 EVOLUTION HEX ROOF



DETAIL B
(32 PLACES)
(SEE DETAIL C FOR ATTACHING PLATE TO CENTER BEAM)

470-0813 EVOLUTION HEX ROOF



HEX ROOF CENTER BEAM
030-0043

EVOLUTION ROOF
PLATE, HALF HEX
007-1571

3/8" X 2 1/2" SS BUTTON
HEAD CAP SCREW
W/O LOCTITE
001-0190

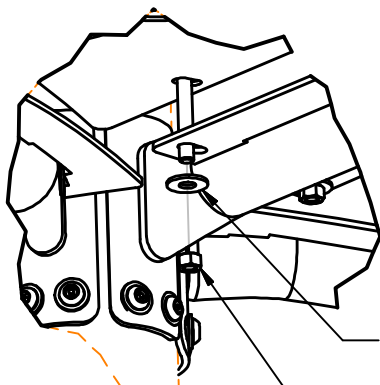
2 X

3/8" SS FLAT WASHER
021-0033

2 X

***USE 2 1/2" SCREWS
TO BEGIN FORMING
CURVE OF PLATE AND
FULLY TIGHTEN WITH
001-0116 & 021-0033
IN THE MIDDLE SLOT.
**START AT ONE END
AND SECURE SLOT-BY-
SLOT FOR BEST RESULTS.**

DETAIL C-A



2 X 3/8" SS FLAT WASHER
021-0033

2 X 3/8" SS NUT
002-0036

DETAIL C-B

470-0813 EVOLUTION HEX ROOF

PARTS LIST

PART NO.	DESCRIPTION	QTY
007-1571	EVOLUTION ROOF PLATE, HALF HEX	2
030-0043	HEX ROOF CENTER BEAM	1
030-2698	ROOF SUPPORT, RIGHT	2
030-2699	ROOF SUPPORT, LEFT	2
036-1486	HARDWARE PACKAGE	1

NOTE: Hardware package(s) may include extra hardware that is not necessary for this installation.

SPECIFICATIONS

EVOLUTION ROOF PLATE, HALF HEX: 14 GA galvanized sheet. Finished with a baked on powder coating.

HEX ROOF CENTER BEAM; ROOF SUPPORT, RIGHT; ROOF SUPPORT, LEFT: One piece all welded construction consisting of 7 GA stainless steel sheet, 8 GA galvanized plating, and 2.375" OD x 10 GA galvanized tubing. Finished with a baked on powder coating.

HARDWARE PACKAGE: Stainless Steel.

SHIPPING WEIGHT: 211 LBS.

INSTALLATION INSTRUCTIONS

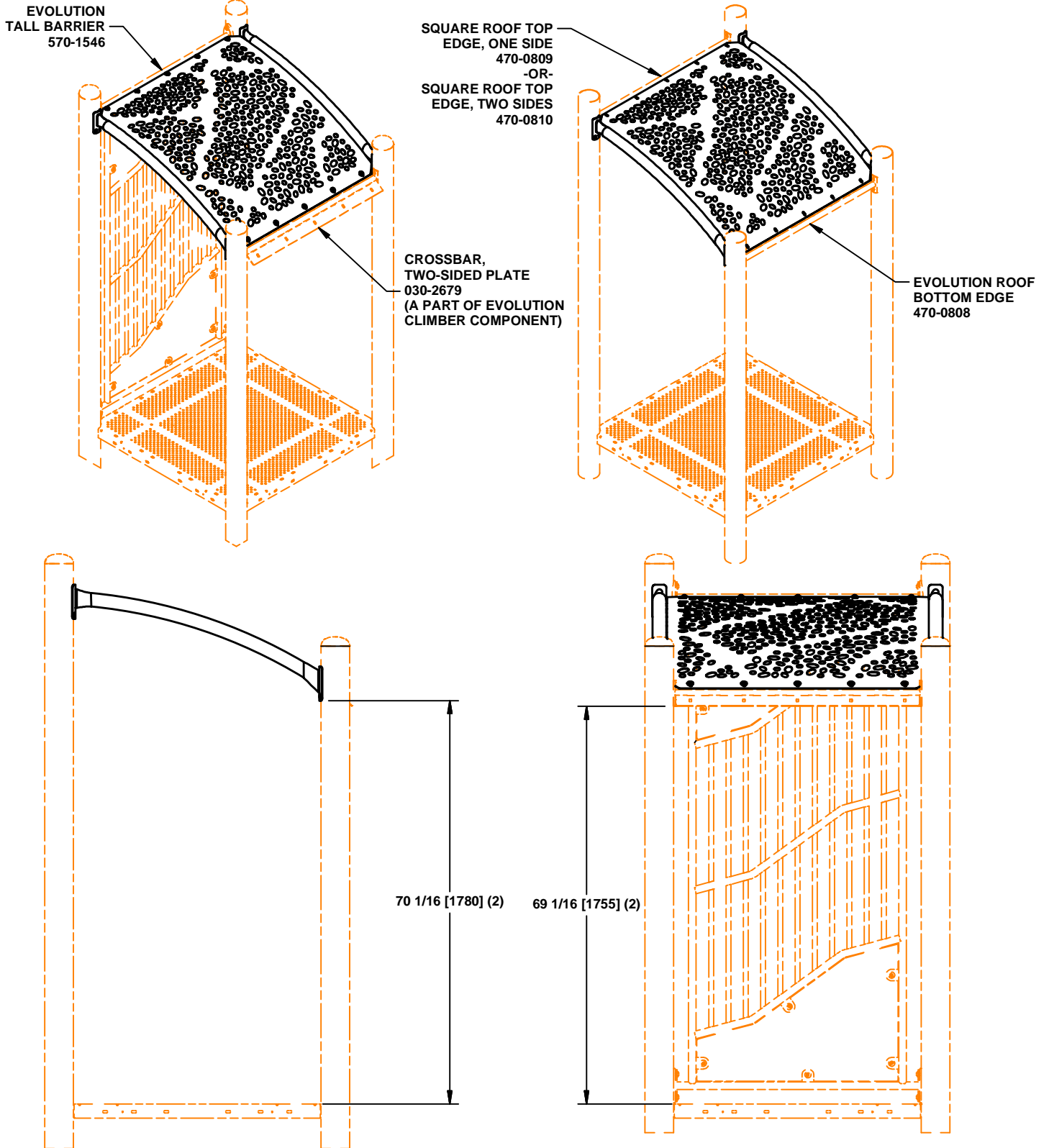
NOTE: Do not tighten hardware until told to do so.

NOTE: Mechanical lifting device is required.

1. Install HEX ROOF CENTER BEAM, ROOF SUPPORT, RIGHT, and ROOF SUPPORT, LEFT using hardware as specified in DETAIL A.
2. Lift EVOLUTION ROOF PLATE, HALF HEX and attach bottom of plate to crossbar using hardware as specified in DETAIL B.
3. Pull top of plate towards center beam and attach one corner with 3/8" x 2 1/2" SS BUTTON HEAD CAP SCREWS as specified in DETAIL C. **NOTE:** Leave a slot between each 2 1/2" screw.
4. Tighten 2 1/2" screws enough to fasten with hardware as specified in DETAIL C in open slot between 2 1/2" screws.
5. Remove 2 1/2" screws and repeat STEP 4, working from one corner to the other, until all 3/8" x 3/4" screws are installed. **NOTE:** The 2 1/2" screws should all be replaced with the 3/4" screws.
6. Repeat STEPS 2-5 to install other side. A person in a lift will be required to securely fasten the top of the second plate to the center beam.
7. Tighten all hardware.

SQUARE ROOF TOP AND BOTTOM EDGE CAN ATTACH TO FIVE DIFFERENT WELDMENTS

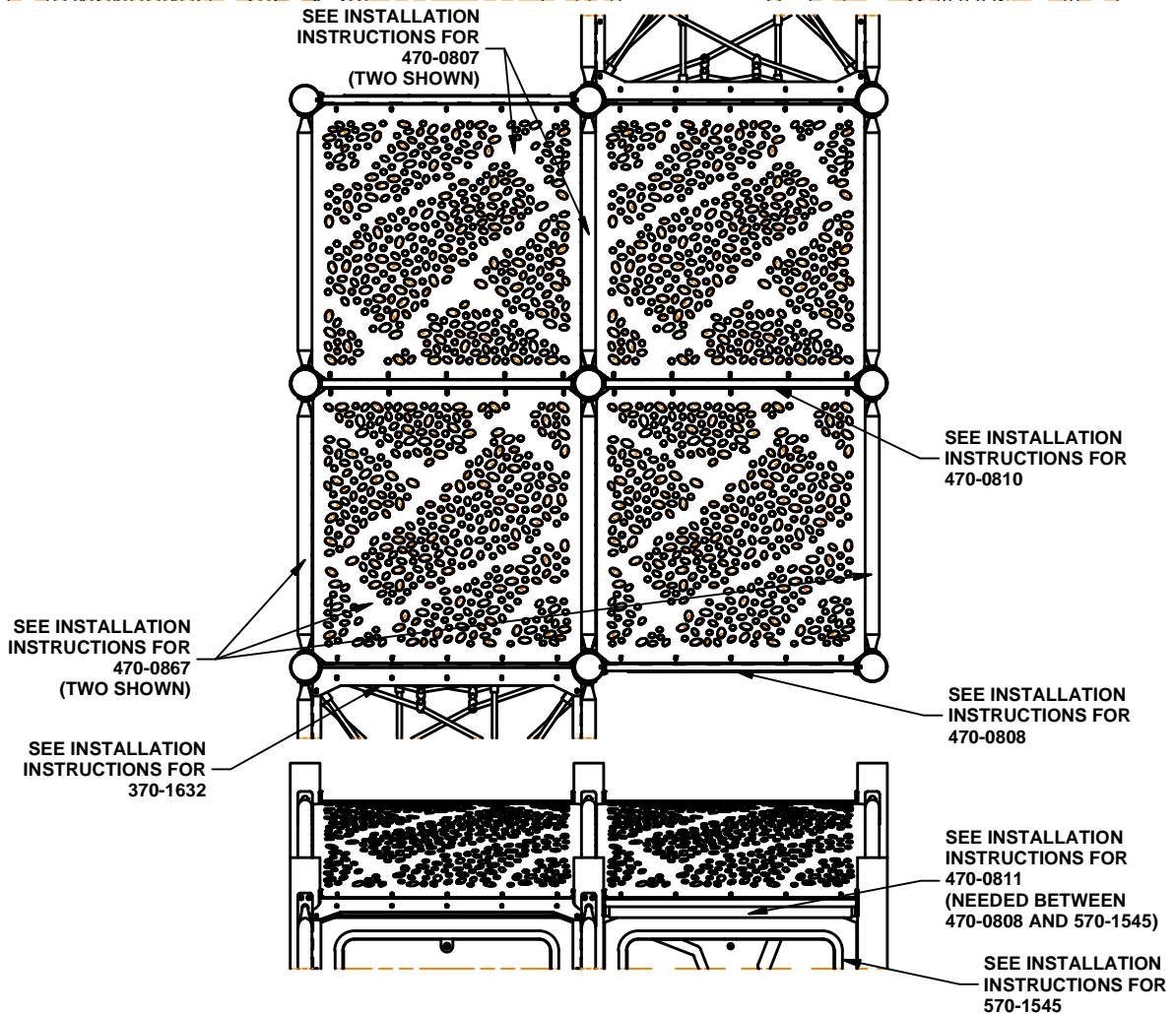
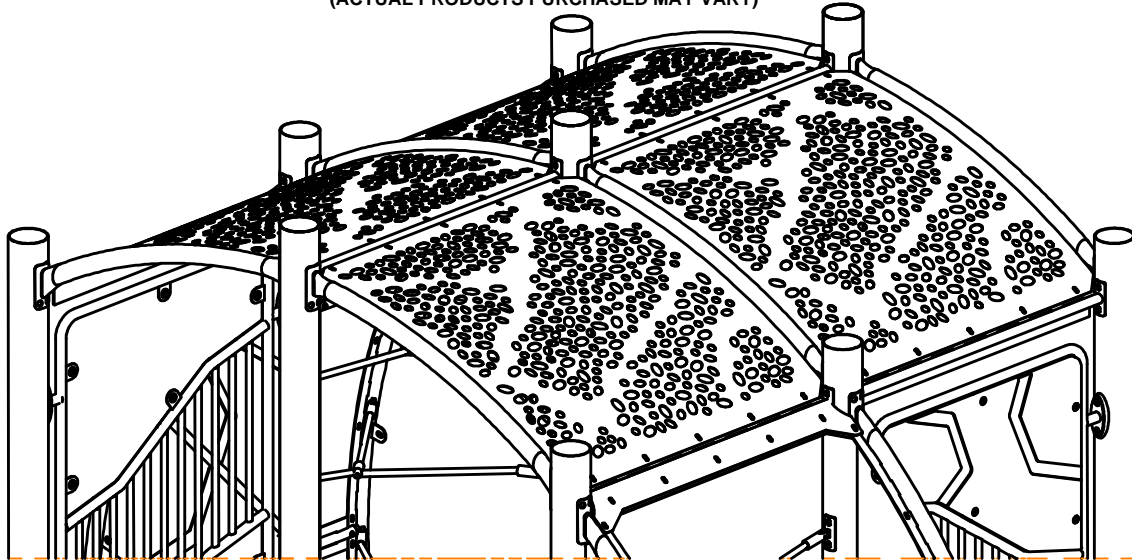
(PARTS SPECIFIED ON THIS PAGE ARE NOT INCLUDED WITH THIS COMPONENT)



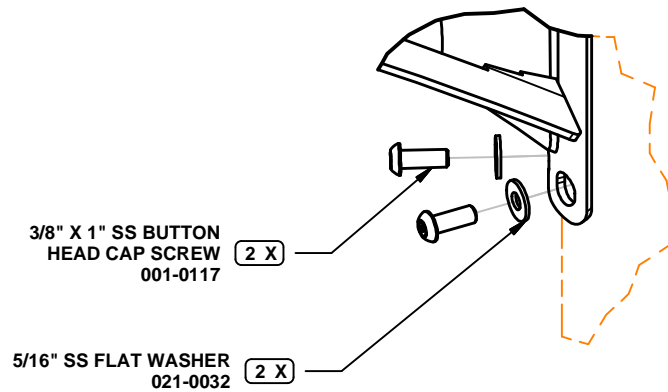
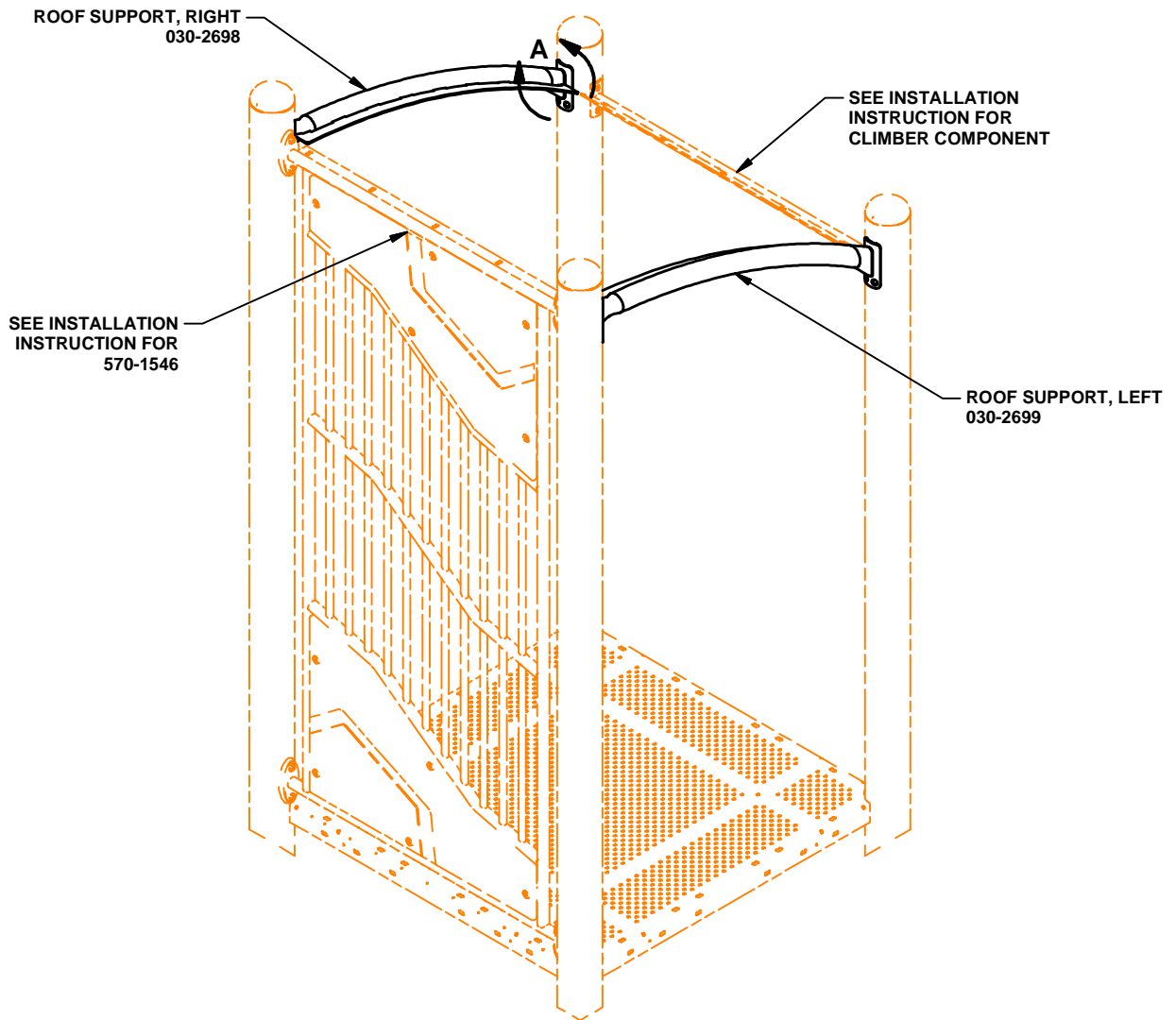
470-0867 EVOLUTION SQUARE ROOF

THIS PAGES SHOWS EXAMPLES OF COMPONENTS INVOLVED IN AN ADJACENT SQUARE ROOF SETUP.

(ACTUAL PRODUCTS PURCHASED MAY VARY)

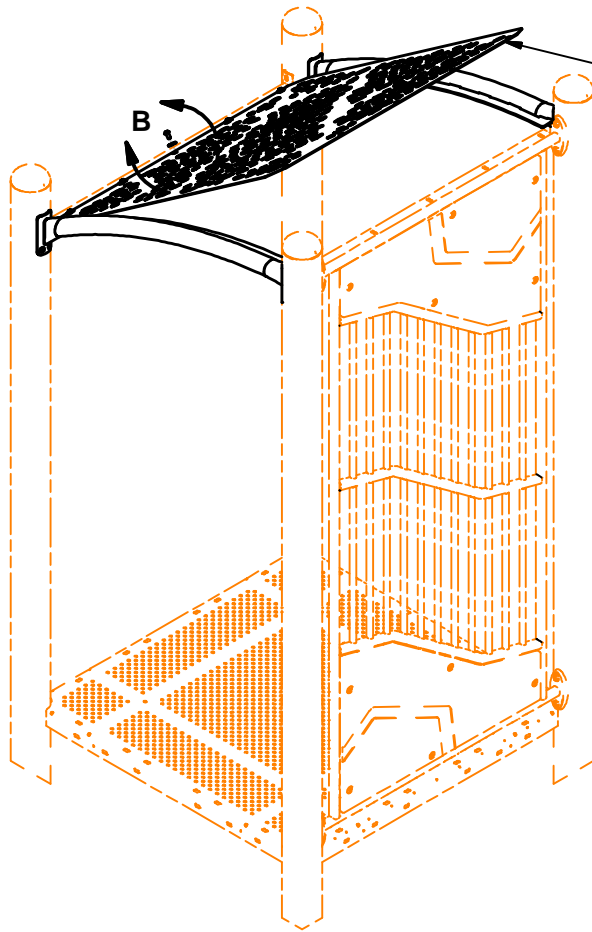


470-0867 EVOLUTION SQUARE ROOF



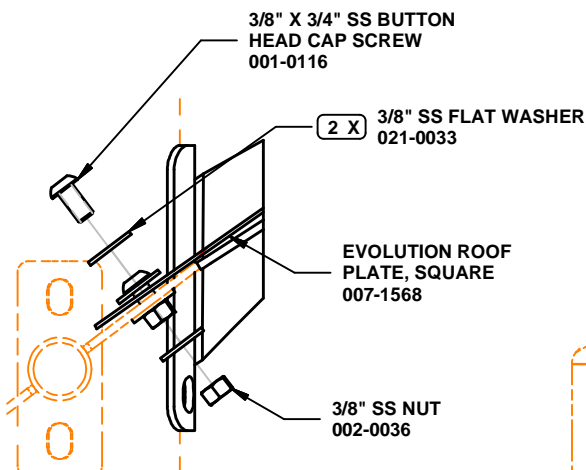
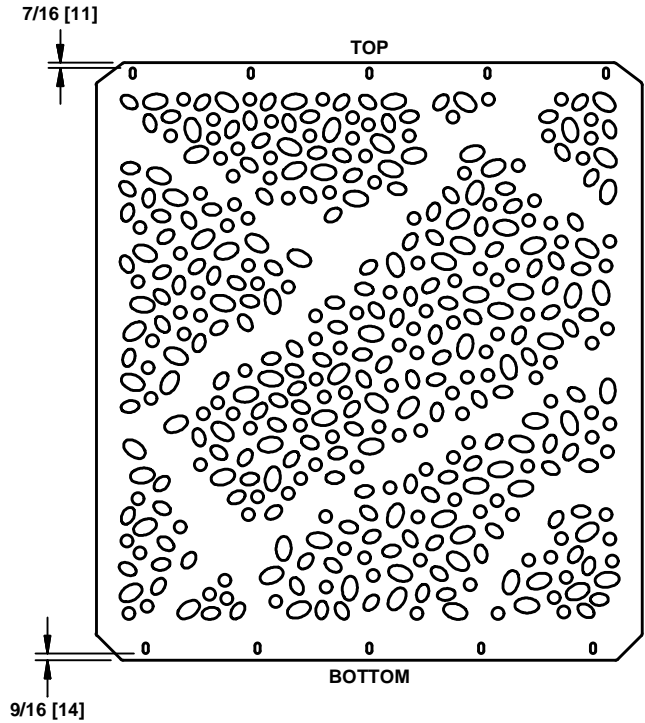
DETAIL A
(4 PLACES)

470-0867 EVOLUTION SQUARE ROOF

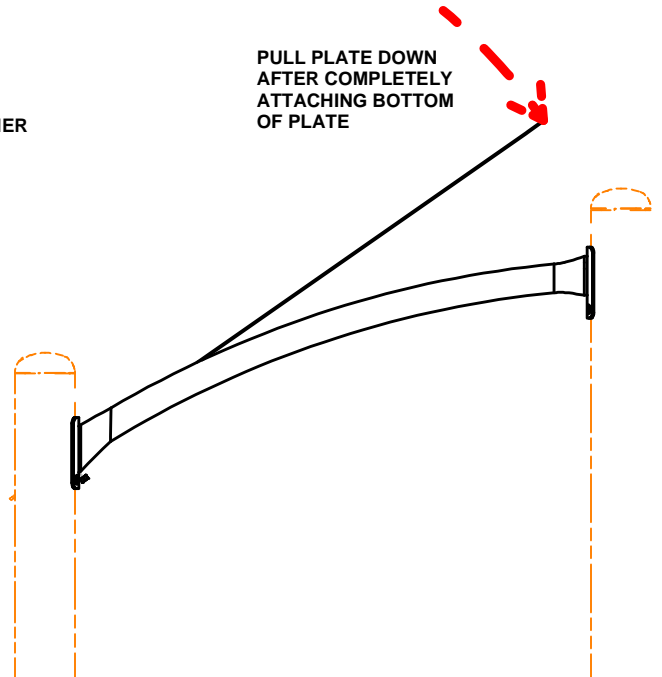


EVOLUTION ROOF
PLATE, SQUARE
007-1568

*MAKE SURE ROOF PLATE
IS ORIENTATED CORRECTLY
BEFORE FASTENING.

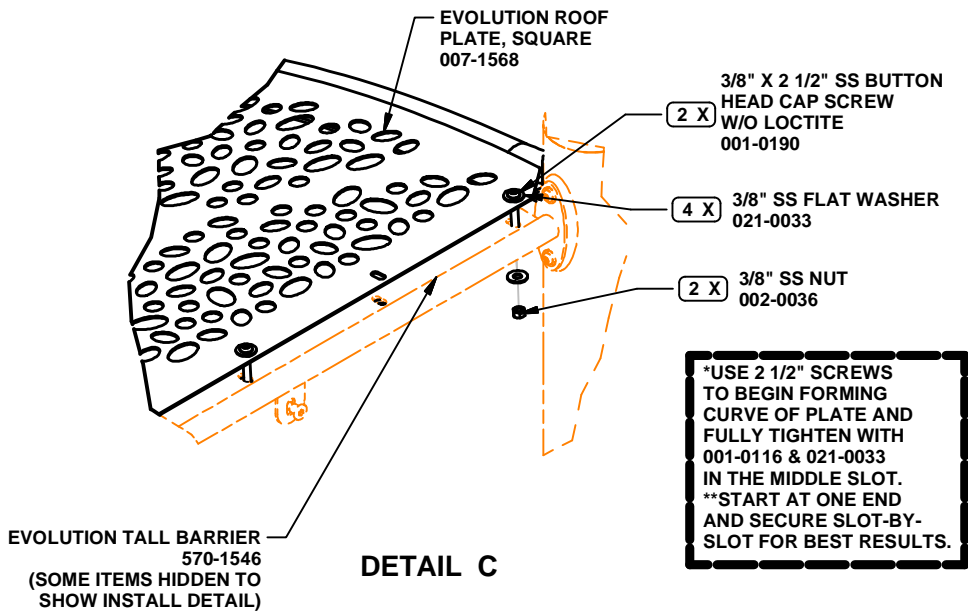
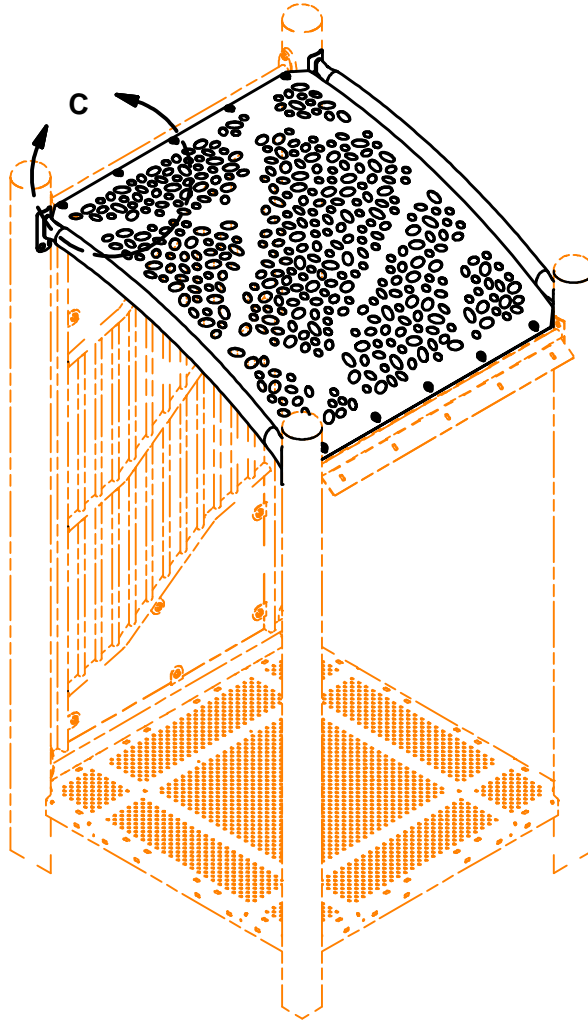


PULL PLATE DOWN
AFTER COMPLETELY
ATTACHING BOTTOM
OF PLATE



**DETAIL B
(10 PLACES)
(SEE DETAIL C FOR ATTACHING
PLATE TO 570-1546)**

470-0867 EVOLUTION SQUARE ROOF



470-0867 EVOLUTION SQUARE ROOF

PARTS LIST

PART NO.	DESCRIPTION	QTY
007-1568	EVOLUTION ROOF PLATE, SQUARE	1
030-2698	ROOF SUPPORT, RIGHT	1
030-2699	ROOF SUPPORT, LEFT	1
036-1496	HARDWARE PACKAGE	1

NOTE: Hardware package(s) may include extra hardware that is not necessary for this installation.

SPECIFICATIONS

EVOLUTION ROOF PLATE, SQUARE: 14 GA galvanized sheet. Finished with a baked on powder coating.

ROOF SUPPORT, RIGHT; ROOF SUPPORT, LEFT: One piece all welded construction consisting of 7 GA stainless steel sheet, 8 GA galvanized plating, and 2.375" OD x 10 GA galvanized tubing. Finished with a baked on powder coating.

HARDWARE PACKAGE: Stainless Steel.

SHIPPING WEIGHT: 75 LBS.

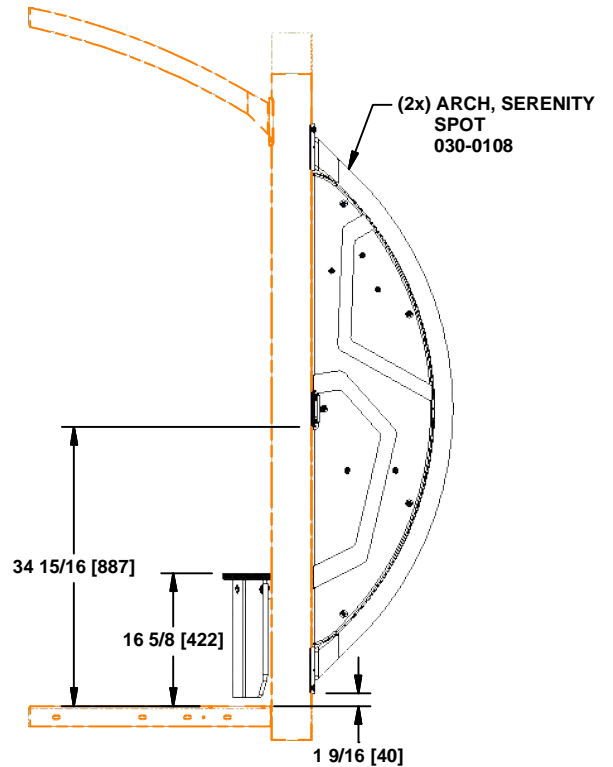
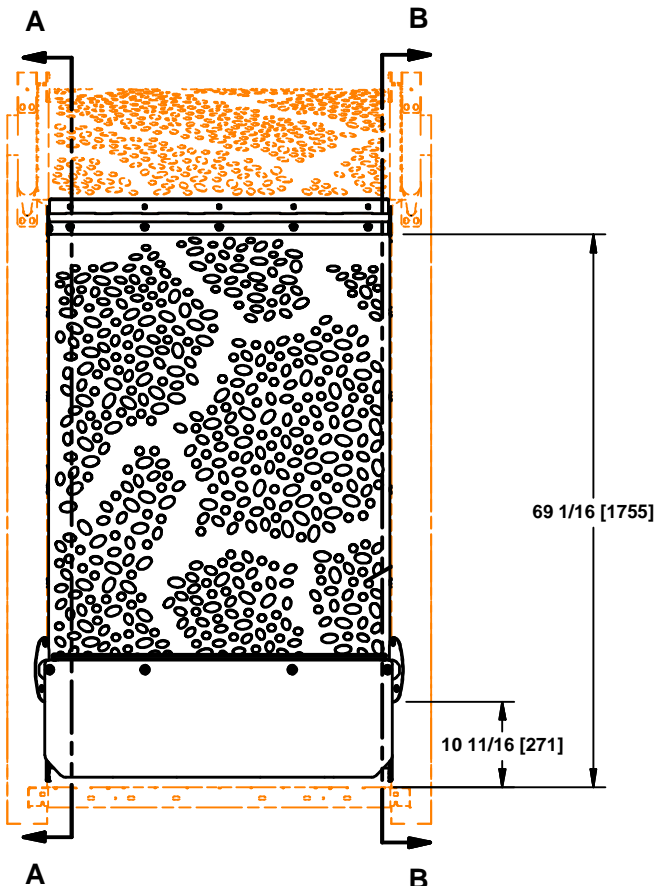
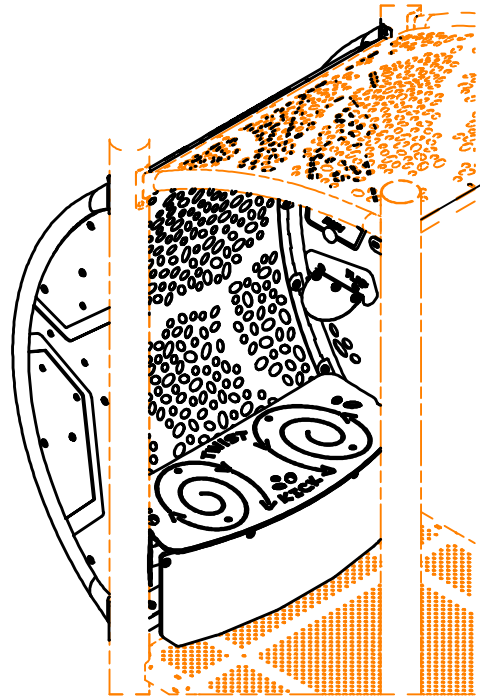
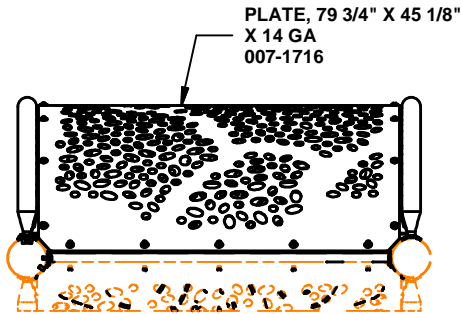
INSTALLATION INSTRUCTIONS

NOTE: Install components along the top and bottom edge of the roof before installing roof.

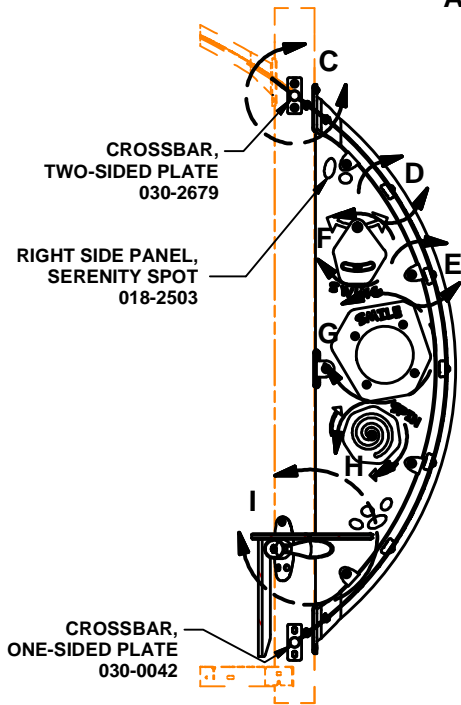
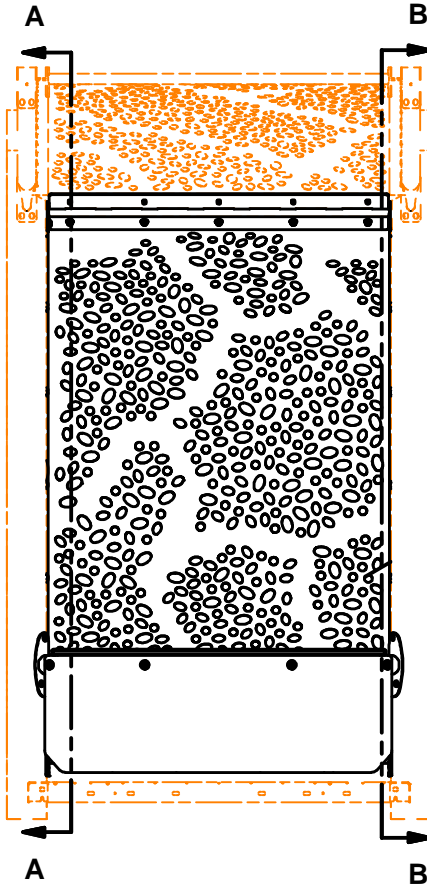
NOTE: Do not tighten hardware until told to do so.

NOTE: Mechanical lifting device is required.

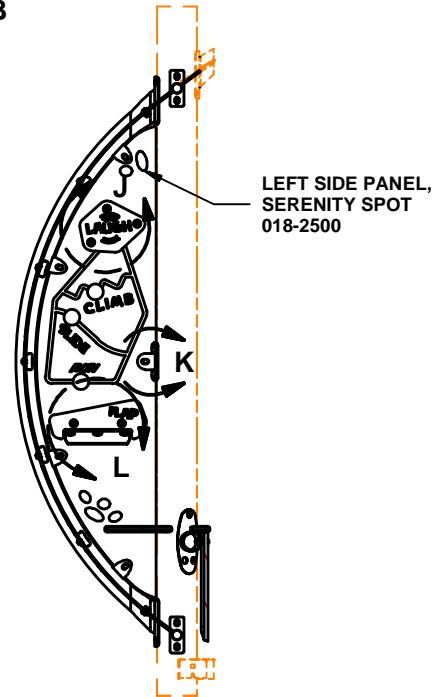
1. Install ROOF SUPPORT, RIGHT and ROOF SUPPORT, LEFT using hardware as specified in DETAIL A.
2. Lift EVOLUTION ROOF PLATE, SQUARE and attach bottom of plate to crossbar using hardware as specified in DETAIL B.
3. Pull top of plate towards component on the top edge and attach one corner with 3/8" x 2 1/2" SS BUTTON HEAD CAP SCREWS as specified in DETAIL C. **NOTE:** Leave a slot between each 2 1/2" screw.
4. Tighten 2 1/2" screws enough to fasten with hardware as specified in DETAIL B in open slot between 2 1/2" screws.
5. Remove 2 1/2" screws and repeat STEP 4, working from one corner to the other, until all 3/8" x 3/4" screws are installed. **NOTE:** The 2 1/2" screws should all be replaced with the 3/4" screws.
6. Tighten all hardware.



470-0868 SERENITY SPOT, TO ROOF

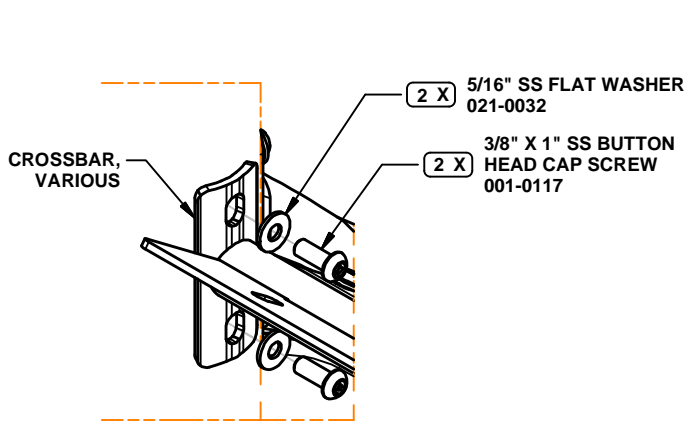


SECTION A-A

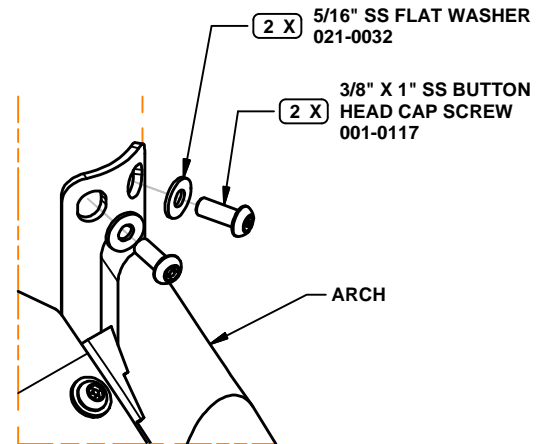


SECTION B-B

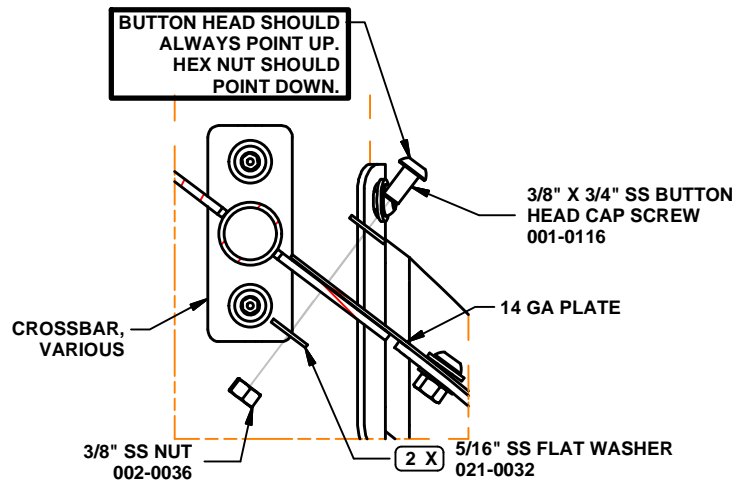
470-0868 SERENITY SPOT, TO ROOF



**DETAIL CA
(4 PLACES)**

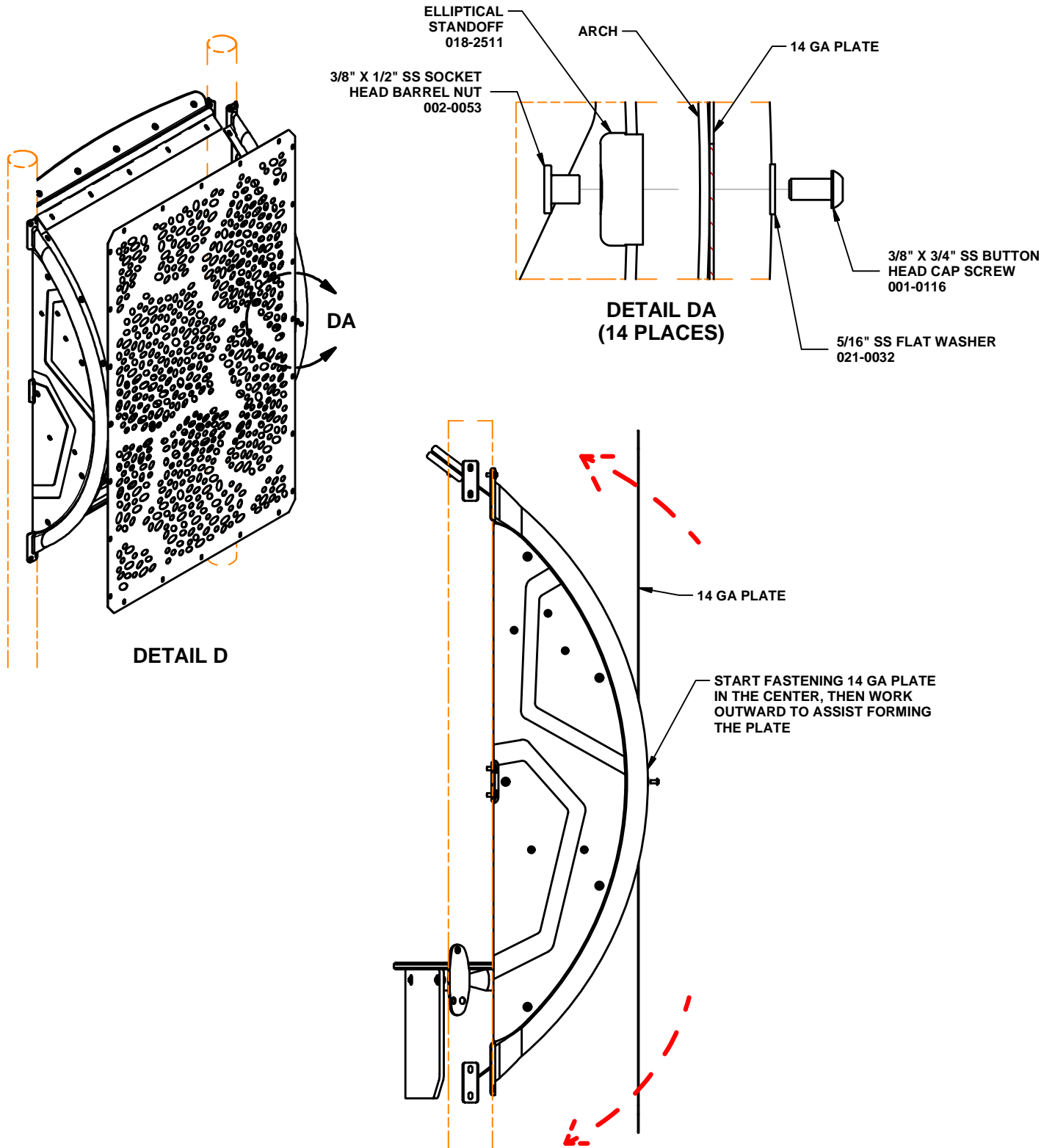


**DETAIL CB
(4 PLACES)**

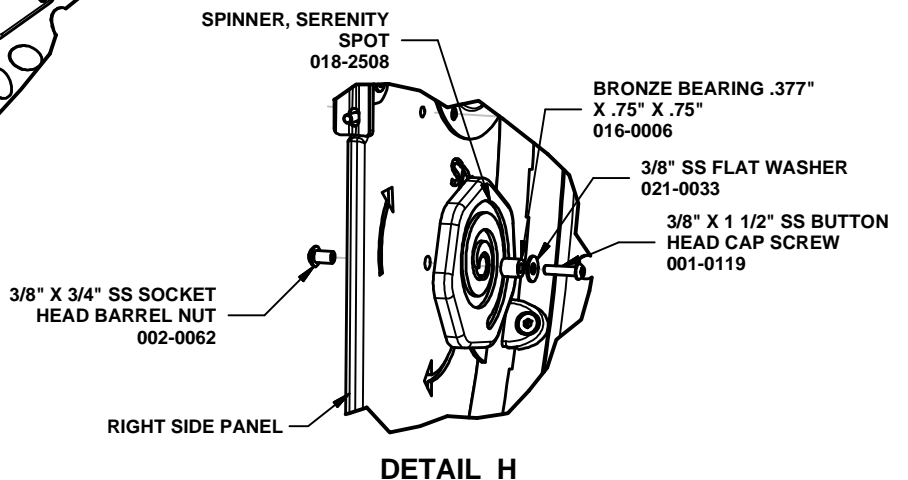
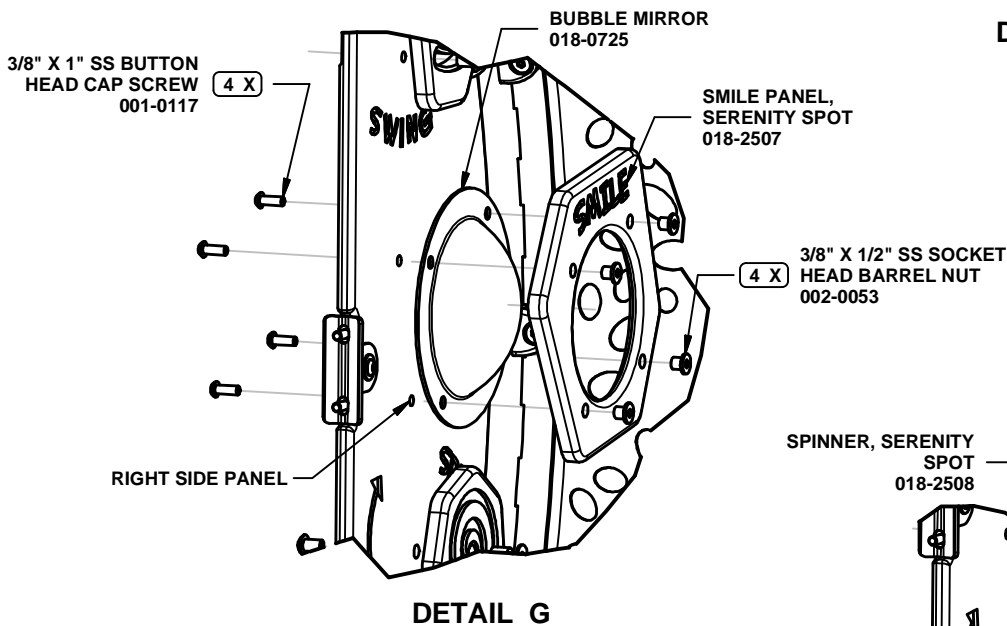
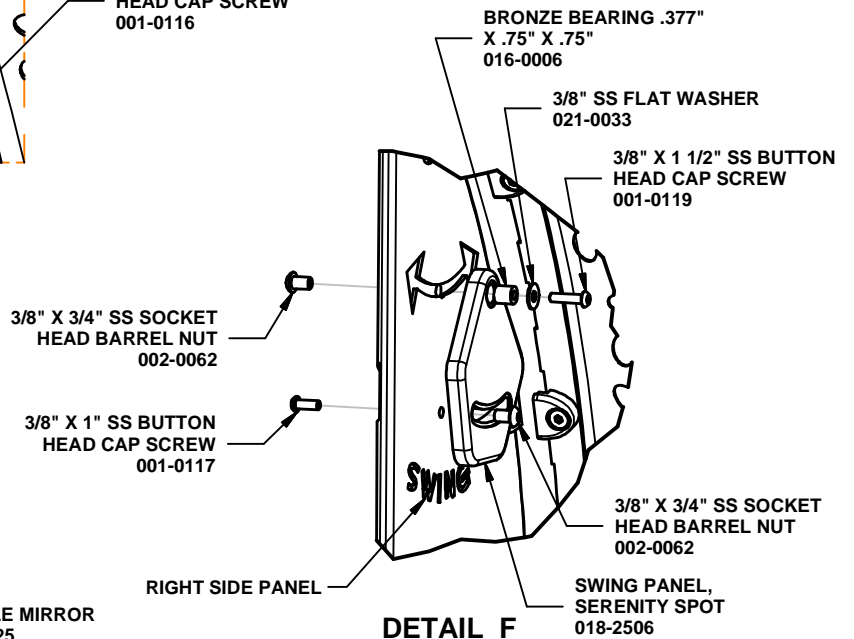
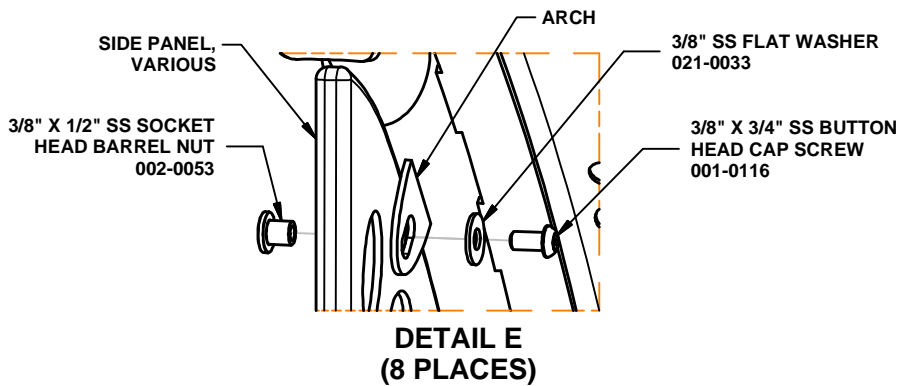


**DETAIL CC
(10 PLACES)**

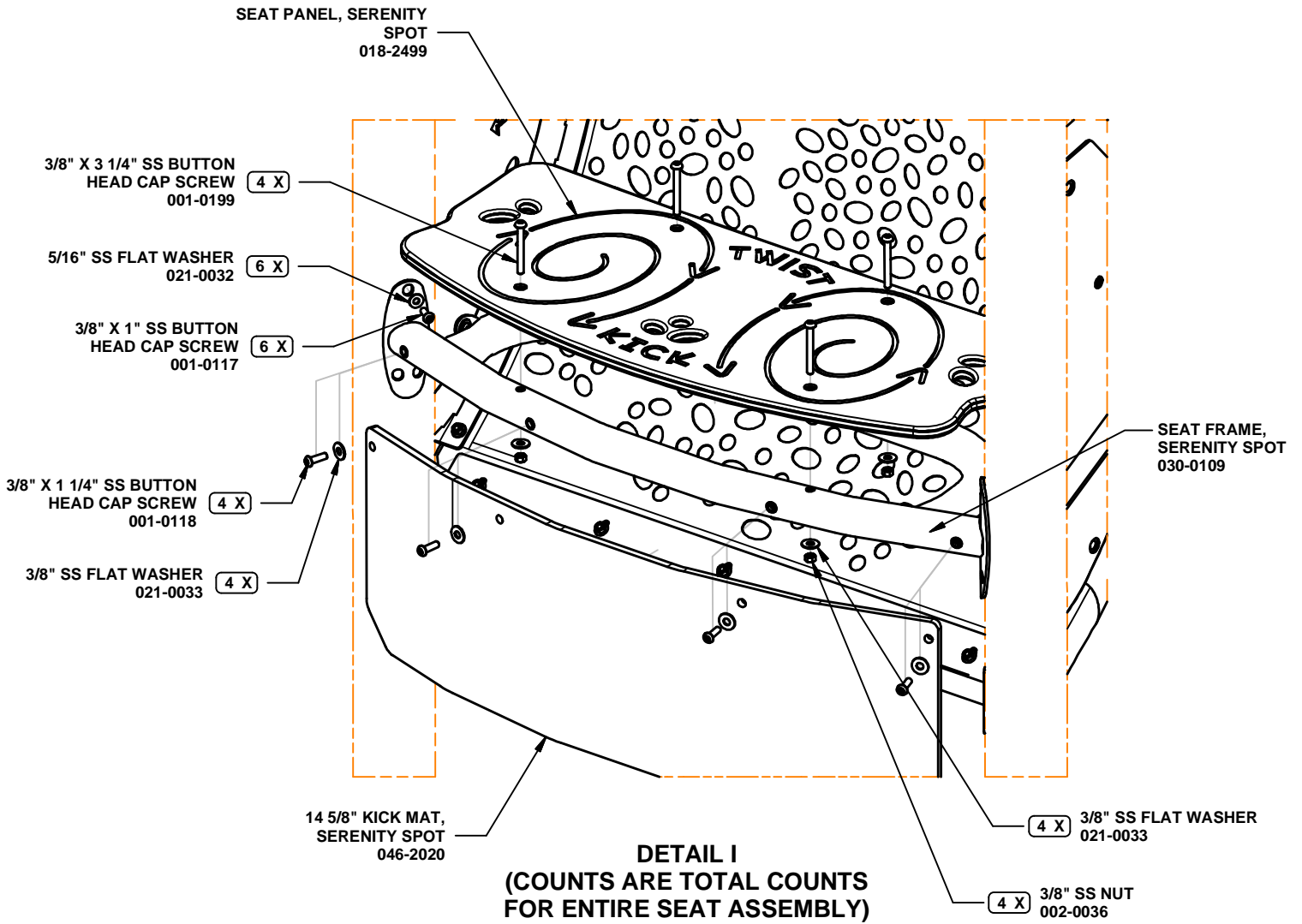
470-0868
SERENITY SPOT, TO ROOF



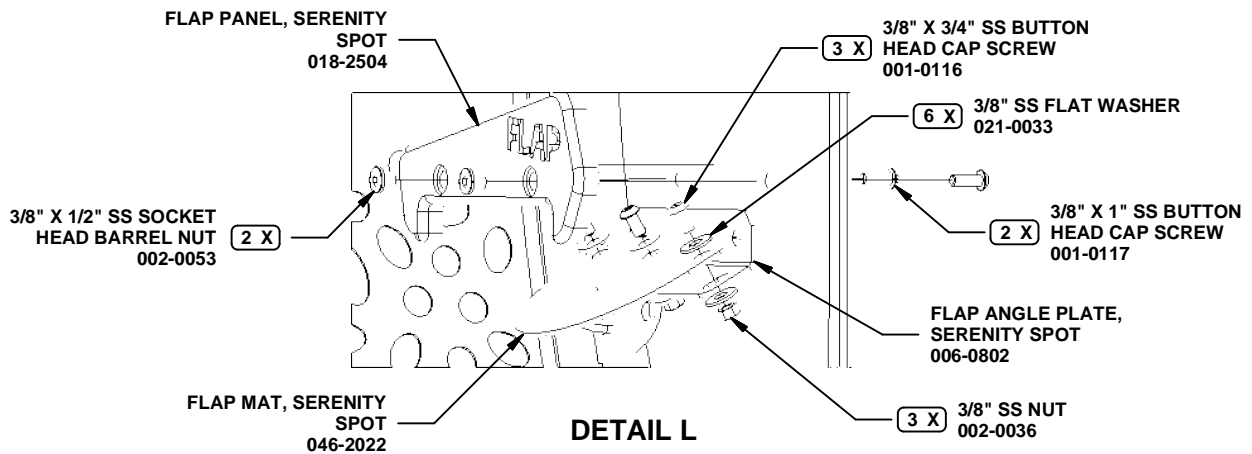
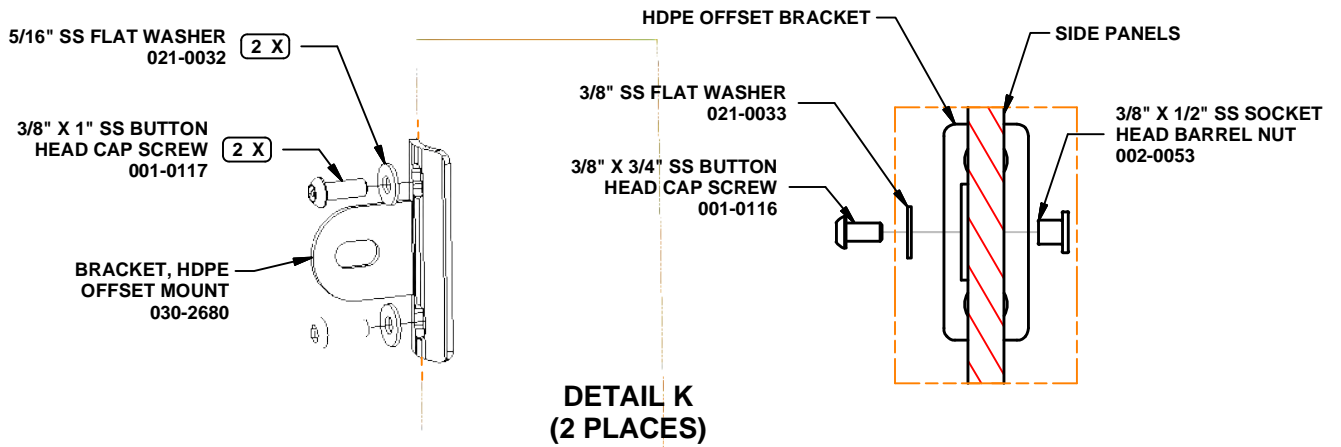
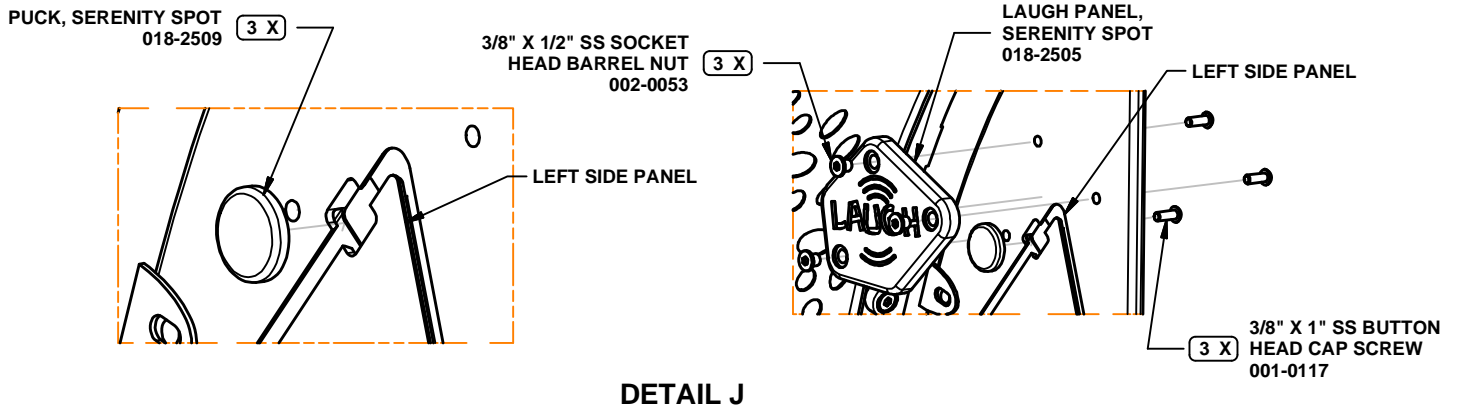
470-0868
SERENITY SPOT, TO ROOF



470-0868 SERENITY SPOT, TO ROOF



470-0868
SERENITY SPOT, TO ROOF



470-0868
SERENITY SPOT, TO ROOF

PARTS LIST

PART NO.	DESCRIPTION	QTY
006-0802	FLAP ANGLE PLATE, SERENITY SPOT	1
007-1716	PLATE, 79 3/4" X 45 1/8" X 14 GA	1
016-0006	BRONZE BEARING .377" X .75" X .75"	2
018-0725	BUBBLE MIRROR	1
018-2499	SEAT PANEL, SERENITY SPOT	1
018-2500	LEFT SIDE PANEL, SERENITY SPOT	1
018-2503	RIGHT SIDE PANEL, SERENITY SPOT	1
018-2504	FLAP PANEL, SERENITY SPOT	1
018-2505	LAUGH PANEL, SERENITY SPOT	1
018-2506	SWING PANEL, SERENITY SPOT	1
018-2507	SMILE PANEL, SERENITY SPOT	1
018-2508	SPINNER, SERENITY SPOT	1
018-2509	PUCK, SERENITY SPOT	3
018-2511	ELLIPTICAL STANDOFF	14
030-0042	CROSSBAR, ONE-SIDED PLATE	1
030-0108	ARCH, SERENITY SPOT	2
030-0109	SEAT FRAME, SERENITY SPOT	1
030-2679	CROSSBAR, TWO-SIDED PLATE	1
030-2680	BRACKET, HDPE OFFSET MOUNT	2
036-1552	HARDWARE PACKAGE	1
046-2020	14 5/8" KICK MAT, SERENITY SPOT	1
046-2022	FLAP MAT, SERENITY SPOT	1

NOTE: Hardware package(s) may include extra hardware that is not necessary for this installation.

SPECIFICATIONS

FLAP ANGLE PLATE, SERENITY SPOT: 10 GA galvanized steel sheet. Finished with a baked on powder coating.

PLATE, 79 3/4" X 45 1/8" X 14 GA: 14 GA galvanized steel sheet. Finished with a baked on powder coating.

BRONZE BEARING .377" X .75" X .75": Oil impregnated, bronze.

SEAT PANEL, SERENITY SPOT; LEFT SIDE PANEL, SERENITY SPOT; RIGHT SIDE PANEL, SERENITY SPOT; FLAP PANEL, SERENITY SPOT; LAUGH PANEL, SERENITY SPOT; SMILE PANEL, SERENITY SPOT; SPINNER, SERENITY SPOT: 3/4" Co-Extruded HDPE.

SWING PANEL, SERENITY SPOT; PUCK, SERENITY SPOT; ELLIPTICAL STANDOFF: 3/4" Extruded HDPE.

CROSSBAR, ONE-SIDED PLATE; CROSSBAR, TWO-SIDED PLATE: One piece all welded constructions consisting of 7 GA stainless steel sheet, 8 GA galvanized plating, and 1.315" OD x 12 GA galvanized tubing. Finished with a baked on powder coating.

ARCH, SERENITY SPOT: One piece all welded construction consisting of 2 3/8" OD x 10 GA galvanized steel tubing, 8 GA and 10 GA galvanized steel sheet, and 7 GA stainless steel sheet. Finished with a baked on powder coating.

SEAT FRAME, SERENITY SPOT: One piece all welded construction consisting of 2 3/8" OD x 10 GA galvanized steel tubing and 7 GA stainless steel sheet with zinc-plated steel nut inserts. Finished with a baked on powder coating.

BRACKET, HDPE OFFSET MOUNT: One piece all welded construction consisting of 7 GA stainless steel sheeting and 10 GA galvanized plating. Finished with a baked on powder coating.

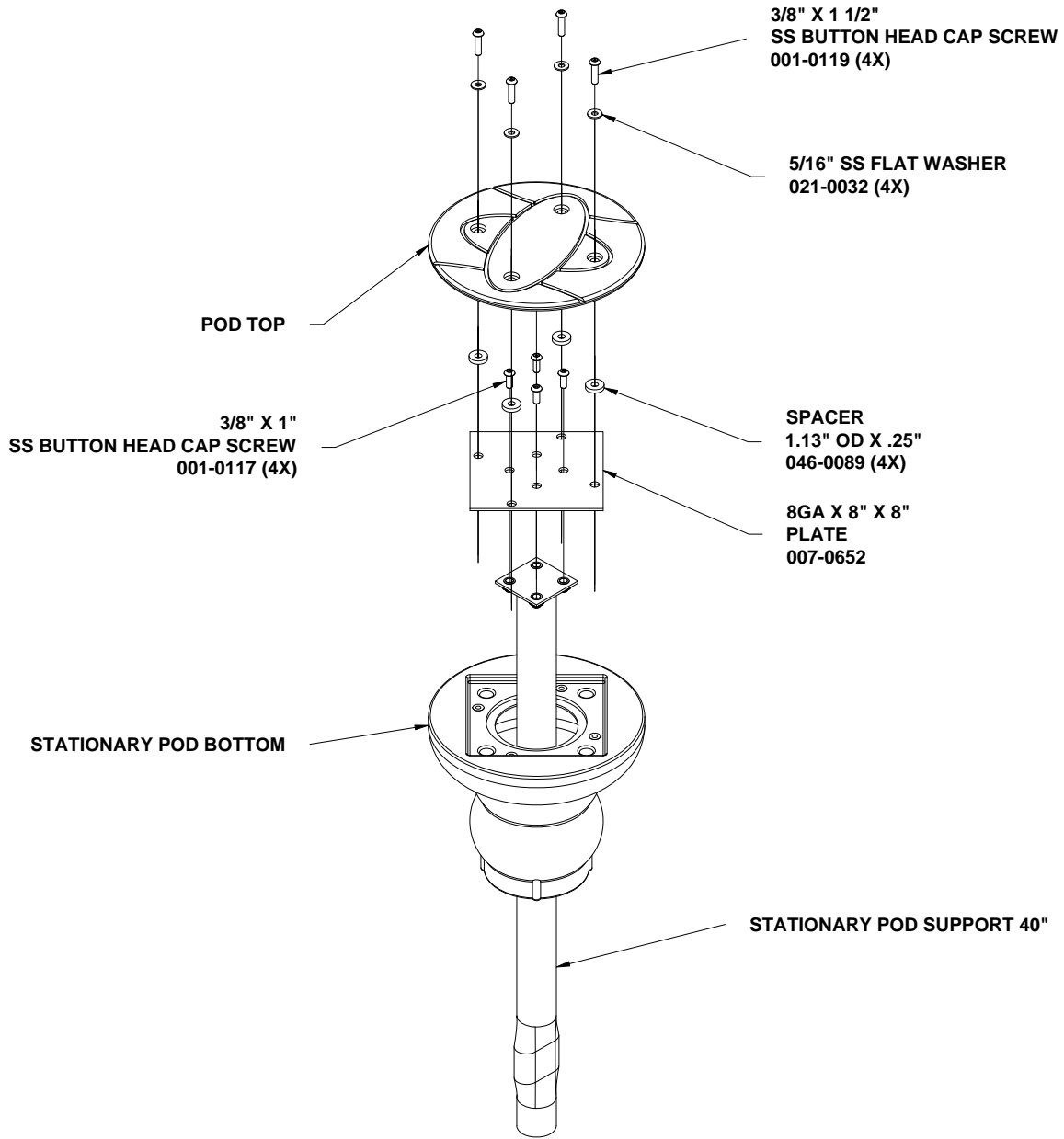
14 5/8" KICK MAT, SERENITY SPOT: Rubber belts consisting of 3-ply fabric with rubber top and bottom covers, overall 1/2" thickness.

FLAP MAT, SERENITY SPOT: Rubber belt consisting of 2-ply fabric with rubber top and bottom covers, overall 1/8" thickness

SHIPPING WEIGHT: 292 LBS.

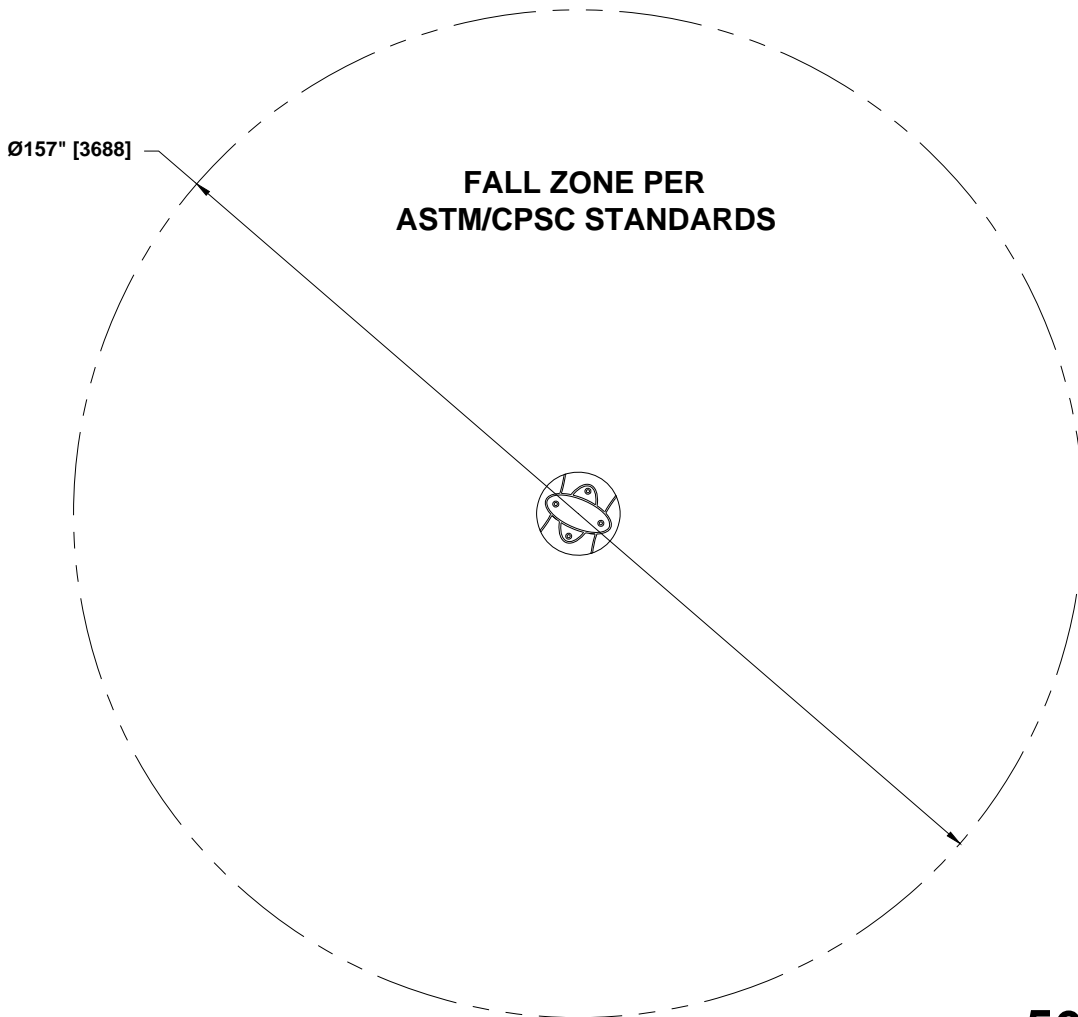
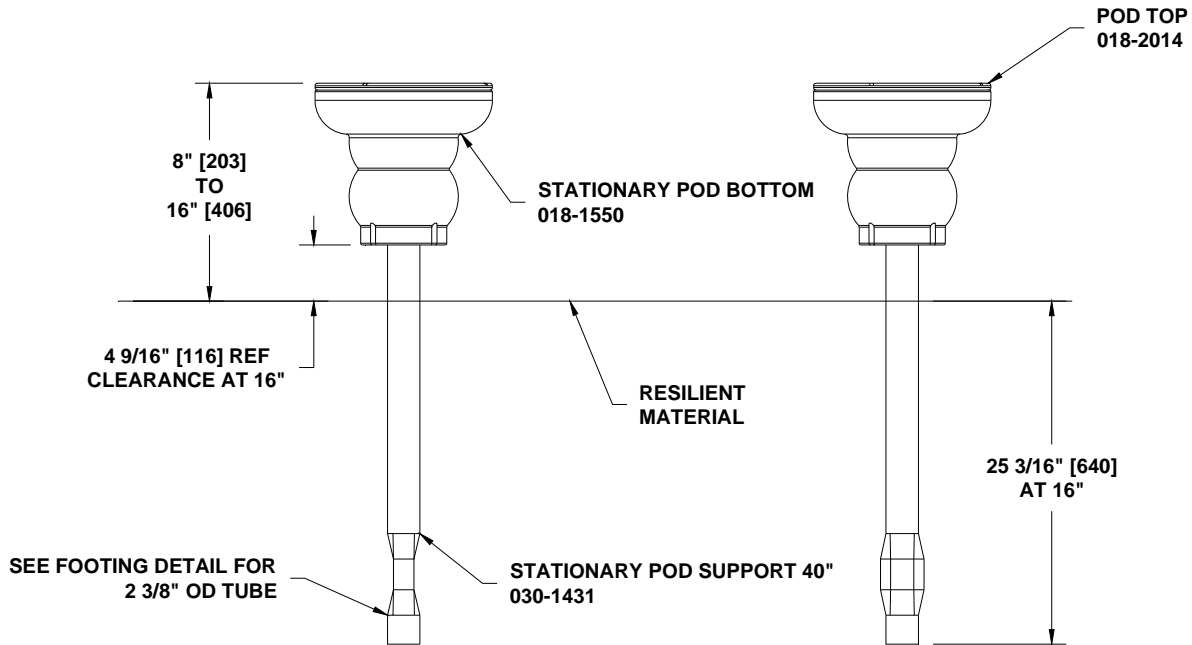
INSTALLATION INSTRUCTIONS

1. Attach CROSSBAR, ONE-SIDE PLATE and CROSSBAR, TWO-SIDED PLATE to the posts using hardware specified in DETAIL CA. See SECTION A-A for proper placement of the crossbars.
2. Attach ARCHES, SERENITY SPOT to the posts using hardware as specified in DETAIL CB. Formed plate should point inwards.
3. Attach PLATE, 79 3/4" X 45 1/8" X 14 GA and ELLIPTICAL STANDOFFS to the arches using hardware specified in DETAIL DA. Start attaching the middle of the plate to the middle of the arches then work outward from there to form the plate to the arches. See DETAIL D. Fasten the ends of the plate to the crossbar using hardware specified in DETAIL CC.
4. Attach BRACKET, HDPE OFFSET MOUNT to the post using hardware specified in DETAIL K.
5. Attach LEFT SIDE PANEL, SERENITY SPOT and RIGHT SIDE PANEL, SERENITY SPOT to the arches and brackets using hardware specified in DETAIL E and DETAIL K.
6. Attach SWING PANEL, SERENITY SPOT to the right side panel using hardware specified in DETAIL F.
7. Attach SMILE PANEL, SERENITY SPOT and BUBBLE MIRROR to the right side panel using hardware specified in DETAIL G.
8. Attach SPINNER, SERENITY SPOT to the right side panel using hardware specified in DETAIL H.
9. Slide PUCKS, SERENITY SPOT into the pocket on the left side panel. Attach LAUGH PANEL, SERENITY SPOT over pocket using hardware specified in DETAIL J.
10. Attach FLAP MAT, SERENITY SPOT to the three slots of the FLAP ANGLE PLATE, SERENITY SPOT using hardware specified in DETAIL L. Fasten FLAP PANEL and plate assembly to the left side panel using hardware specified in DETAIL L.
11. Attach SEAT FRAME, SERENITY SPOT to posts using hardware specified in DETAIL I.
12. Attach SEAT PANEL, SERENITY SPOT to seat frame using hardware specified in DETAIL I.
13. Attach 14 5/8" KICK MAT, SERENITY SPOT to seat frame using hardware specified in DETAIL I.



ASSEMBLY VIEW

560-0453
STEP SPOT POD 8" - 16"



560-0453
STEP SPOT POD 8" - 16"

PARTS LIST

<u>PART NO.</u>	<u>DESCRIPTION</u>	<u>QTY</u>
007-0652	PLATE, 8 GA X 8" X 8"	1
018-1550	STATIONARY POD BOTTOM	1
018-2014	POD TOP	1
030-1431	STATIONARY POD SUPPORT 40"	1
036-0258	HARDWARE PACKAGE	2
036-2051	HARDWARE PACKAGE	1
046-0089	SPACER 1.13" OD X .25"	4

Note: Hardware package(s) may include extra hardware that is not necessary for this installation.

SPECIFICATIONS

PLATE, 8 GA X 8" X 8": 8 GA Steel plate finished with a baked on powder coating.

STATIONARY POD BOTTOM: An average of 1/4" thick, linear, low density, rotationally molded, U.V. stabilized polyethylene with double wall construction, molded in 3/8" T-nut inserts, and a textured outside surface.

POD TOP: 3/4" co-extruded HDPE.

STATIONARY POD SUPPORT 40": One piece all welded construction consisting of 2 3/8" OD x 12 GA galvanized steel tubing, 8 GA galvanized sheet steel and 3/8" nut inserts. Finished with a baked on powder coating.

HARDWARE PACKAGE; HARDWARE PACKAGE: Stainless steel.

SPACER 1.13" OD X .25": 1/4" Nylatron GS.

SHIPPING WEIGHT: 20 LBS.

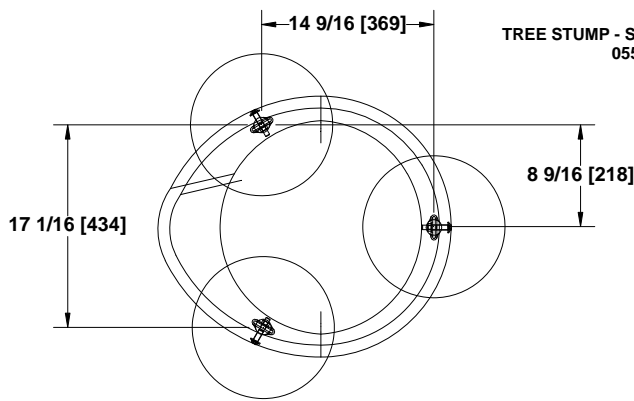
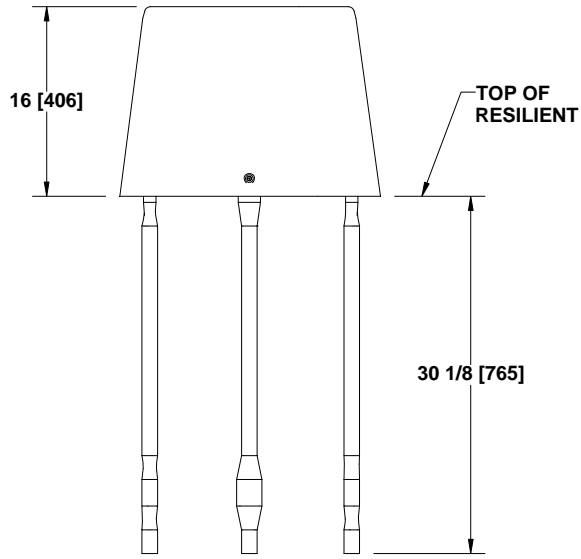
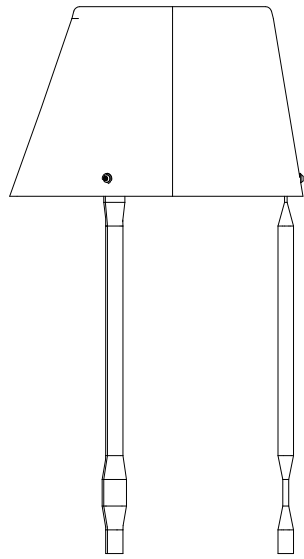
INSTALLATION INSTRUCTIONS

NOTE: Do not tighten hardware until instructed to do so.

1. Dig footing holes per dimensions shown. See typical concrete footing details, which are located in the preface of your installation manual.
2. Slide STATIONARY POD BOTTOM over the end of the STATIONARY POD SUPPORT 40". See ASSEMBLY VIEW.
3. Attach PLATE to stationary pod support using 3/8" x 1" SS button head cap screws. See ASSEMBLY VIEW.
4. Attach POD TOP and SPACERS to stationary pod bottom using 3/8" x 1 1/2" SS button head cap screws and 5/16" SS washers. See ASSEMBLY VIEW.
5. Tighten all hardware.
6. Block-up, level and plumb.
7. Pour concrete. Let set for two to three days.
8. **Install resilient material in accordance to installation guidelines, ASTM standards and CPSC guidelines.**



UNLESS OTHERWISE SPECIFIED, ALL DIMENSIONS ARE INCHES WITH MILLIMETER EQUIVALENT INSIDE [] BRACKETS.



TREE STUMP - SMALL
055-0208

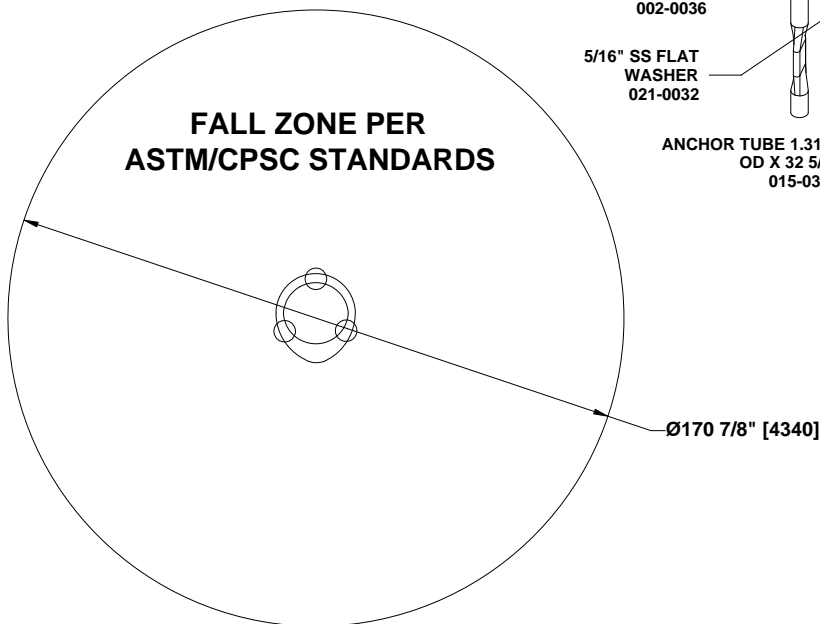
3/8" SS NUT
002-0036

5/16" SS FLAT WASHER
021-0032

ANCHOR TUBE 1.315"
OD X 32 5/8"
015-0362

5/16" SS FLAT WASHER
021-0032

3/8" X 2 1/4" SS BUTTON
HEAD CAP SCREW
001-0122



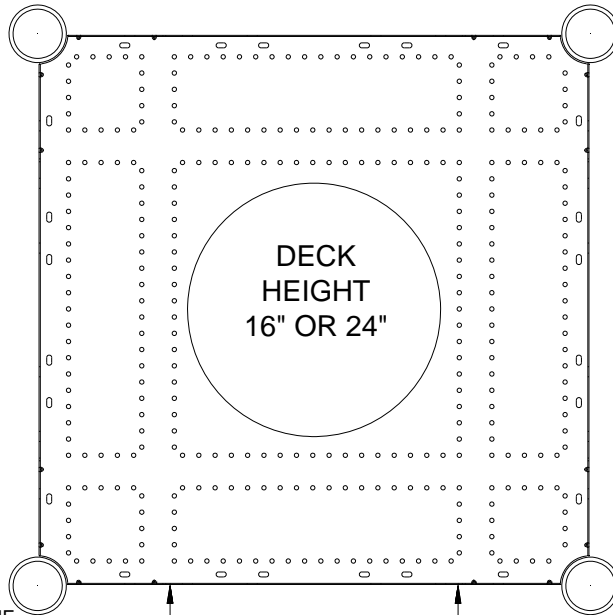
FALL ZONE PER
ASTM/CPSC STANDARDS

Ø170 7/8" [4340]

560-0553 NATURE PLAY STUMP - SMALL



UNLESS OTHERWISE SPECIFIED, ALL DIMENSIONS ARE INCHES WITH MILLIMETER EQUIVALENT INSIDE [] BRACKETS.

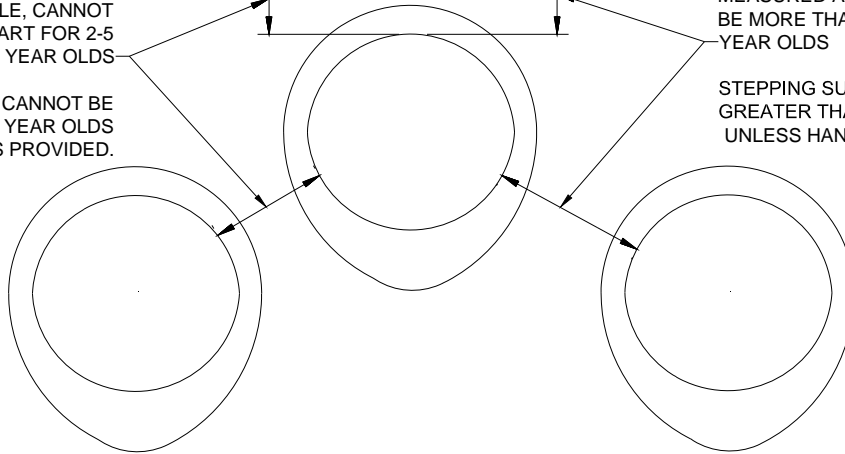


THE DISTANCE BETWEEN THE EDGES OF THE STEPPING SURFACES MEASURED AT ANY ANGLE, CANNOT BE MORE THAN 12" APART FOR 2-5 YEAR OLDS

THE DISTANCE BETWEEN THE EDGES OF THE STEPPING SURFACES MEASURED AT ANY ANGLE, CANNOT BE MORE THAN 18" APART FOR 5-12 YEAR OLDS

STEPPING SURFACE HEIGHT CANNOT BE GREATER THAN 20" FOR 2-5 YEAR OLDS UNLESS HAND SUPPORT IS PROVIDED.

STEPPING SURFACE HEIGHT CANNOT BE GREATER THAN 30" FOR 5-12 YEAR OLD UNLESS HAND SUPPORT IS PROVIDED



RULES TO FOLLOW WHEN LINKING TO A PLATFORM OR OTHER FREE STANDING ITEMS

560-0553 NATURE PLAY STUMP - SMALL

PARTS LIST

<u>PART NO.</u>	<u>DESCRIPTION</u>	<u>QTY</u>
015-0362	ANCHOR TUBE 1.315" OD X 32 5/8"	3
036-0842	HARDWARE PACKAGE	1
055-0208	NATURE PLAY STUMP - SMALL	1

Note: Hardware package(s) may include extra hardware that is not necessary for this installation.

SPECIFICATIONS

ANCHOR TUBE 1.315" OD X 32 5/8": 1.315" OD x 12 GA galvanized steel tubing finished with a baked on powder coating.

HARDWARE PACKAGE: Stainless Steel

NATURE PLAY STUMP - SMALL: GFRC

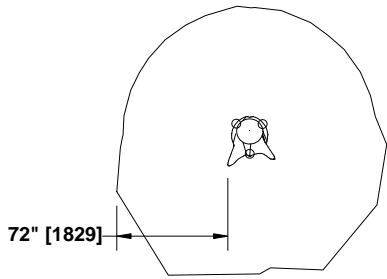
SHIPPING WEIGHT: 67 LBS.

INSTALLATION INSTRUCTIONS

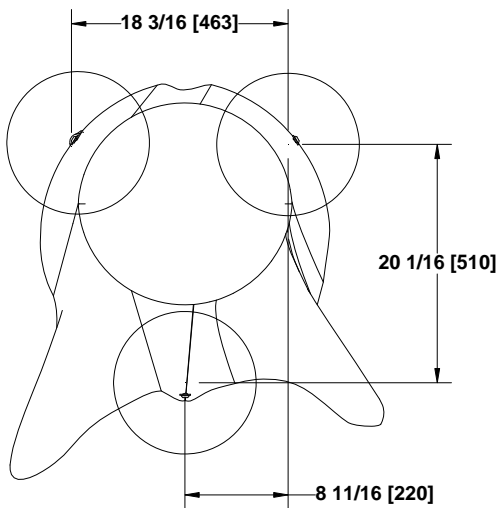
1. Dig footing holes per dimensions shown. See typical concrete footing details, which are located in the preface of your installation manual.
2. Turn SMALL STUMP upside down so bottom is facing up.
3. Using the predrilled holes in the Small Stump, attach the ANCHOR TUBES using the hardware specified in the EXPLODED VIEW.
4. Tighten all hardware. **NOTE: Tighten bolt to a maximum of 15 ft.-lbs. Do not over tighten.**
5. Position Small Stump with Anchor Tubes attached into footing holes.
4. Block-up and level.
5. Pour concrete. Let set for two to three days.
6. **Install resilient material in accordance to installation guidelines, ASTM standards and CPSC guidelines.**



UNLESS OTHERWISE SPECIFIED, ALL DIMENSIONS ARE INCHES WITH MILLIMETER EQUIVALENT INSIDE [] BRACKETS.



FALL ZONE PER
ASTM/CPSC STANDARDS



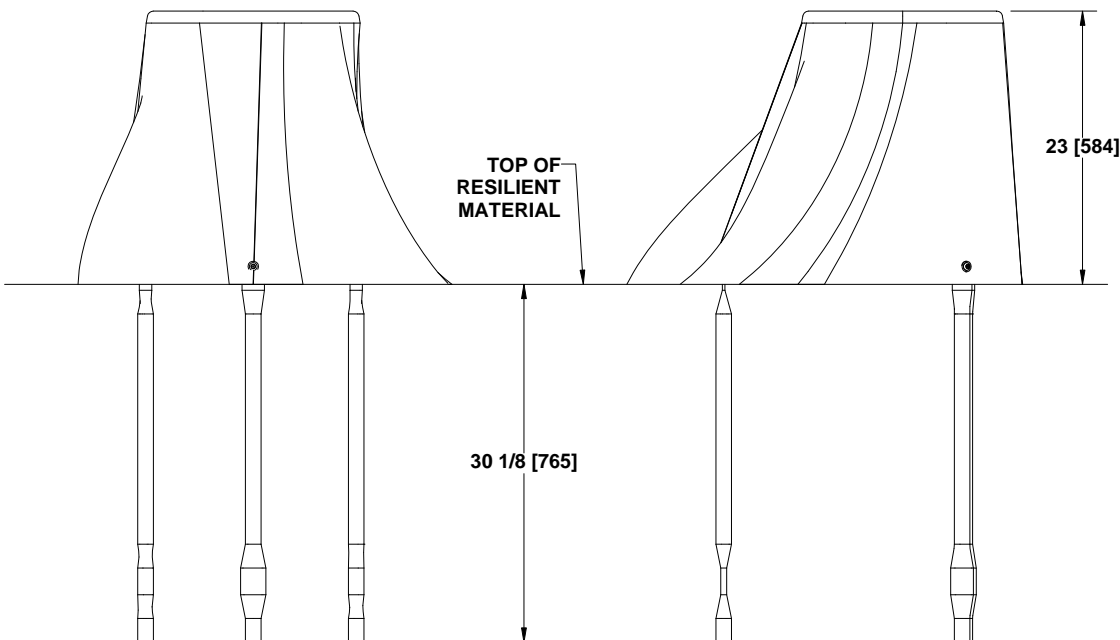
TREE STUMP - LARGE,
MACHINED
055-0212

5/16" SS FLAT
WASHER
021-0032
3/8" X 2 1/4" SS
BUTTON HEAD CAP
SCREW
001-0122

ANCHOR TUBE 1.315"
OD X 32 5/8"
015-0362

3/8" SS NUT
002-0036

5/16" SS FLAT WASHE
021-0032

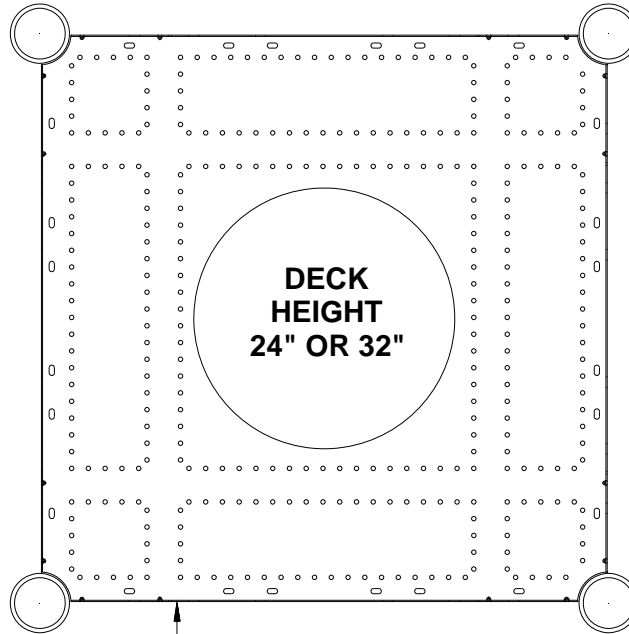


560-0554

NATURE PLAY STUMP - LARGE

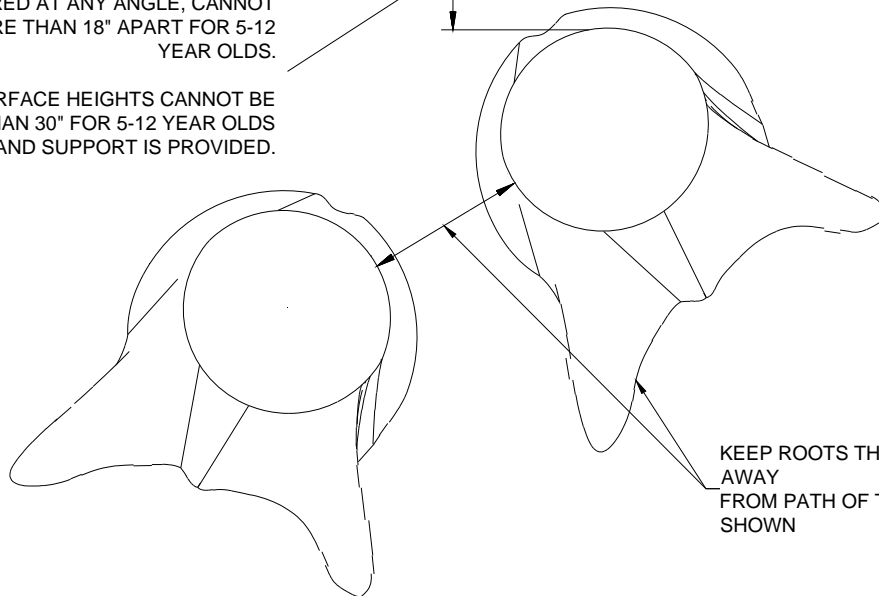


UNLESS OTHERWISE SPECIFIED, ALL DIMENSIONS ARE INCHES WITH MILLIMETER EQUIVALENT INSIDE [] BRACKETS.



THE DISTANCE BETWEEN THE EDGES OF THE STEPPING SURFACES MEASURED AT ANY ANGLE, CANNOT BE MORE THAN 18" APART FOR 5-12 YEAR OLDS.

STEPPING SURFACE HEIGHTS CANNOT BE GREATER THAN 30" FOR 5-12 YEAR OLDS UNLESS HAND SUPPORT IS PROVIDED.



KEEP ROOTS THAT FAN OUT AWAY FROM PATH OF TRAVEL AS SHOWN

RULES TO FOLLOW WHEN LINKING TO A PLATFORM OR OTHER FREE STANDING ITEMS

560-0554
NATURE PLAY STUMP - LARGE

PARTS LIST

<u>PART NO.</u>	<u>DESCRIPTION</u>	<u>QTY</u>
015-0362	ANCHOR TUBE 1.315" OD X 32 5/8"	3
036-0842	HARDWARE PACKAGE	1
055-0212	NATURE PLAY STUMP – LARGE, MACHINED	1

Note: Hardware package(s) may include extra hardware that is not necessary for this installation.

SPECIFICATIONS

ANCHOR TUBE 1.315" OD X 32 5/8": 1.315" OD x 12 GA galvanized steel tubing finished with a baked on powder coating.

HARDWARE PACKAGE: Stainless Steel

NATURE PLAY STUMP – LARGE, MACHINED: GFRC

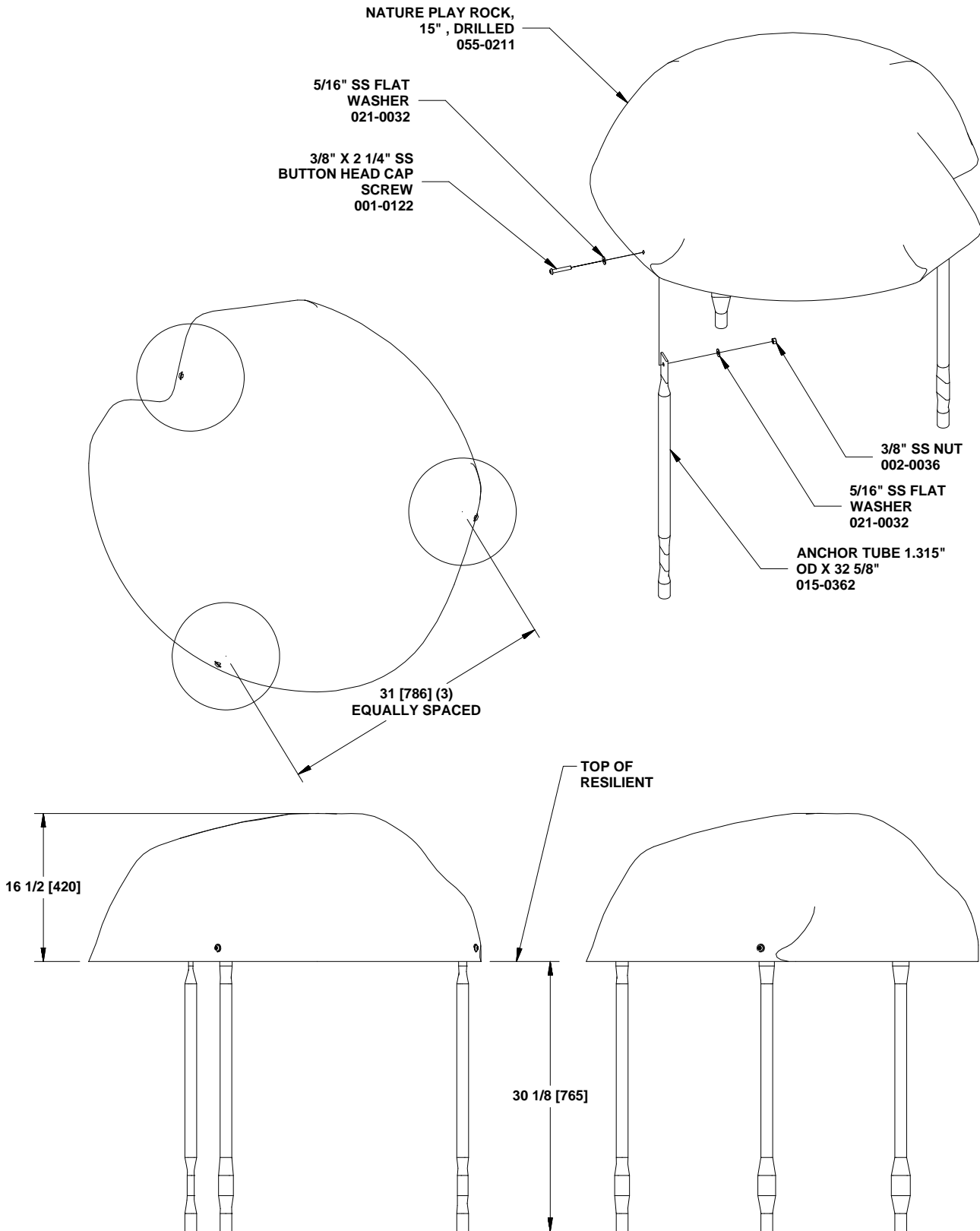
SHIPPING WEIGHT: 114 LBS.

INSTALLATION INSTRUCTIONS

1. Dig footing holes per dimensions shown. See typical concrete footing details, which are located in the preface of your installation manual.
2. Turn LARGE STUMP upside down so bottom is facing up.
3. Using the predrilled holes in the Large Stump, attach the ANCHOR TUBES using the hardware specified in the EXPLODED VIEW.
4. Tighten all hardware. . **NOTE: Tighten bolt to a maximum of 15 ft.-lbs. Do not over tighten.**
5. Position Large Stump with Anchor Tubes attached into footing holes.
4. Block-up and level.
5. Pour concrete. Let set for two to three days.
6. **Install resilient material in accordance to installation guidelines, ASTM standards and CPSC guidelines.**



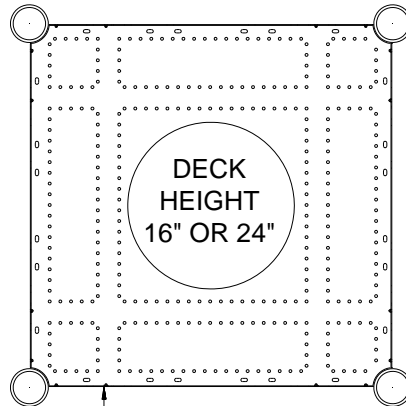
UNLESS OTHERWISE SPECIFIED, ALL DIMENSIONS ARE INCHES WITH MILLIMETER EQUIVALENT INSIDE [] BRACKETS.



560-0555 NATURE PLAY ROCK - MEDIUM



UNLESS OTHERWISE SPECIFIED, ALL DIMENSIONS ARE INCHES WITH MILLIMETER EQUIVALENT INSIDE [] BRACKETS.



THE DISTANCE BETWEEN THE EDGES OF THE STEPPING SURFACES MEASURED AT ANY ANGLE, CANNOT BE MORE THAN 12" APART FOR 2-5 YEAR OLDS.

STEPPING SURFACE HEIGHT CANNOT BE GREATER THAN 20" FOR 2-5 YEAR OLDS UNLESS HAND SUPPORT IS PROVIDED

THE DISTANCE BETWEEN THE EDGES OF THE STEPPING SURFACES MEASURED AT ANY ANGLE, CANNOT BE MORE THAN 18" APART FOR 5-12 YEAR OLDS.

STEPPING SURFACE HEIGHT CANNOT BE GREATER THAN 30" FOR 5-12 YEAR OLDS UNLESS HAND SUPPORT IS PROVIDED

RULES TO FOLLOW WHEN LINKING TO A PLATFORM OR OTHER FREE STANDING ITEMS

560-0555

NATURE PLAY ROCK - MEDIUM

PARTS LIST

<u>PART NO.</u>	<u>DESCRIPTION</u>	<u>QTY</u>
015-0362	ANCHOR TUBE 1.315" OD X 32 5/8"	3
036-0842	HARDWARE PACKAGE	1
055-0211	NATURE PLAY ROCK, 15" , DRILLED	1

Note: Hardware package(s) may include extra hardware that is not necessary for this installation.

SPECIFICATIONS

ANCHOR TUBE 1.315" OD X 32 5/8": 1.315" OD x 12 GA galvanized steel tubing finished with a baked on powder coating.

HARDWARE PACKAGE: Stainless Steel

NATURE PLAY ROCK, 15" , DRILLED: GFRC

SHIPPING WEIGHT: 117 LBS.

INSTALLATION INSTRUCTIONS

1. Dig footing holes per dimensions shown. See typical concrete footing details, which are located in the preface of your installation manual.
2. Turn NATURE PLAY ROCK upside down so bottom is facing up.
3. Using the predrilled holes in the Rock, attach the ANCHOR TUBES using the hardware specified in the EXPLODED VIEW.
4. Tighten all hardware. **NOTE: Tighten bolt to a maximum of 15 ft.-lbs. Do not over tighten.**
5. Position Small Rock with Anchor Tubes attached into footing holes.
4. Block-up and level.
5. Pour concrete. Let set for two to three days.
6. **Install resilient material in accordance to installation guidelines, ASTM standards and CPSC guidelines.**

NATURE PLAY SPLIT LOG
046-2037

INSTALL HEIGHT	BURY DEPTH
8"	41"
12"	37"
16"	33"
20"	29"

TOP SURFACE TO BE HORIZONTAL AND LEVEL

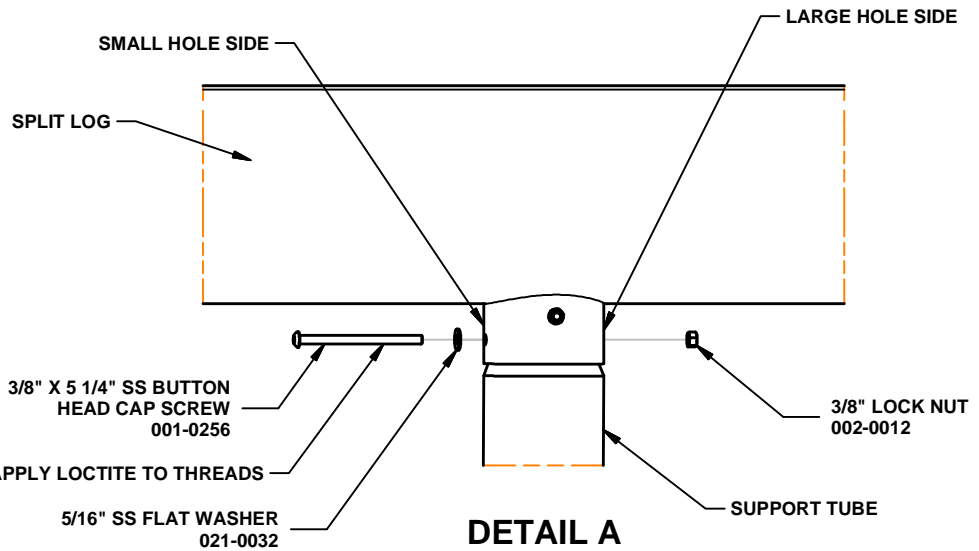
TUBE, 5" OD X 7 GA X
40 1/2"
024-1667

INSTALL HEIGHT
8"-20"
REFER TO SITE
PLAN FOR SPECIFIED
HEIGHT

TOP OF
RESILENT
MATERIAL

REFER TO BURY
DEPTH TABLE
ABOVE FOR
PROPER BURY
DEPTH

SEE TYPICAL CONCRETE
FOOTING DETAIL FOR
5" OD TUBING



560-2615

NATUREPLAY[®] HORIZONTAL SPLIT LOG CLIMBER 8"-20"

PARTS LIST

PART NO.	DESCRIPTION	QTY
024-1667	TUBE, 5" OD X 7 GA X 40 1/2"	1
036-1553	HARDWARE PACKAGE	1
046-0291	LOCTITE	1
046-2037	NATURE PLAY SPLIT LOG	1

NOTE: Hardware package(s) may include extra hardware that is not necessary for this installation.

SPECIFICATIONS

TUBE, 5" OD X 7 GA X 40 1/2": 5" OD X 7 Ga Galvanized steel tubing finished with a baked-on powder coat.

HARDWARE PACKAGE: Stainless Steel

LOCTITE: Thread Locker; **CAUTION:** May irritate eyes, skin and respiratory system. Contains: polyglycol dimethacrylate, polyglycol oleate propylene glycol, titanium dioxide, and cumene hydroperoxide.

NATURE PLAY SPLIT LOG: 1/4" HRS steel plate, #5 grade 60 carbon steel rebar, 5" OD X 7 GA galvanized steel tubing within glass fiber reinforced concrete textured and painted to resemble a natural split log

SHIPPING WEIGHT: 212 LBS.

INSTALLATION INSTRUCTIONS

NOTE: REFER TO SITE PLAN FOR PROPER INSTALLATION HEIGHT

NOTE: TWO PEOPLE OR LIFTING EQUIPMENT IS REQUIRED TO LIFT SPLIT LOG ONTO SUPPORT TUBE

1. Dig footing holes per dimensions specified in typical concrete footings detail for 5" OD tubing located in the installation manual and bury depth table located on the first page of this document.
2. Place SPLIT LOG on top of SUPPORT TUBE and attach with hardware specified in DETAIL A.

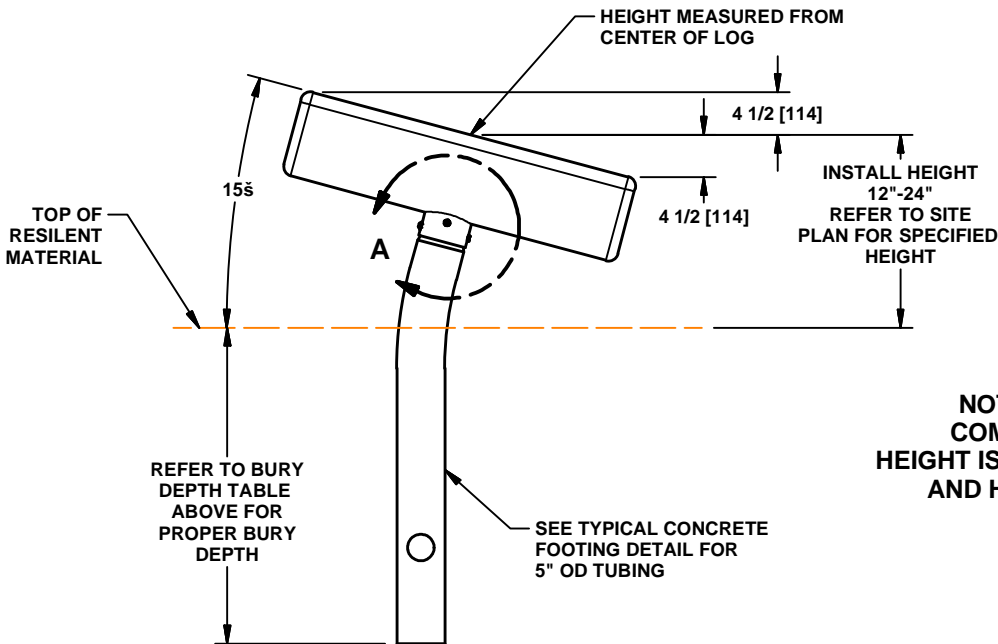
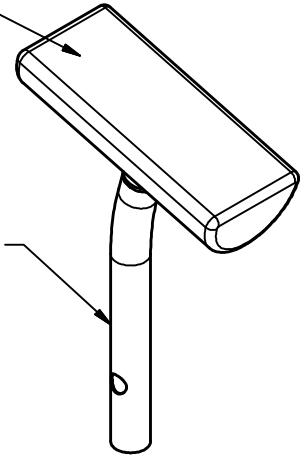
NOTE: APPLY LOCTITE TO THREADS

3. Tighten all hardware
4. Block up, plumb and level assembly
5. Pour concrete and let cure 2-3 days
6. **Install resilient surfacing material in accordance to installation guidelines, ASTM standards and CPSC guidelines.**

INSTALL HEIGHT	BURY DEPTH
12"	41"
16"	37"
20"	33"
24"	29"

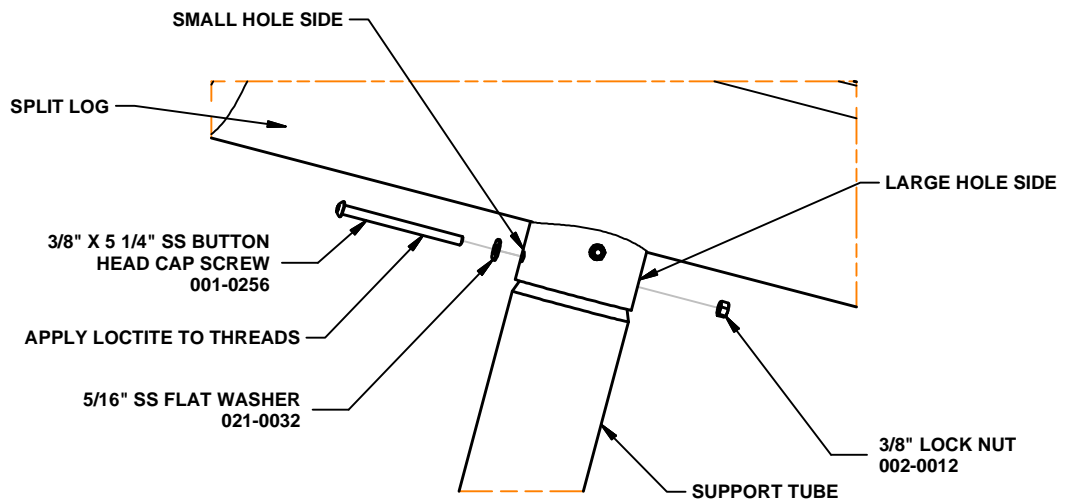
NATURE PLAY SPLIT LOG
046-2037

FORMED TUBE, 5" OD X 7 GA SHORT
024-1669



NOTE: SEPARATE HAND GRIP COMPONENT REQUIRED WHEN HEIGHT IS HIGHER THAN 20" FOR AGES 2-5 AND HIGHER THAN 30 INCHES FOR AGES 5-12

NOTE: BUTTON HEAD CAP SCREW MUST BE INSTALLED ON HIGHER ELEVATION SIDE



**DETAIL A
(2 PLACES)**

560-2617

NATUREPLAY SLOPED SPLIT LOG CLIMBER 12"-24"

PARTS LIST

PART NO.	DESCRIPTION	QTY
024-1669	FORMED TUBE, 5" OD X 7 GA SHORT	1
036-1553	HARDWARE PACKAGE	1
046-0291	LOCTITE	1
046-2037	NATURE PLAY SPLIT LOG	1

NOTE: Hardware package(s) may include extra hardware that is not necessary for this installation.

SPECIFICATIONS

FORMED TUBE, 5" OD X 7 GA SHORT: 5" OD X 7 Ga Galvanized steel tubing finished with a baked-on powder coat.

HARDWARE PACKAGE: Stainless Steel

LOCTITE: Thread Locker; **CAUTION:** May irritate eyes, skin and respiratory system. Contains: polyglycol dimethacrylate, polyglycol oleate propylene glycol, titanium dioxide, and cumene hydroperoxide.

NATURE PLAY SPLIT LOG: 1/4" HRS steel plate, #5 grade 60 carbon steel rebar, 5" OD X 7 GA galvanized steel tubing within glass fiber reinforced concrete textured and painted to resemble a natural split log

SHIPPING WEIGHT: 216 LBS.

INSTALLATION INSTRUCTIONS

NOTE: REFER TO SITE PLAN FOR PROPER INSTALLATION HEIGHT

NOTE: TWO PEOPLE OR LIFTING EQUIPMENT IS REQUIRED TO LIFT SPLIT LOG ONTO SUPPORT TUBE

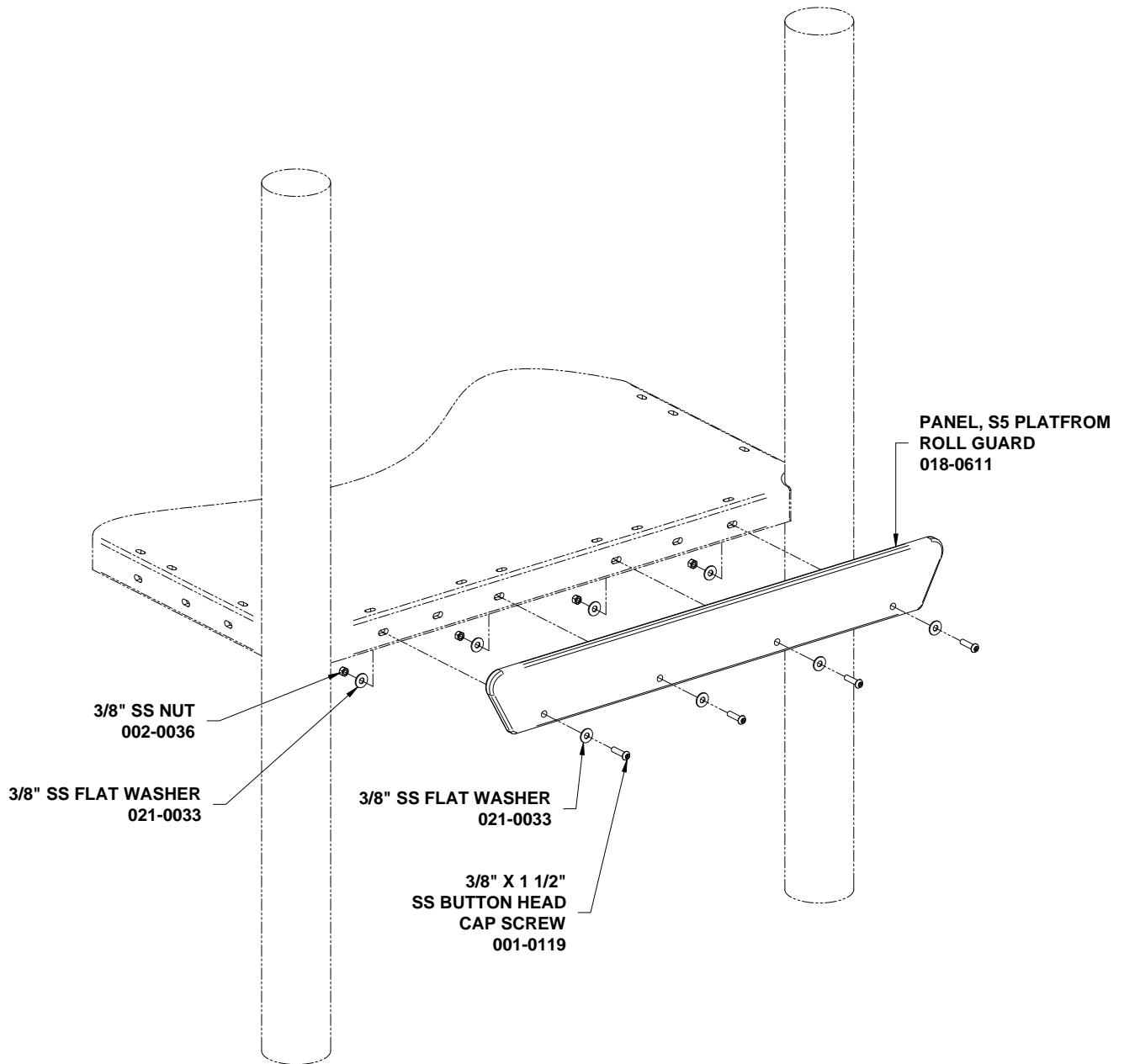
1. Dig footing holes per dimensions specified in typical concrete footings detail for 5" OD tubing located in the installation manual and bury depth table located on the first page of this document.
2. Place SPLIT LOG on top of SUPPORT TUBE and attach with hardware specified in DETAIL A.

NOTE: APPLY LOCTITE TO THREADS

3. Tighten all hardware
4. Block up, plumb and level assembly
5. Pour concrete and let cure 2-3 days
6. **Install resilient surfacing material in accordance to installation guidelines, ASTM standards and CPSC guidelines.**



8/25/2009



570-0622 PLATFORM ROLL GUARD

PARTS LIST

<u>PART NO.</u>	<u>DESCRIPTION</u>	<u>QTY</u>
018-0611	PANEL, S5 PLATFORM ROLL GUARD	1
036-0448	HARDWARE PACKAGE	1

Note: Hardware package(s) may include extra hardware that is not necessary for this installation.

SPECIFICATIONS

PANEL, S5 PLATFORM ROLL GUARD: 3/4" extruded HDPE.

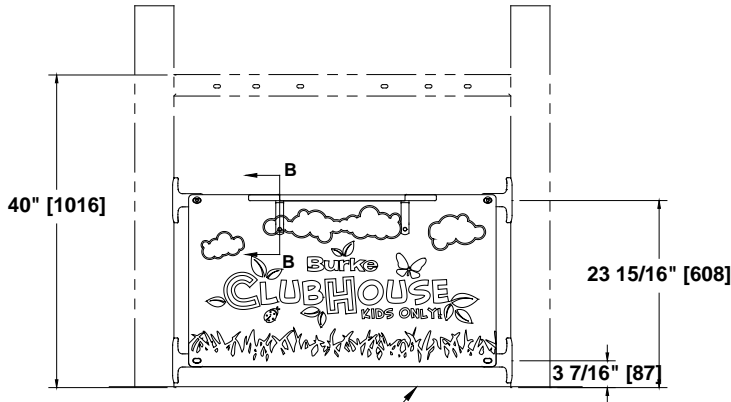
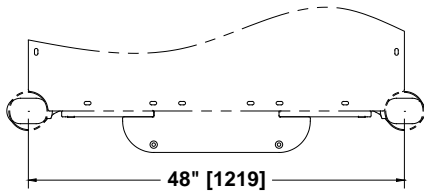
HARDWARE PACKAGE: Stainless steel.

SHIPPING WEIGHT: 9 LBS.

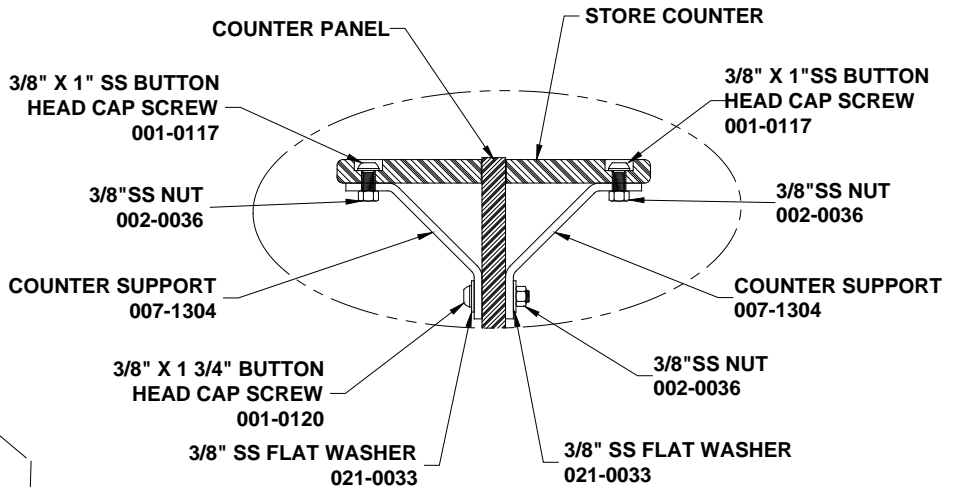
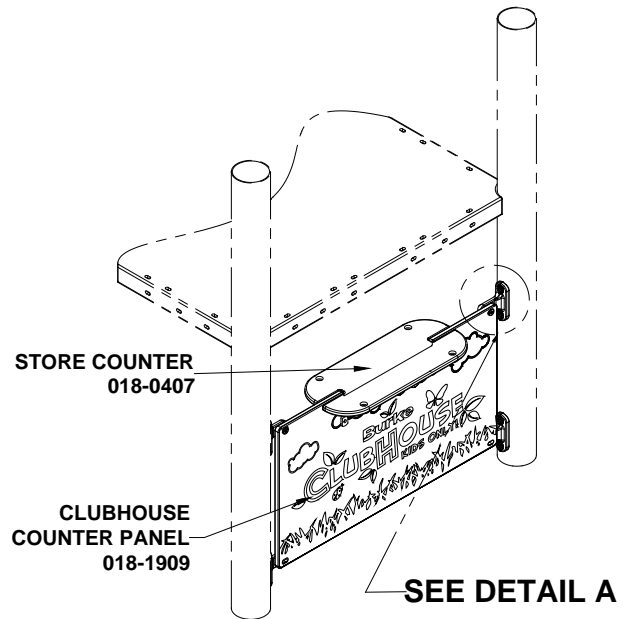
INSTALLATION INSTRUCTIONS

NOTE: PVC coating may need to be removed from mounting holes of parts before installation.

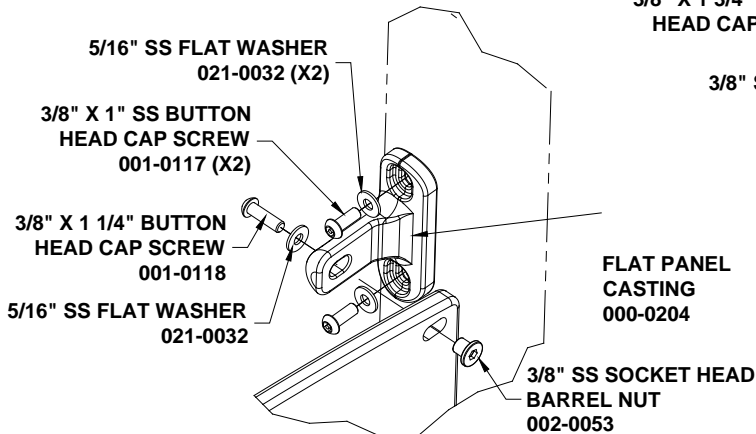
1. Attach PLATFORM ROLL GUARD PANEL to platform, centering panel between posts, using 3/8" x 1 1/2" SS button head cap screws, 3/8" SS flat washers and 3/8" SS nuts.



TOP OF
RESILIENT
MATERIAL



**SECTION B-B
(2 PLACES)**



DETAIL A (4 PLACES)

570-0838

CLUBHOUSE COUNTER PANEL

PARTS LIST

<u>PART NO.</u>	<u>DESCRIPTION</u>	<u>QTY</u>
000-0204	CASTING, FLAT PANEL	4
007-1304	COUNTER SUPPORT	4
018-0407	STORE COUNTER	1
018-1909	CLUBHOUSE COUNTER PANEL	1
036-1245	HARDWARE PACKAGE	1

Note: Hardware package(s) may include extra hardware that is not necessary for this installation.

SPECIFICATIONS

CASTING, FLAT PANEL: A356-T6 Aluminum, Heat- Treated. Finished with baked on powder coating.

COUNTER SUPPORT: Formed 8 GA. galvanized sheet steel finished with a baked on powder coating.

STORE COUNTER; CLUBHOUSE COUNTER PANEL: 3/4" co-extruded HDPE.

HARDWARE PACKAGE: Stainless steel

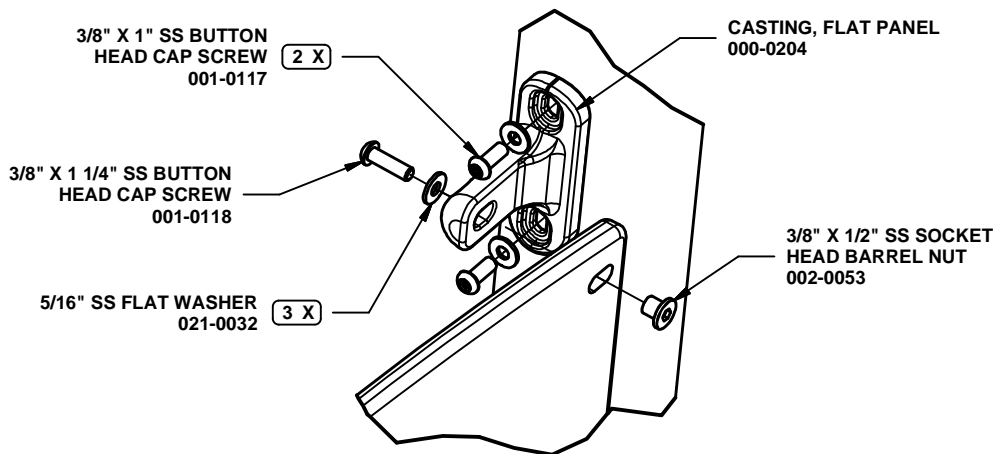
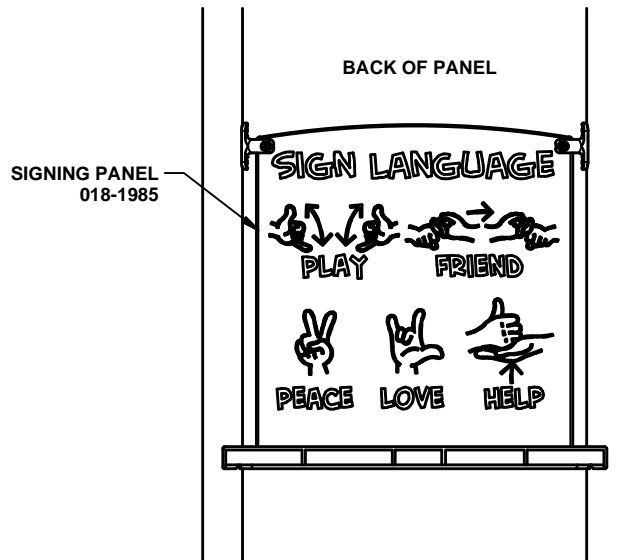
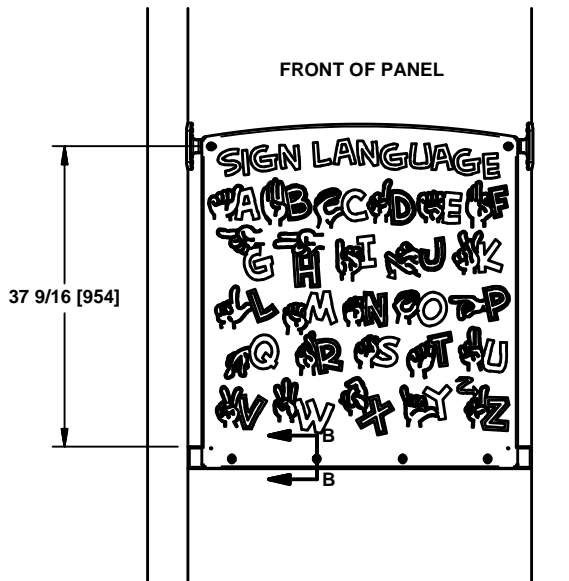
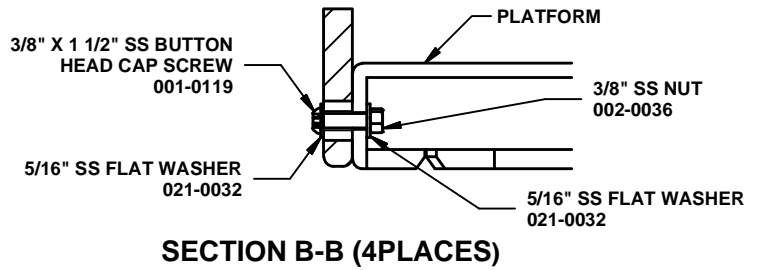
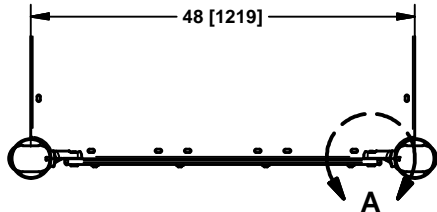
SHIPPING WEIGHT: 53 LBS.

INSTALLATION INSTRUCTIONS

NOTE: PVC coating may need to be removed from mounting holes of parts before installation.

NOTE: Do not tighten hardware until instructed to do so.

1. Attach FLAT PANEL CASTING to 5" OD posts using hardware as shown in DETAIL A. Tighten hardware.
2. Attach counter supports to panel using hardware as shown in SECTION B-B. Tighten hardware.
3. Slide STORE COUNTER into slot on panel with counter bored holes to the top. Attach counter supports to CLUBHOUSE COUNTER PANEL using hardware as shown in SECTION B-B. Tighten hardware.
4. Attach panel assembly to brackets using hardware as shown in DETAIL A. Tighten all hardware.
5. **Install resilient material in accordance to installation guidelines, ASTM standards and CPSC guidelines.**



DETAIL A (2 PLACES)

570-0848

SIGNING 2-SIDED PLAY PANEL

PARTS LIST

PART NO.	DESCRIPTION	QTY
000-0204	CASTING, FLAT PANEL	2
018-1985	SIGNING PANEL	1
036-1241	HARDWARE PACKAGE	1

NOTE: Hardware package(s) may include extra hardware that is not necessary for this installation.

SPECIFICATIONS

CASTING, FLAT PANEL: A356-T6 Aluminum, Heat-Treated. Finished with baked on powder coating.

SIGNING PANEL: 3/4" co-extruded HDPE.

HARDWARE PACKAGE: Stainless steel.

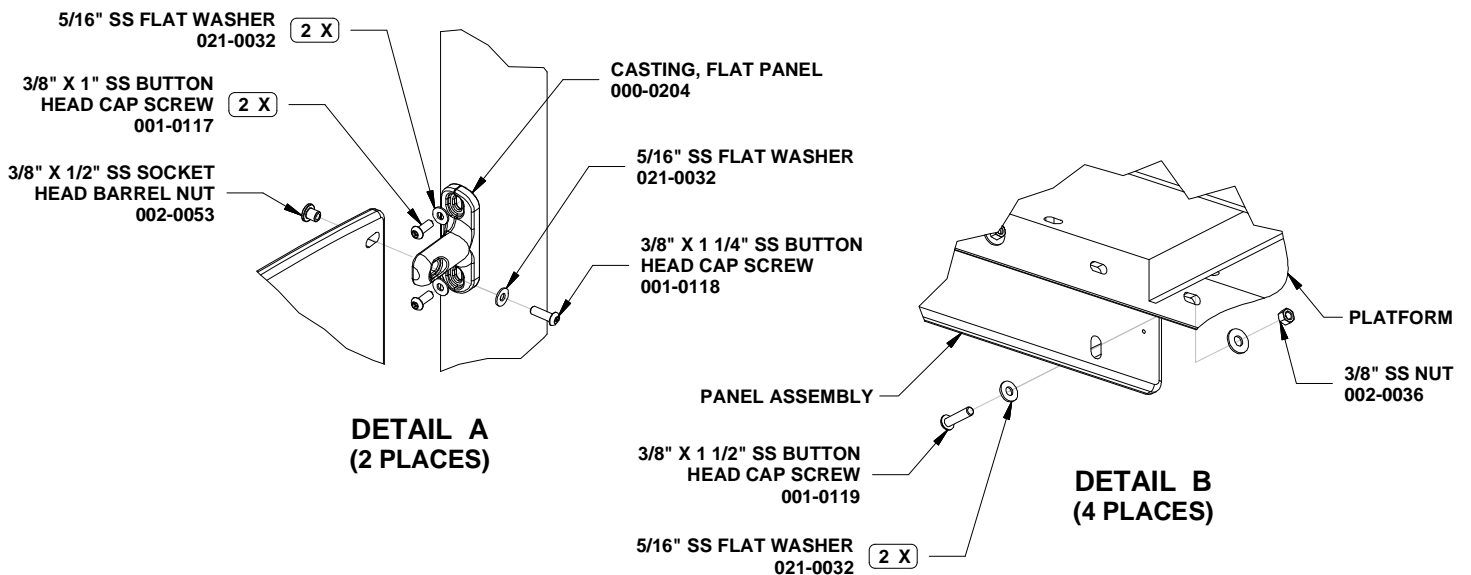
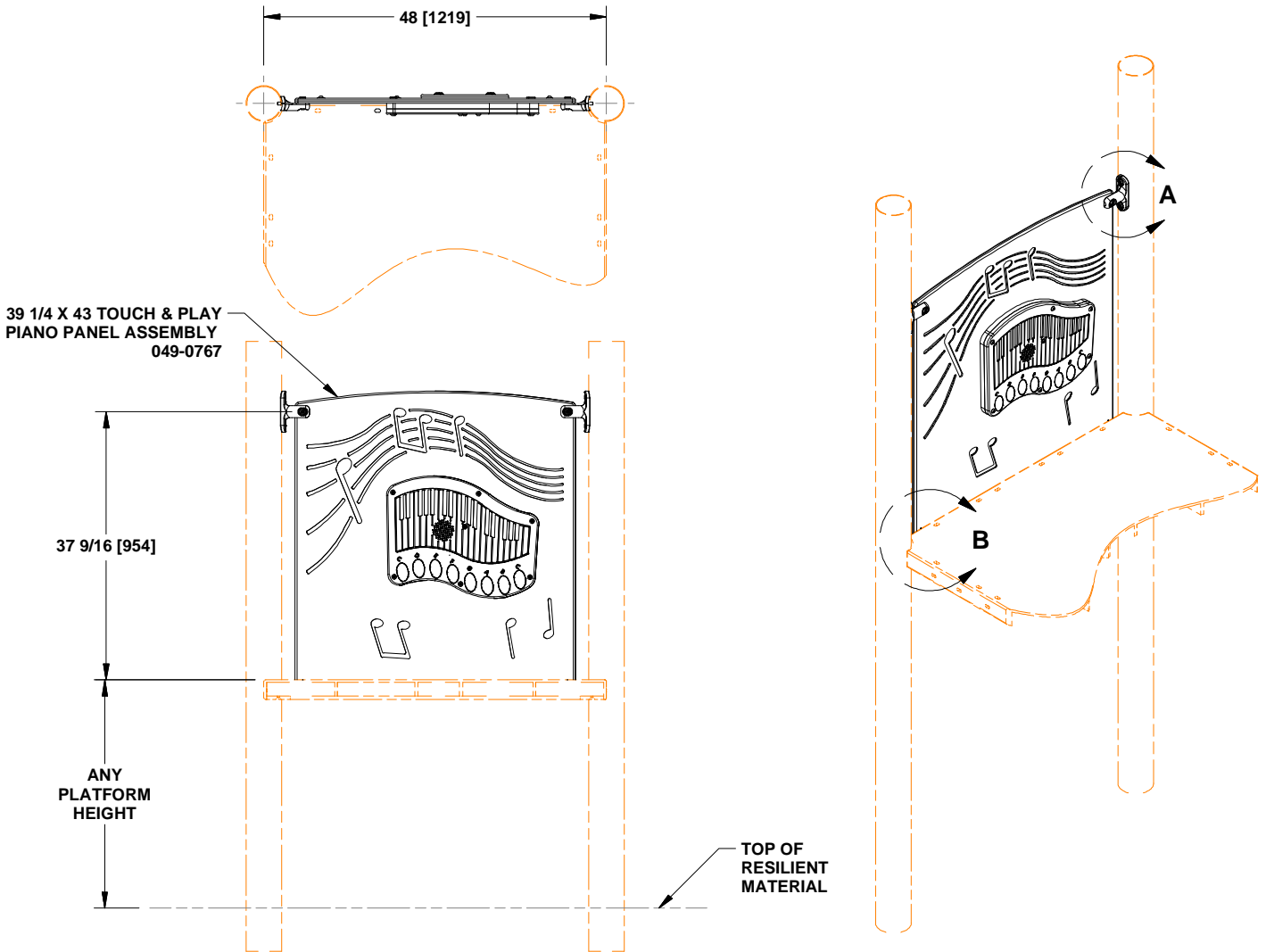
SHIPPING WEIGHT: 44 LBS.

INSTALLATION INSTRUCTIONS

NOTE: PVC coating may need to be removed from mounting holes of parts before installation.

NOTE: Do not tighten hardware until instructed to do so.

1. Determine location of Panel assembly.
2. Attach FLAT PANEL CASTINGS to posts using 3/8" X 1" SS button head cap screws and 5/16" SS flat washers. See DETAIL A.
3. Attach PANEL to platform using 3/8" X 1 1/2" SS button head cap screws, 5/16" SS flat washers and 3/8" SS nuts. See SECTION B-B.
4. Attach Panel to FLAT PANEL CASTINGS using 3/8" X 1 1/4" SS button head cap screws, 5/16" SS flat washer and 3/8" SS socket head barrel nuts. See DETAIL A.
5. Level panel assembly and tighten all hardware.
6. **Install resilient material accordance to installation guidelines, ASTM standards and CPSC guidelines.**



570-1854 TOUCH & PLAY PIANO PANEL

PARTS LIST

PART NO.	DESCRIPTION	QTY
000-0204	CASTING, FLAT PANEL	2
031-0008	T-45, 3/8" TAMPER PROOF DRIVE BIT	1
036-1241	HARDWARE PACKAGE	1
049-0767	39 1/4 X 43 TOUCH & PLAY PIANO PANEL ASSEMBLY	1

NOTE: Hardware package(s) may include extra hardware that is not necessary for this installation.

SPECIFICATIONS

CASTING, FLAT PANEL: A356-T6 Aluminum, Heat- Treated. Finished with baked on powder coating.

HARDWARE PACKAGE: Stainless steel.

39 1/4 X 43 TOUCH & PLAY PIANO PANEL ASSEMBLY: 3/4" co-extruded HDPE, 3/4" extruded HDPE, stainless steel touch-sensors, commercial grade electronics, water-proof marine grade speaker, water-resistant steel enclosure & stainless steel hardware.

SHIPPING WEIGHT: 60 LBS.

INSTALLATION INSTRUCTIONS

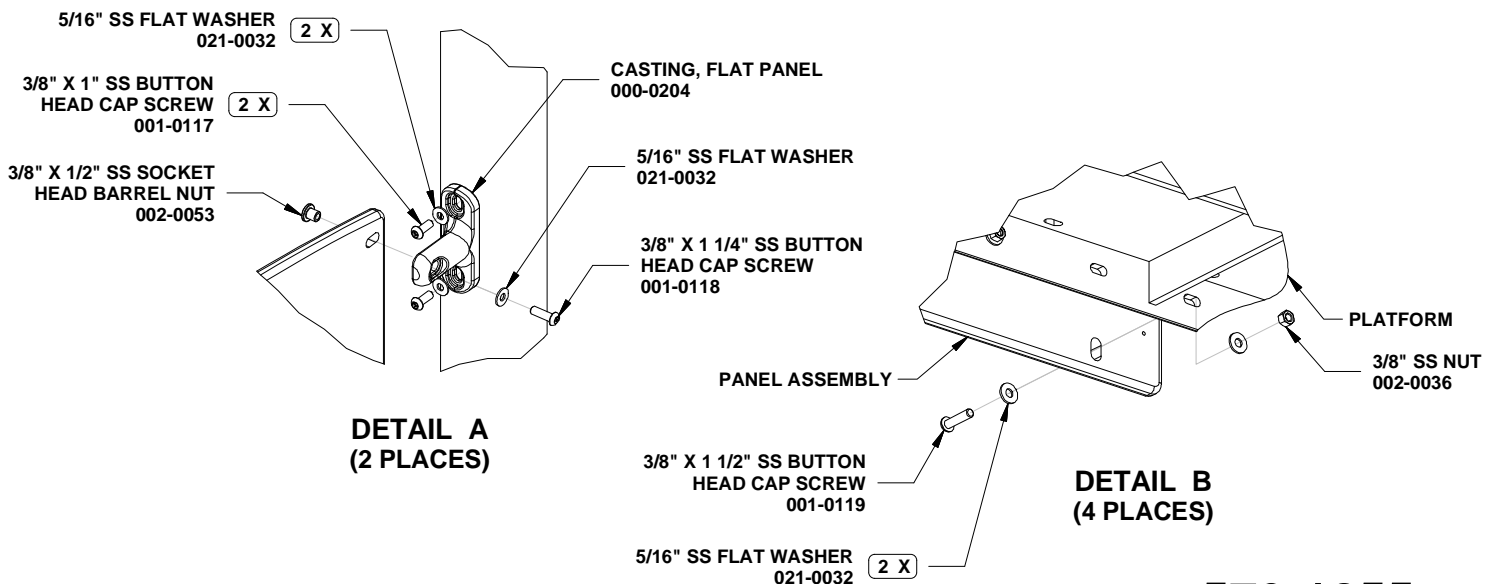
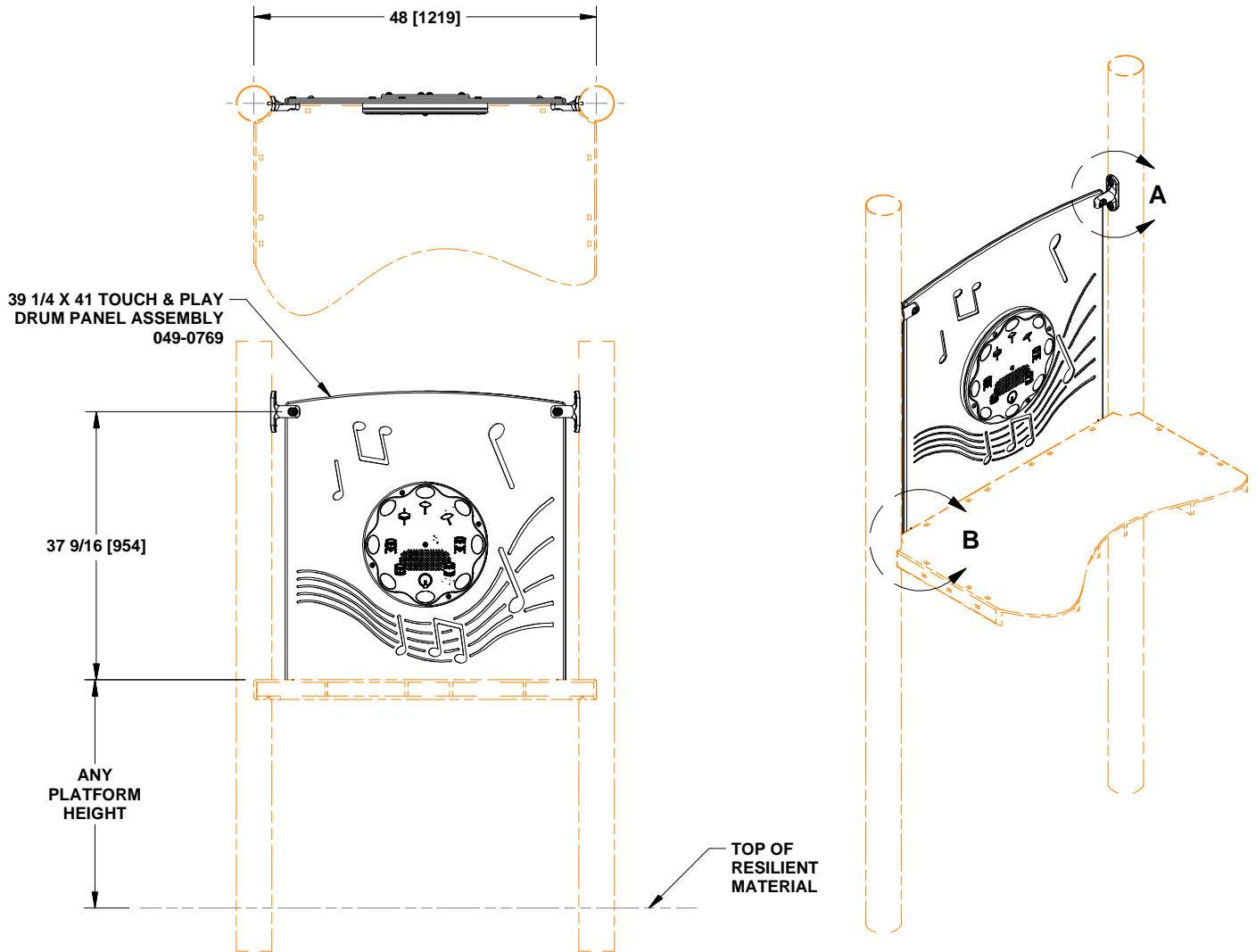
NOTE: PVC coating may need to be removed from mounting holes of parts before installation.

NOTE: Do not tighten hardware until instructed to do so.

1. Determine location of TOUCH & PLAY PIANO PANEL assembly.
2. Attach CASTING, FLAT PANEL to posts using hardware specified in DETAIL A.
3. Attach 39 1/4 X 43 TOUCH & PLAY PIANO PANEL ASSEMBLY to flat panel castings using hardware specified in DETAIL A.
4. Attach panel assembly to platform using hardware specified in DETAIL B.
5. Level panel assembly and tighten all hardware.
6. **Install resilient material in accordance to installation guidelines, ASTM standards and CPSC guidelines.**

BATTERY INSTALLATION

1. Using a suitable driver and the supplied T-45, 3/8" TAMPER PROOF DRIVE BIT, unscrew the four (4) BUTTON HEAD SCREWS and remove the BATTERY BOX COVER. **NOTE: Tampering with the electronic circuitry will void the warranty of the unit.**
2. Insert six (6) D-Cell batteries (not included) into the BATTERY HOLDER, making sure the battery orientation matches that shown on the diagram. **Always use high-quality Alkaline batteries.**
3. Wait up to five minutes after battery installation to allow the batteries and unit to adjust to their environment. Confirm that all panel sensors are working correctly.
4. To re-fit the electronic box enclosure lid, line up the four holes at the corners. Hand-start the button head screws, taking care not to cross-thread. Use the driver to secure.
5. For troubleshooting guidance, see the reference installation manual.



570-1855 TOUCH & PLAY DRUM PANEL

PARTS LIST

PART NO.	DESCRIPTION	QTY
000-0204	CASTING, FLAT PANEL	2
031-0008	T-45, 3/8" TAMPER PROOF DRIVE BIT	1
036-1241	HARDWARE PACKAGE	1
049-0769	39 1/4 X 43 TOUCH & PLAY DRUM PANEL ASSEMBLY	1

NOTE: Hardware package(s) may include extra hardware that is not necessary for this installation.

SPECIFICATIONS

CASTING, FLAT PANEL: A356-T6 Aluminum, Heat- Treated. Finished with baked on powder coating.

HARDWARE PACKAGE: Stainless steel.

39 1/4 X 43 TOUCH & PLAY DRUM PANEL ASSEMBLY: 3/4" co-extruded HDPE, 3/4" extruded HDPE, stainless steel touch-sensors, commercial grade electronics, water-proof marine grade speaker, water-resistant steel enclosure & stainless steel hardware.

SHIPPING WEIGHT: 57 LBS.

INSTALLATION INSTRUCTIONS

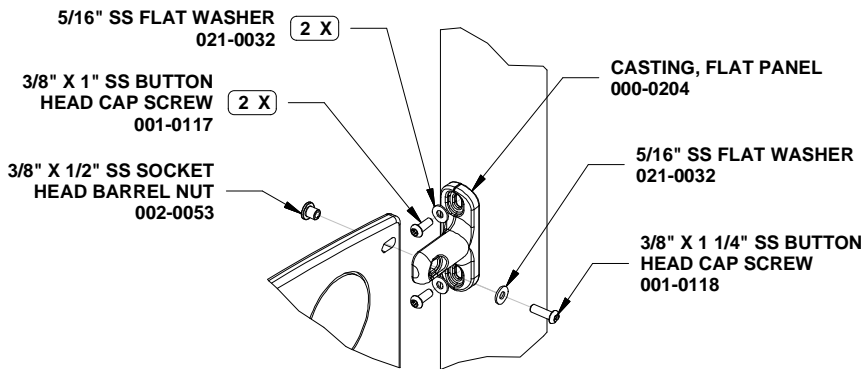
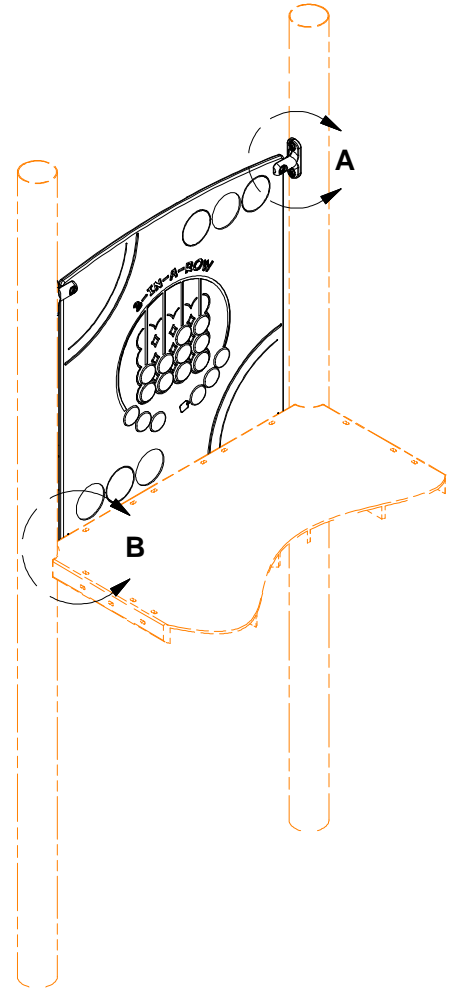
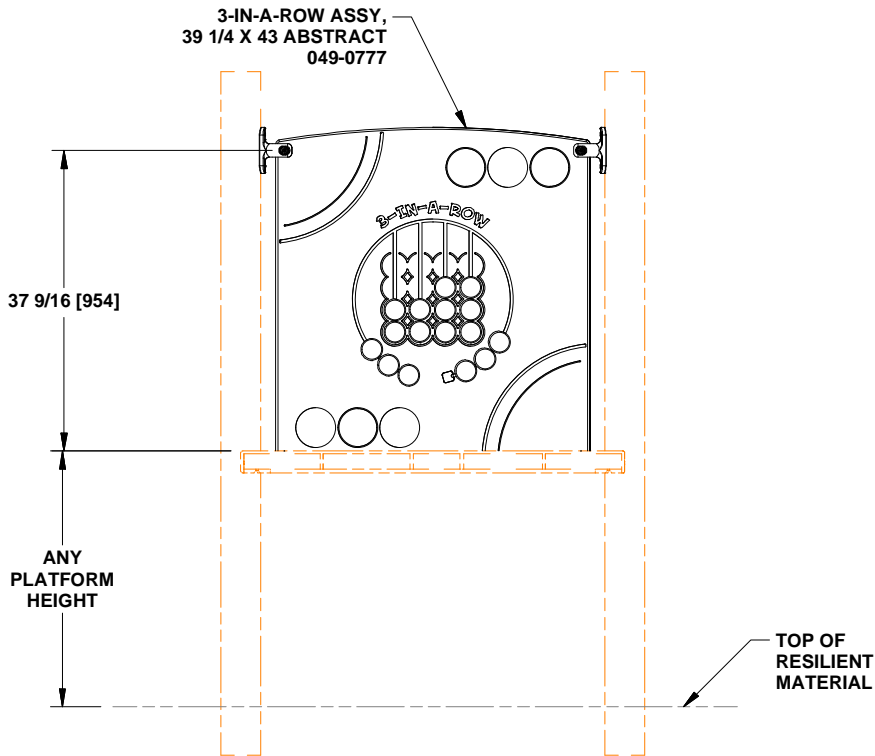
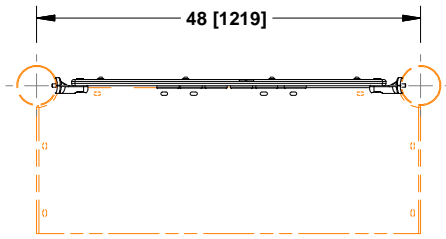
NOTE: PVC coating may need to be removed from mounting holes of parts before installation.

NOTE: Do not tighten hardware until instructed to do so.

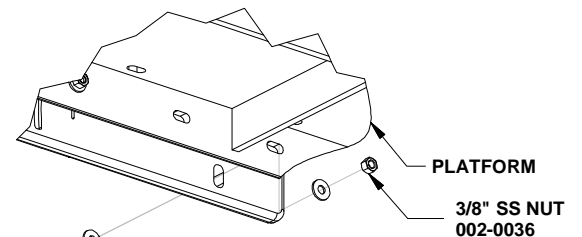
1. Determine location of TOUCH & PLAY DRUM PANEL assembly.
2. Attach CASTING, FLAT PANEL to posts using hardware specified in DETAIL A.
3. Attach 39 1/4 X 43 TOUCH & PLAY DRUM PANEL ASSEMBLY to flat panel castings using hardware specified in DETAIL A.
4. Attach panel assembly to platform using hardware specified in DETAIL B.
5. Level panel assembly and tighten all hardware.
6. **Install resilient material in accordance to installation guidelines, ASTM standards and CPSC guidelines.**

BATTERY INSTALLATION

1. Using a suitable driver and the supplied T-45, 3/8" TAMPER PROOF DRIVE BIT, unscrew the four (4) BUTTON HEAD SCREWS and remove the BATTERY BOX COVER. **NOTE: Tampering with the electronic circuitry will void the warranty of the unit.**
2. Insert six (6) D-Cell batteries (not included) into the BATTERY HOLDER, making sure the battery orientation matches that shown on the diagram. **Always use high-quality Alkaline batteries.**
3. Wait up to five minutes after battery installation to allow the batteries and unit to adjust to their environment. Confirm that all panel sensors are working correctly.
4. To re-fit the electronic box enclosure lid, line up the four holes at the corners. Hand-start the button head screws, taking care not to cross-thread. Use the driver to secure.
5. For troubleshooting guidance, see the reference installation manual.



**DETAIL A
(2 PLACES)**



**DETAIL B
(4 PLACES)**

570-1858 3-IN-A-ROW PANEL, ABOVE PLATFORM

PARTS LIST

<u>PART NO.</u>	<u>DESCRIPTION</u>	<u>QTY</u>
000-0204	CASTING, FLAT PANEL	2
036-1241	HARDWARE PACKAGE	1
049-0777	3-IN-A-ROW ASSY, 39 1/4 X 43 ABSTRACT	1

NOTE: Hardware package(s) may include extra hardware that is not necessary for this installation.

SPECIFICATIONS

CASTING, FLAT PANEL: A356-T6 Aluminum, Heat- Treated. Finished with baked on powder coating.

HARDWARE PACKAGE: Stainless steel.

3-IN-A-ROW ASSY, 39 1/4 X 43 ABSTRACT: Assembly consisting of 1/2 and 3/4" extruded HDPE panels and stainless steel hardware fasteners.

SHIPPING WEIGHT: 45 LBS.

INSTALLATION INSTRUCTIONS

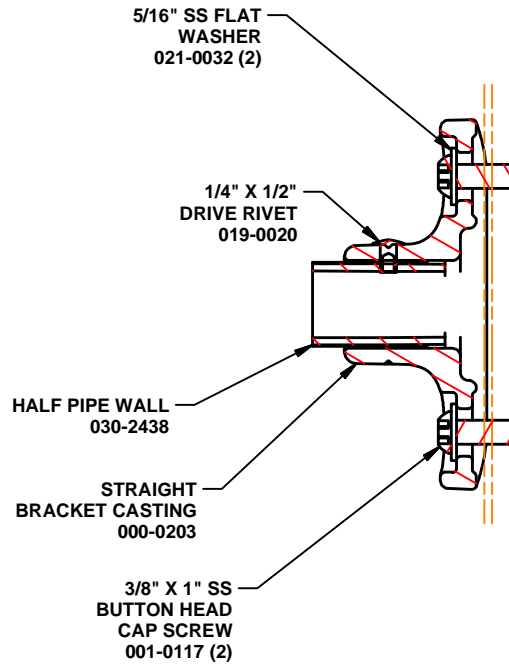
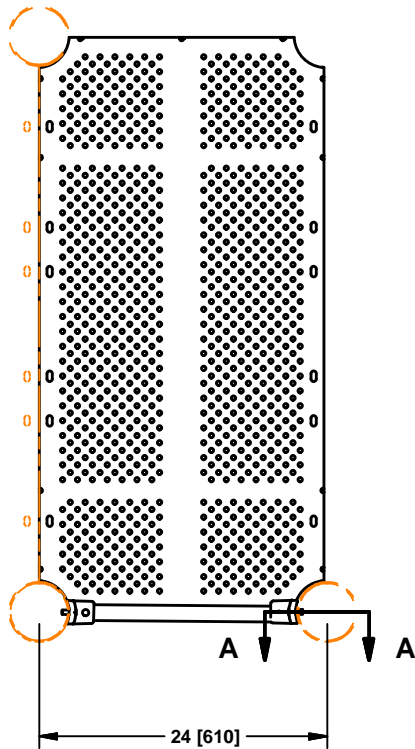
NOTE: PVC coating may need to be removed from mounting holes of parts before installation.

NOTE: Do not tighten hardware until instructed to do so.

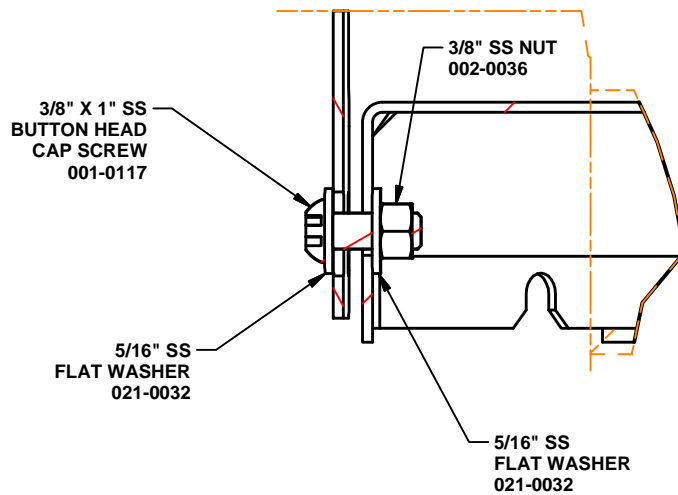
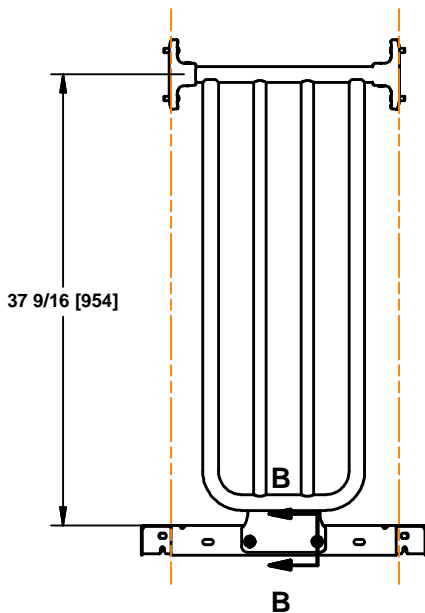
1. Attach FLAT PANEL CASTINGS to posts using hardware specified in DETAIL A.
2. Attach 3-IN-A-ROW ASSY, 39 1/4 X 43 ABSTRACT to the platform using hardware specified in DETAIL B.
3. Attach panel to castings using hardware specified in DETAIL A.
4. Level panel and tighten all hardware.
5. **Install resilient material in accordance to installation guidelines, ASTM standards and CPSC guidelines.**



UNLESS OTHERWISE SPECIFIED, ALL DIMENSIONS ARE INCHES WITH MILLIMETER EQUIVALENT INSIDE [] BRACKETS.



**SECTION A-A
(2 PLACES)**



**SECTION B-B
(2 PLACES)**

570-2624 HALF PIPE WALL ASSEMBLY

PARTS LIST

PART NO.	DESCRIPTION	QTY
000-0203	CASTING, STRAIGHT BRACKET	2
030-2438	HALF PIPE WALL	1
036-1284	HARDWARE PACKAGE	1

NOTE: Hardware package(s) may include extra hardware that is not necessary for this installation.

SPECIFICATIONS

CASTING, STRAIGHT BRACKET: A356-T6 Aluminum, Heat-Treated. Finished with baked on powder coating.

HALF PIPE WALL: One piece all welded construction consisting of 1.315" OD x 14 GA, 1.315" OD x 12 GA, and 1.029" OD x 14 GA galvanized steel tubing. Finished with a baked on powder coating.

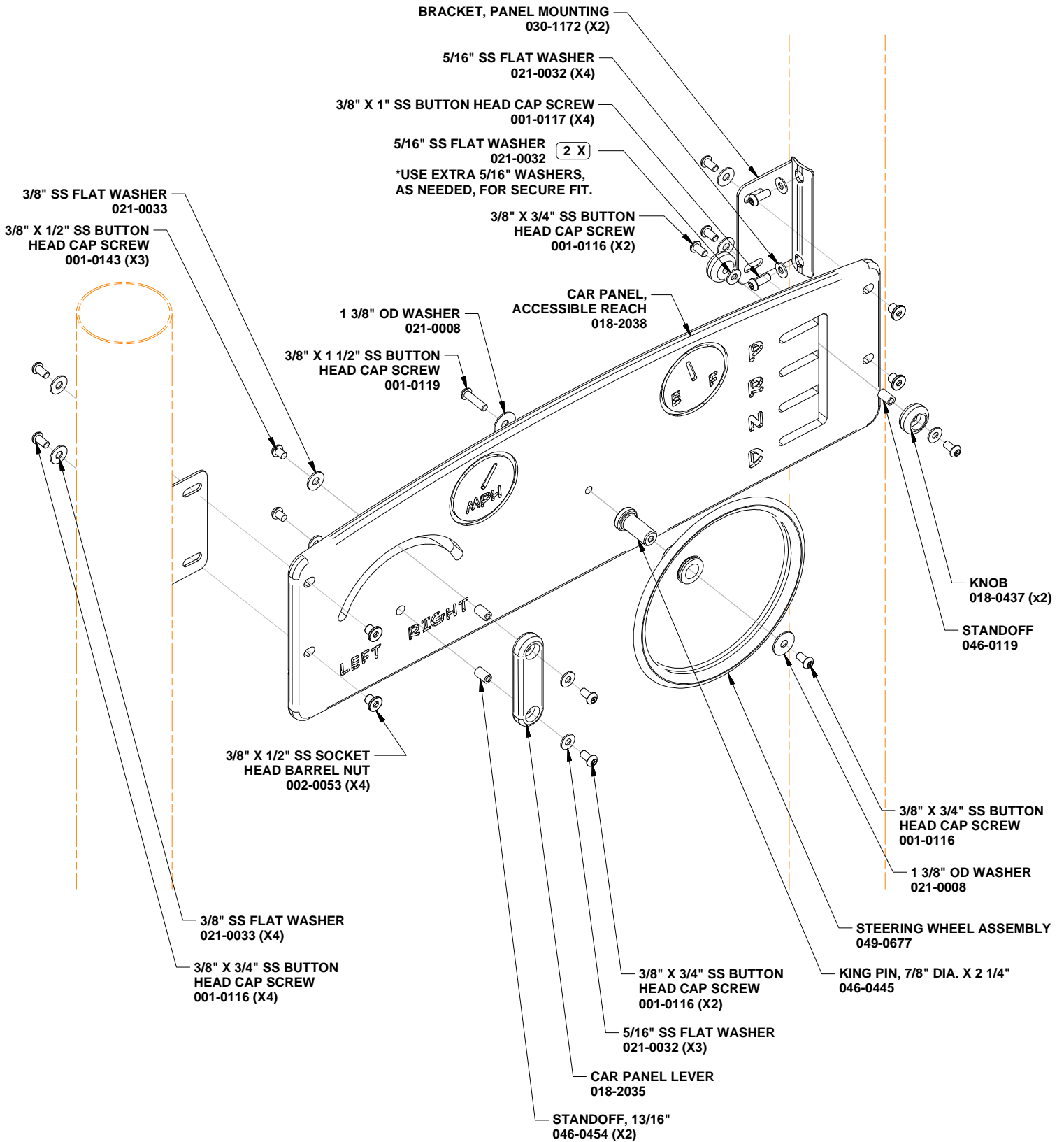
HARDWARE PACKAGE: Stainless steel screws, nuts & washers and aluminum rivets with 302 stainless steel pin.

SHIPPING WEIGHT: 19.6 LBS.

INSTALLATION INSTRUCTIONS

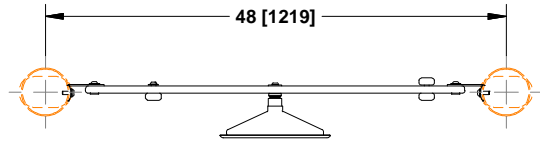
NOTE: PVC coating may need to be removed from mounting holes of parts before installation.

1. Slide BRACKETS onto tube on HALF PIPE WALL.
2. Attach BRACKETS with pipe wall to 5" OD post using 3/8" x 1" SS button head cap screws and 5/16" SS washers. See SECTION A-A.
3. Attach bottom of pipe wall to platform using 3/8" x 1" SS button head cap screws, 5/16" SS washers and 3/8" SS nuts. Tighten all hardware. See SECTION B-B.
4. Drill 1/4"+diameter holes through pilot hole, into pipe wall and through mounting bracket. See SECTION A-A.
5. Drive rivets flush with brackets and pipe wall.
6. Tighten All Hardware.

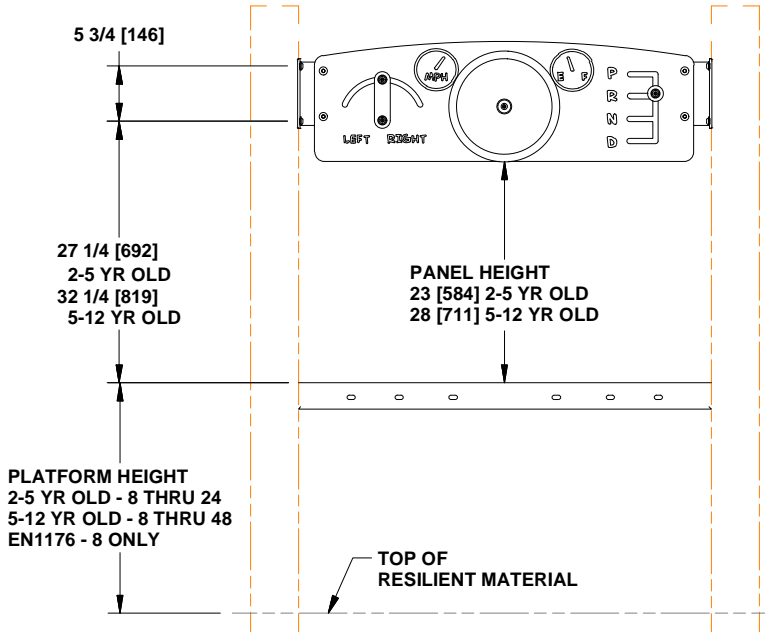


570-2668

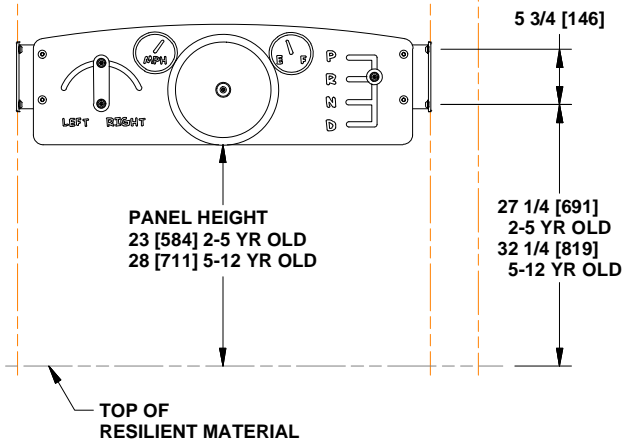
CAR ACCESSIBLE REACH PANEL



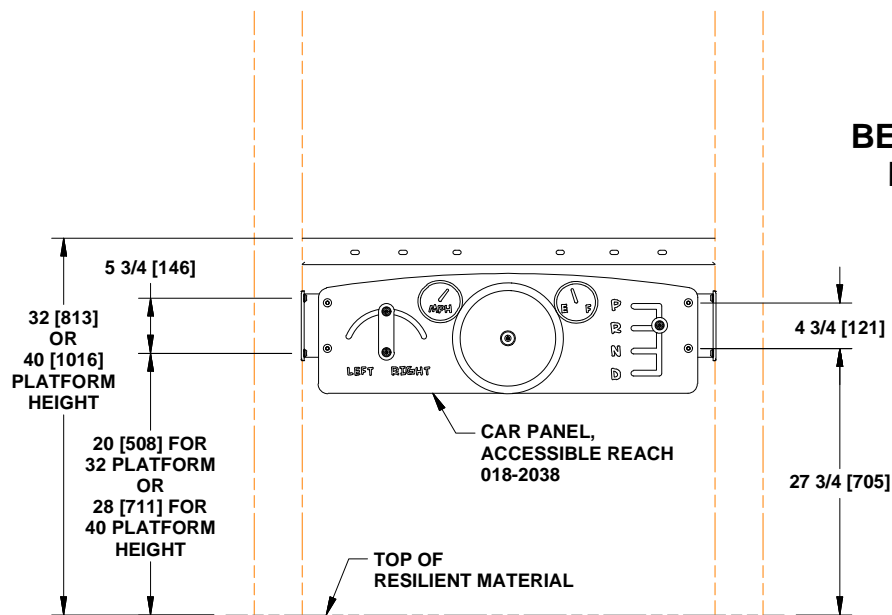
ABOVE PLATFORM INSTALLATION



GROUND LEVEL INSTALLATION



BELOW PLATFORM INSTALLATION



570-2668

CAR ACCESSIBLE REACH PANEL

PARTS LIST

PART NO.	DESCRIPTION	QTY
018-0437	KNOB	2
018-2035	CAR PANEL LEVER	1
018-2038	CAR PANEL, ACCESSIBLE REACH	1
030-1172	BRACKET, PANEL MOUNTING	2
036-0258	HARDWARE PACKAGE	1
036-1242	HARDWARE PACKAGE	1
036-2015	HARDWARE PACKAGE	1
046-0119	STANDOFF	1
046-0445	KING PIN, 7/8" DIA. X 2 1/4"	1
046-0454	STANDOFF, 13/16"	2
049-0677	STEERING WHEEL ASSEMBLY	1

NOTE: Hardware package(s) may include extra hardware that is not necessary for this installation.

SPECIFICATIONS

KNOB; CAR PANEL LEVER: 3/4" extruded HDPE.

CAR PANEL, ACCESSIBLE REACH: 3/4" co-extruded HDPE.

BRACKET, PANEL MOUNTING: One piece all welded construction consisting of 10 GA galvanized sheet steel and a formed 3/16" stainless steel plate, finished with a baked on powder coating.

HARDWARE PACKAGE; HARDWARE PACKAGE: Stainless steel.

KING PIN, 7/8" DIA. X 2 1/4": 304 Stainless Steel.

STANDOFF; STANDOFF, 13/16": 1/2" OD threaded stainless steel tubing.

STEERING WHEEL ASSEMBLY: Assembly Consisting of a one piece all welded steering wheel made of 14 GA spun steel and 1 3/8" OD Steel Tube and a bronze bearing. Steering wheel is PVC coated after fabrication.

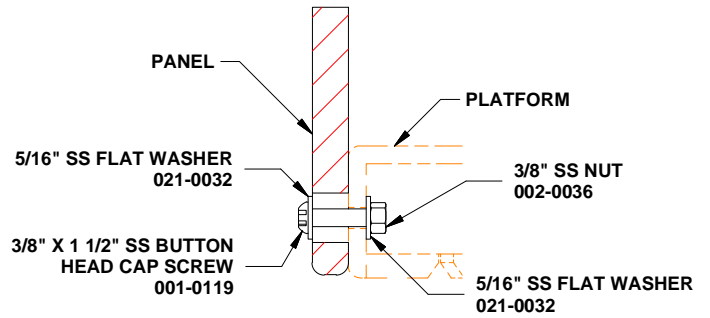
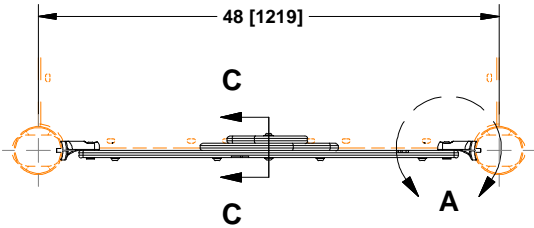
SHIPPING WEIGHT: 23 LBS.

INSTALLATION INSTRUCTIONS

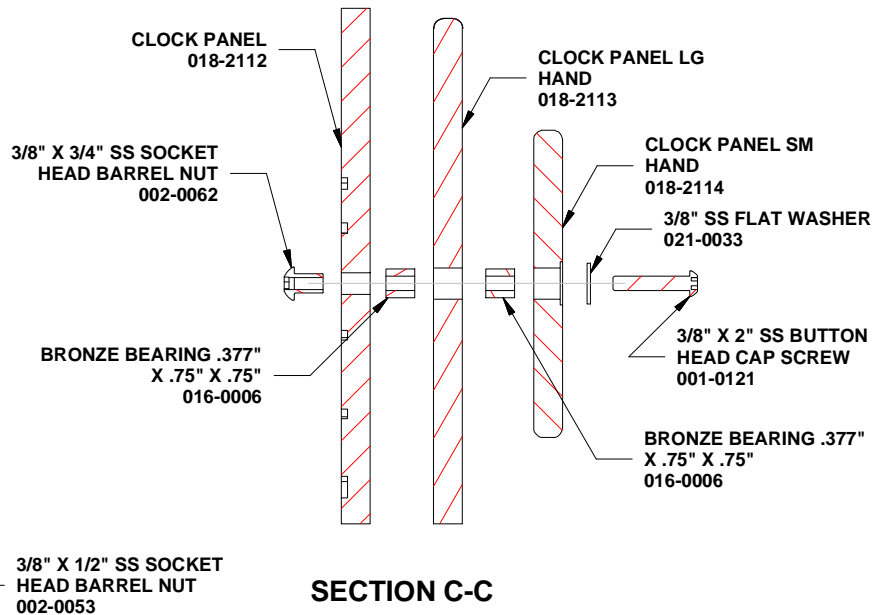
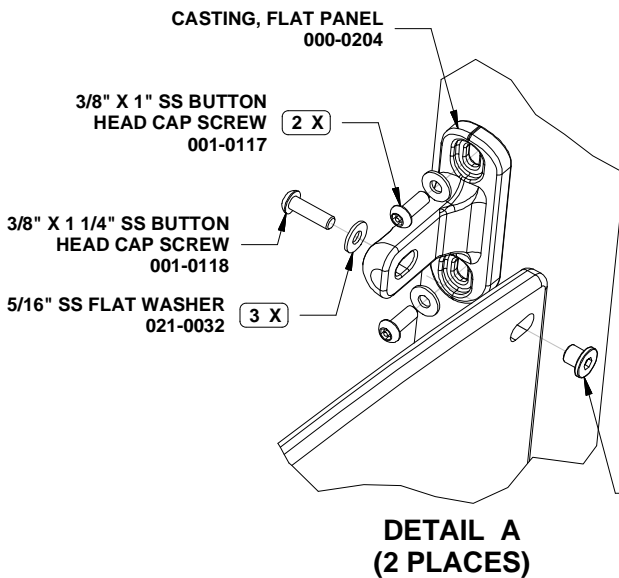
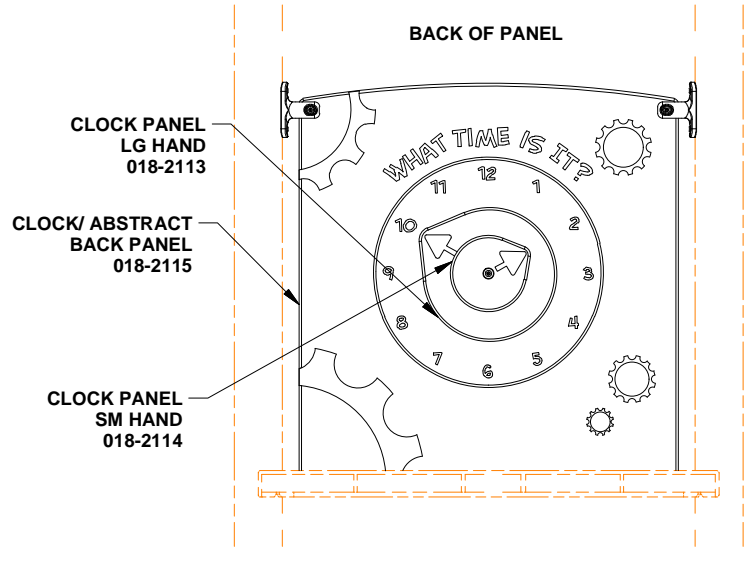
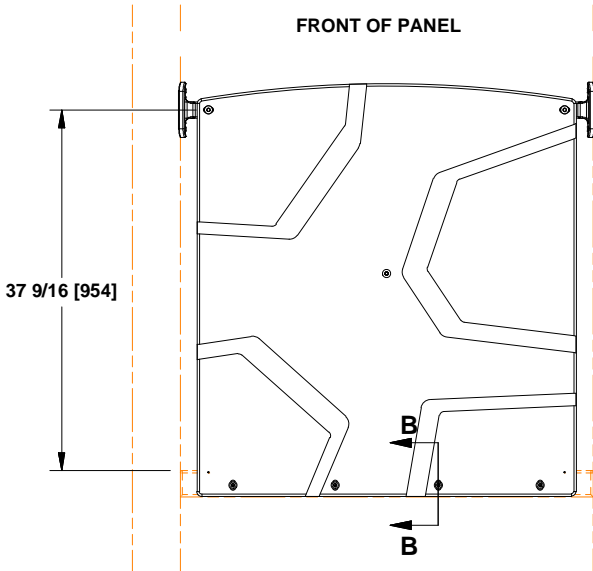
NOTE: PVC coating may need to be removed from mounting holes of parts before installation.

NOTE: Do not tighten hardware until instructed to do so.

1. Determine location of panel assembly.
2. Attach PANEL MOUNTING BRACKET to posts using 3/8" X 1" SS button head cap screws and 5/16" SS flat washers.
Do not tighten hardware.
3. Attach CAR PANEL, ACCESSIBLE REACH to panel mounting brackets using 3/8" X 1" SS button head cap screws, 3/8" SS flat washers and 3/8" SS socket head barrel nuts. See exploded view on the first page.
4. Assemble KNOB and LEVER to panel using 1/2" OD X 13/16" STANDOFF, 3/8" X 3/4" SS button head cap screws, 3/8" X 1/2" SS button head cap screws and 5/16" SS flat washers. **NOTE: Use extra 5/16" washers, as needed, for secure fit.**
5. Attach the KING PIN to the PANEL using 3/8" X 1 1/2" SS button head cap screws, 1 3/8" OD washer. Tighten hardware. See exploded view on the first page.
6. Sleeve STEERING WHEEL ASSEMBLY onto king pin and attach using 1 3/8" OD washer and 3/8" X 3/4" SS button head cap screw. See exploded view on the first page.
7. Make sure wheel spins freely, if not you may need to remove more pvc from the back of the steering wheel.
8. Level and center the panel assembly between the posts and tighten all hardware.
9. **Install resilient material in accordance to installation guidelines, ASTM standards and CPSC guidelines.**



**SECTION B-B
(4 PLACES)**



570-2678 CLOCK PANEL

PARTS LIST

<u>PART NO.</u>	<u>DESCRIPTION</u>	<u>QTY</u>
000-0204	CASTING, FLAT PANEL	2
016-0006	BRONZE BEARING .377" X .75" X .75"	2
018-2113	CLOCK PANEL LG HAND	1
018-2114	CLOCK PANEL SM HAND	1
018-2115	CLOCK/ ABSTRACT BACK	1
036-0844	HARDWARE PACKAGE	1
036-0880	HARDWARE PACKAGE	1
036-1230	HARDWARE PACKAGE	1
036-2022	HARDWARE PACKAGE	1

NOTE: Hardware package(s) may include extra hardware that is not necessary for this installation.

SPECIFICATIONS

CASTING, FLAT PANEL: A356-T6 Aluminum, Heat-Treated. Finished with baked on powder coating.

BRONZE BEARING .377" X .75" X .75": Oil impregnated, bronze.

CLOCK PANEL LG HAND; CLOCK PANEL SM HAND; CLOCK/ ABSTRACT BACK PANEL: 3/4" co-extruded HDPE.

HARDWARE PACKAGE; HARDWARE PACKAGE; HARDWARE PACKAGE; HARDWARE PACKAGE: Stainless steel.

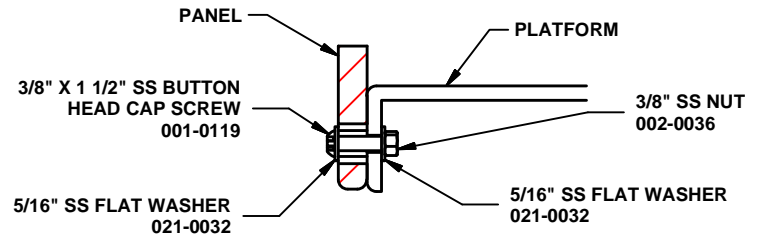
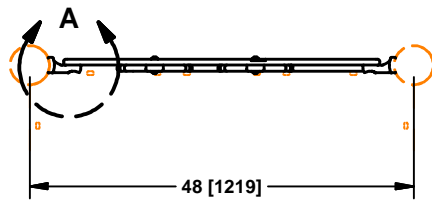
SHIPPING WEIGHT: 49 LBS.

INSTALLATION INSTRUCTIONS

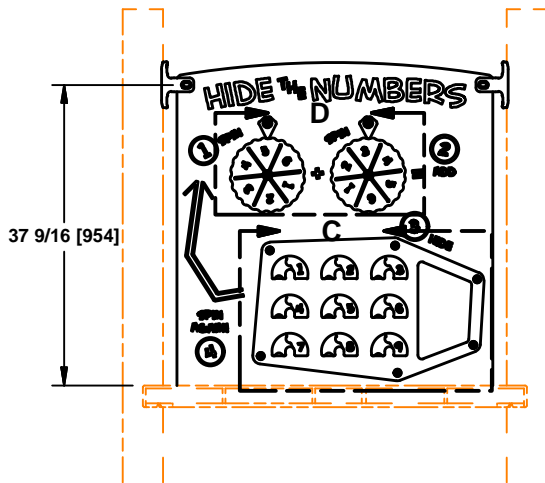
NOTE: PVC coating may need to be removed from mounting holes of parts before installation.

NOTE: Do not tighten hardware until instructed to do so.

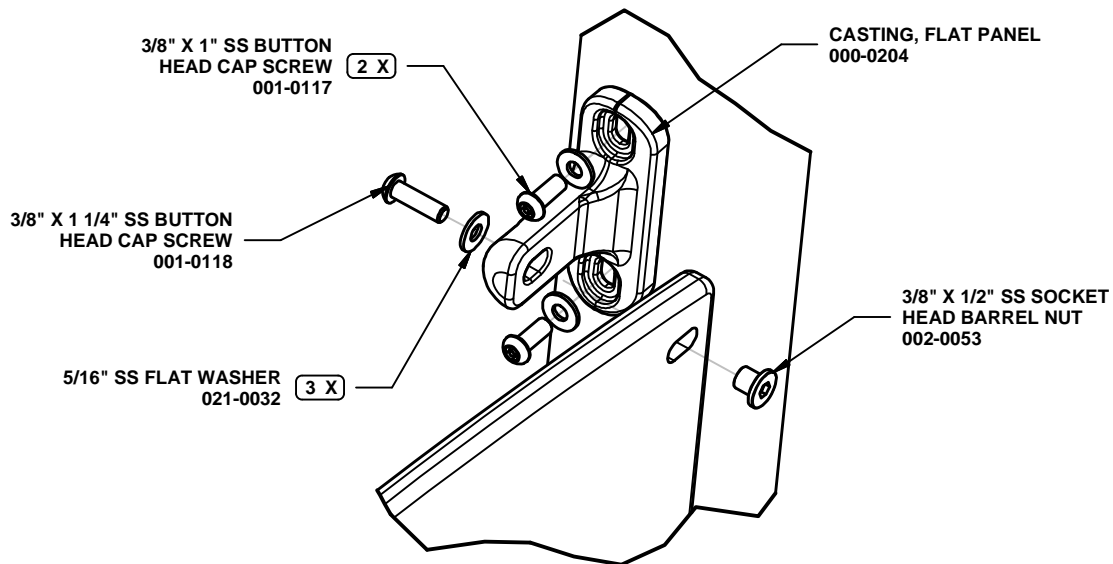
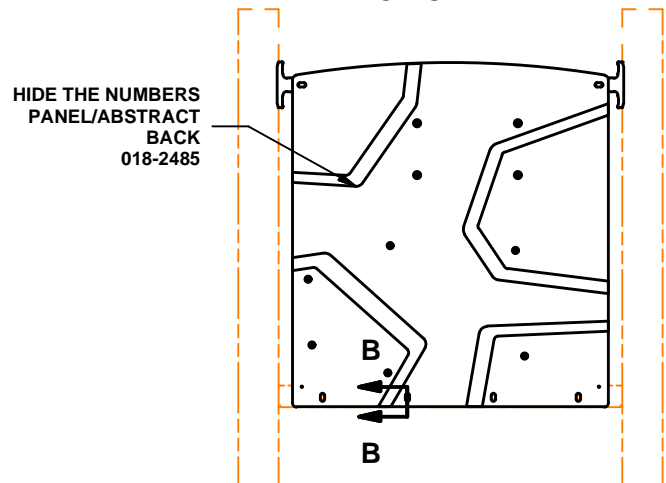
1. Determine location of Panel assembly.
2. Attach FLAT PANEL CASTINGS to posts using 3/8" X 1" SS button head cap screws and 5/16" SS flat washers. See DETAIL A.
3. Attach PANEL to platform using 3/8" X 1 1/2" SS button head cap screws, 5/16" SS flat washers and 3/8" SS nuts.
See SECTION B-B.
4. Attach CLOCK PANEL SM HAND and CLOCK PANEL LG HAND to CLOCK PANEL using BRONZE BEARING .377" X .75" X .75", 3/8" X 3/4" SS socket head barrel nut, 3/8" X 2" SS button head cap screw, and 3/8" SS flat washer. See SECTION C-C.
5. Level panel assembly and tighten all hardware, make sure wheel spins freely.
6. **Install resilient material accordance to installation guidelines, ASTM standards and CPSC guidelines.**



FRONT OF PANEL

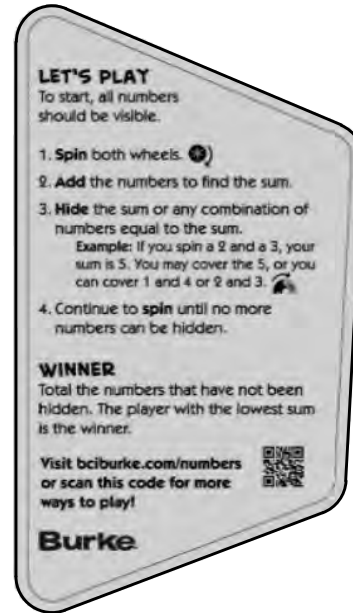
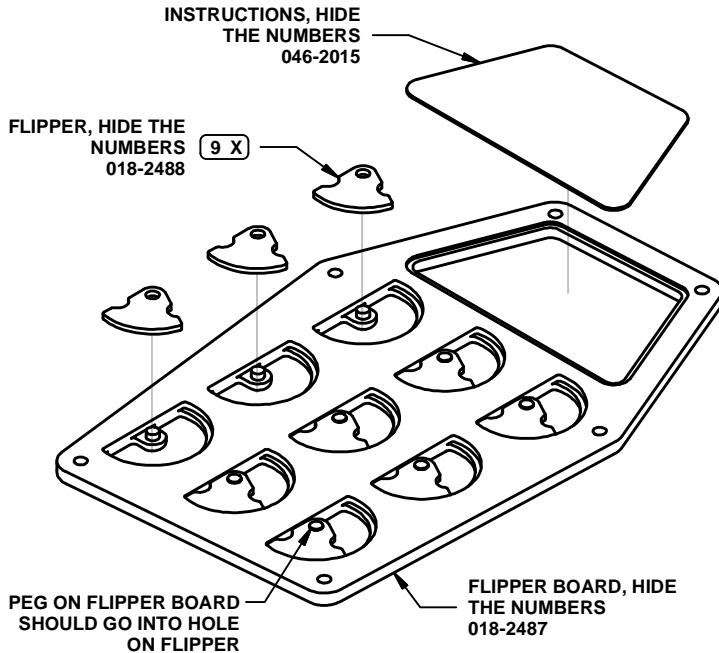


BACK OF PANEL



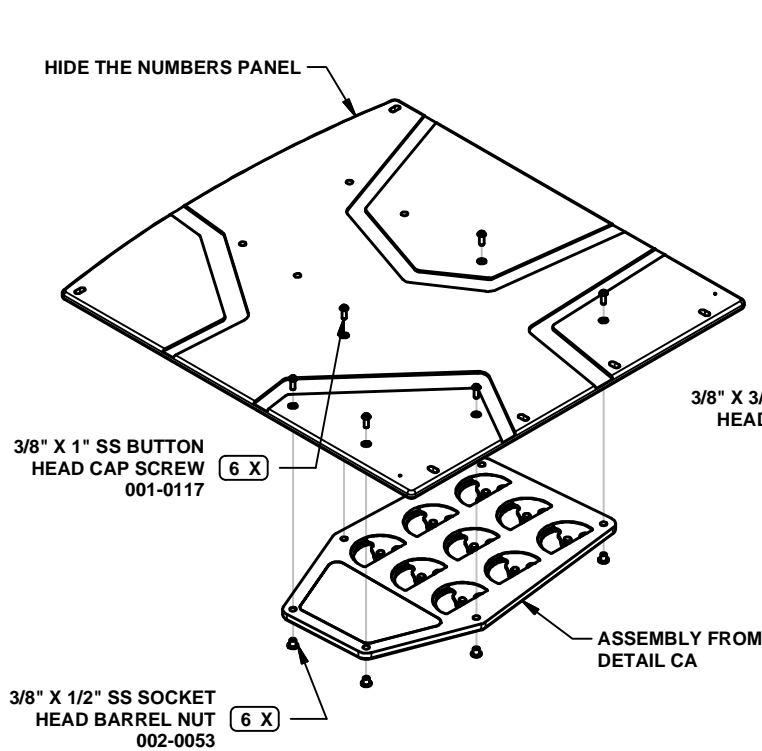
DETAIL A (2 PLACES)

570-2713 HIDE THE NUMBERS PANEL

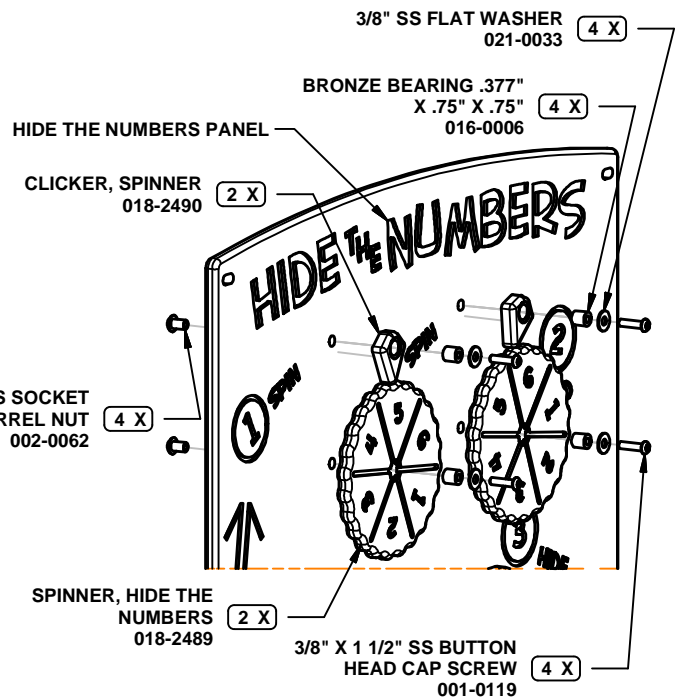


TEXT ON DIBOND MUST GO DOWN IN FLIPPER BOARD FRAME

DETAIL CA



DETAIL C



DETAIL D

570-2713 HIDE THE NUMBERS PANEL

PARTS LIST

PART NO.	DESCRIPTION	QTY
000-0204	CASTING, FLAT PANEL	2
016-0006	BRONZE BEARING, .377" X .75" X .75"	4
018-2485	HIDE THE NUMBERS PANEL/ABSTRACT BACK	1
018-2487	FLIPPER BOARD, HIDE THE NUMBERS	1
018-2488	FLIPPER, HIDE THE NUMBERS	9
018-2489	SPINNER, HIDE THE NUMBERS	2
018-2490	CLICKER, SPINNER	2
036-1241	HARDWARE PACKAGE	1
036-1547	HARDWARE PACKAGE	1
046-2015	INSTRUCTIONS, HIDE THE NUMBERS	1

NOTE: Hardware package(s) may include extra hardware that is not necessary for this installation.

SPECIFICATIONS

CASTING, FLAT PANEL: A356-T6 Aluminum, Heat- Treated. Finished with baked on powder coating.

BRONZE BEARING, .377" X .75" X .75": Oil impregnated, bronze.

HIDE THE NUMBERS PANEL/ABSTRACT BACK; SPINNER, HIDE THE NUMBERS: 3/4" Co-extruded HDPE.

FLIPPER BOARD, HIDE THE NUMBERS; FLIPPER, HIDE THE NUMBERS; CLICKER, SPINNER: Extruded HDPE.

HARDWARE PACKAGE; HARDWARE PACKAGE: Stainless steel.

INSTRUCTIONS, HIDE THE NUMBERS: A full color graphic sign printed on 3mm DiBond.

SHIPPING WEIGHT: 68 LBS.

INSTALLATION INSTRUCTIONS

NOTE: PVC coating may need to be removed from mounting holes of parts before installation.

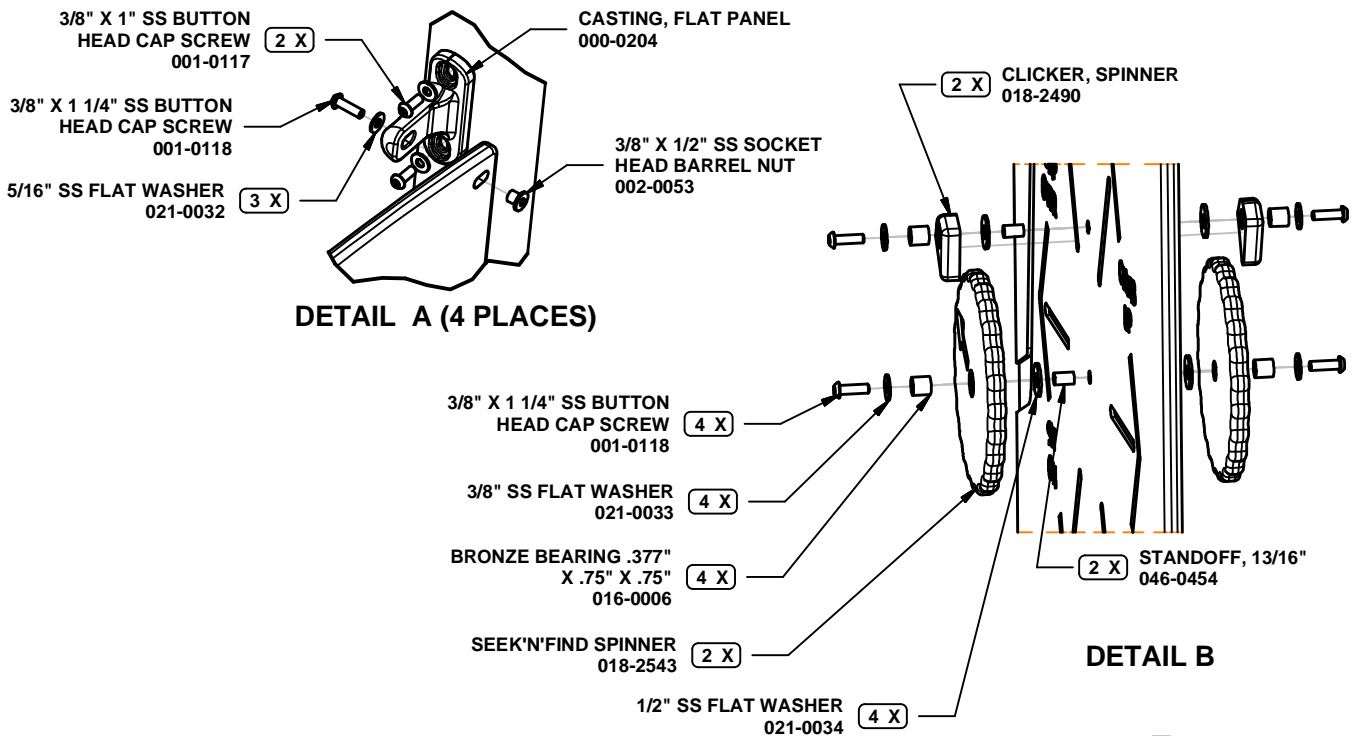
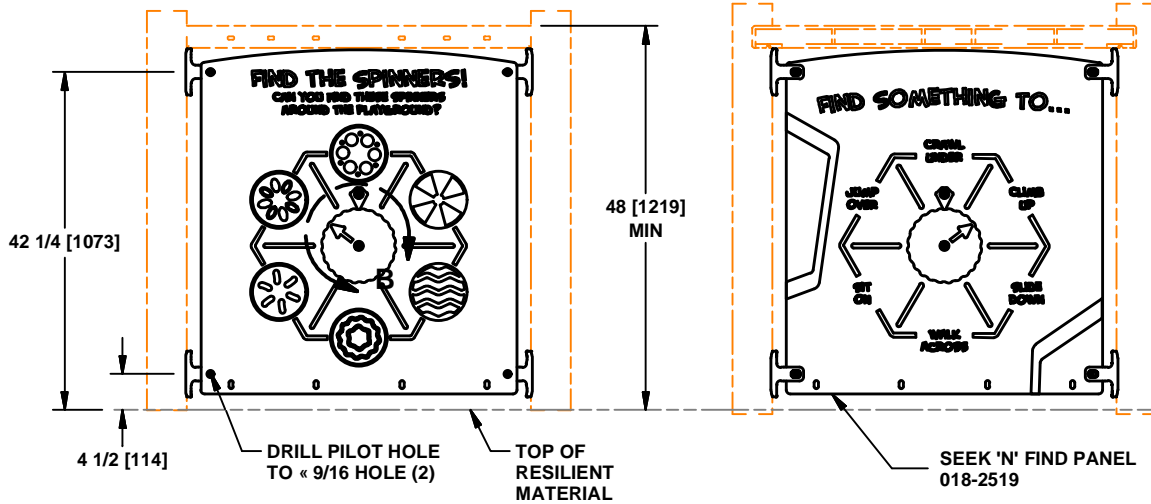
NOTE: Do not tighten hardware until instructed to do so.

1. Attach CASTING, FLAT PANEL to posts using hardware specified in DETAIL A.
2. Insert FLIPPER, HIDE THE NUMBERS into the pockets of the FLIPPER BOARD, HIDE THE NUMBERS. The hole in the flipper should slide over the pegs in the pockets of the flipper board. See DETAIL CA.
3. Insert INSTRUCTIONS, HIDE THE NUMBERS into the pocket in the flipper board. See DETAIL CA.
4. Lay HIDE THE NUMBERS PANEL/ABSTRACT BACK onto of the flipper board assembly. Line up the holes and fasten using hardware specified in DETAIL C.
5. Attach the hide the numbers panel to the casting using hardware specified in DETAIL A.
6. Attach hide the numbers panel to the platform using hardware specified in SECTION B-B.
7. Attach BRONZE BEARING, .377" X .75" X .75", SPINNER, HIDE THE NUMBERS, and CLICKER, SPINNER using hardware specified in DETAIL D.
8. Level panel assembly and tighten all hardware.
9. **Install resilient material in accordance to installation guidelines, ASTM standards, and CPSC guidelines.**



FRONT OF PANEL

BACK OF PANEL



570-2718 SEEK'N'FIND 2-SIDED PLAY PANEL, BELOW PLATFORM

PARTS LIST

PART NO.	DESCRIPTION	QTY
000-0204	CASTING, FLAT PANEL	4
016-0006	BRONZE BEARING, .377" X .75" X .75"	4
018-2490	CLICKER, SPINNER	2
018-2519	SEEK'N'FIND PANEL	1
018-2543	SEEK'N'FIND SPINNER	2
036-1233	HARDWARE PACKAGE	1
036-1532	HARDWARE PACKAGE	4
046-0454	STANDOFF, 13/16"	2

NOTE: Hardware package(s) may include extra hardware that is not necessary for this installation.

SPECIFICATIONS

CASTING, FLAT PANEL: A356-T6 Aluminum, Heat-Treated. Finished with baked on powder coating.

BRONZE BEARING, .377" X .75" X .75": Oil impregnated, bronze.

CLICKER, SPINNER: 3/4" Extruded HDPE.

SEEK'N'FIND PANEL; SEEK'N'FIND SPINNER: 3/4" Co-extruded HDPE.

HARDWARE PACKAGE; HARDWARE PACKAGE: Stainless steel.

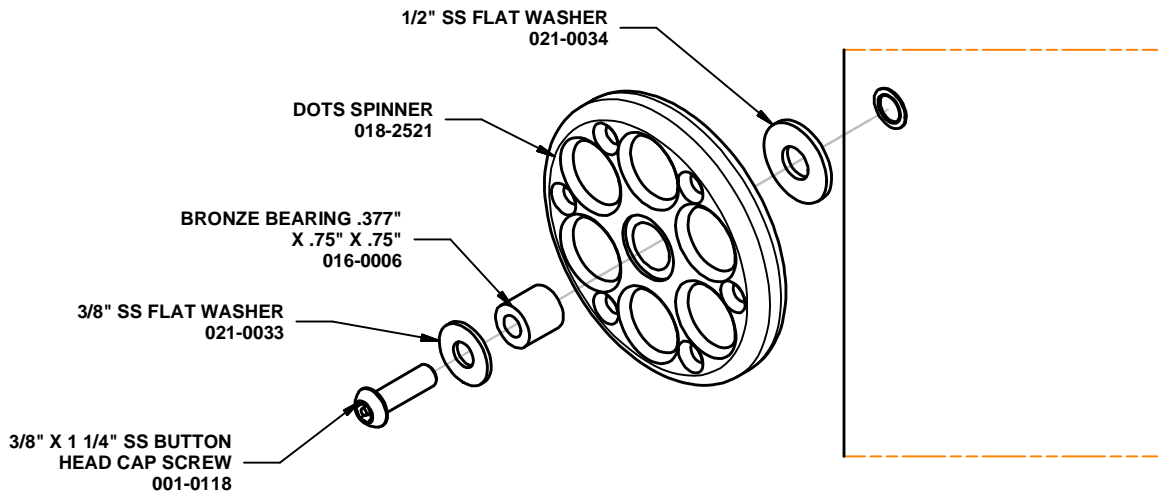
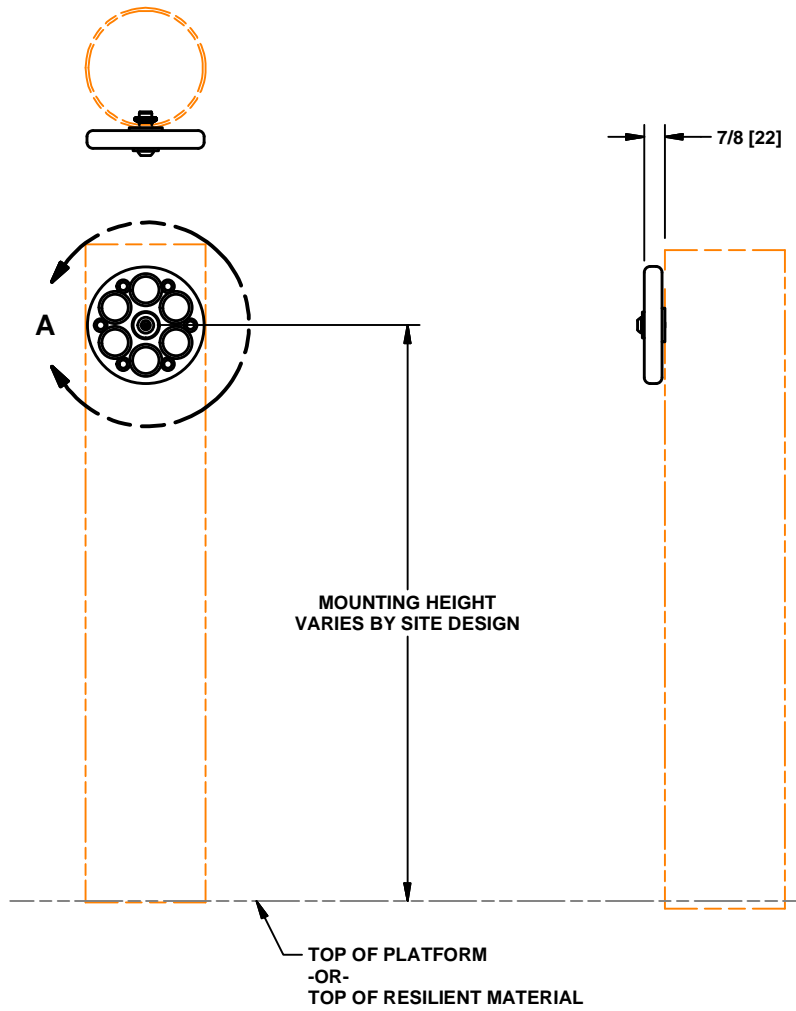
STANDOFF, 13/16": 1/2" OD threaded stainless steel tubing.

SHIPPING WEIGHT: 57 LBS.

INSTALLATION INSTRUCTIONS

NOTE: Do not tighten hardware until instructed to do so.

1. Attach CASTING, FLAT PANEL to posts using hardware specified in DETAIL A.
2. Drill 9/16" diameter hole through the pilot holes in SEEK'N'FIND PANEL.
3. Attach the seek'n'find panel to the castings using hardware specified in DETAIL A.
4. Attach BRONZE BEARING, .377" X .75" X .75", STANDOFF 13/16", SEEK'N'FIND SPINNER, and CLICKER, SPINNER using hardware specified in DETAIL B.
5. Level panel assembly and tighten all hardware.
6. **Install resilient material in accordance to installation guidelines, ASTM standards, and CPSC guidelines.**



DETAIL A

570-2721 DOTS POST MOUNTED SPINNER

PARTS LIST

<u>PART NO.</u>	<u>DESCRIPTION</u>	<u>QTY</u>
016-0006	BRONZE BEARING .377" X .75" X .75"	1
018-2521	DOTS SPINNER	1
036-1532	HARDWARE PACKAGE	1

NOTE: Hardware package(s) may include extra hardware that is not necessary for this installation.

SPECIFICATIONS

BRONZE BEARING .377" X .75" X .75": Oil impregnated bronze.

DOTS SPINNER: 3/4" Co-Extruded HDPE

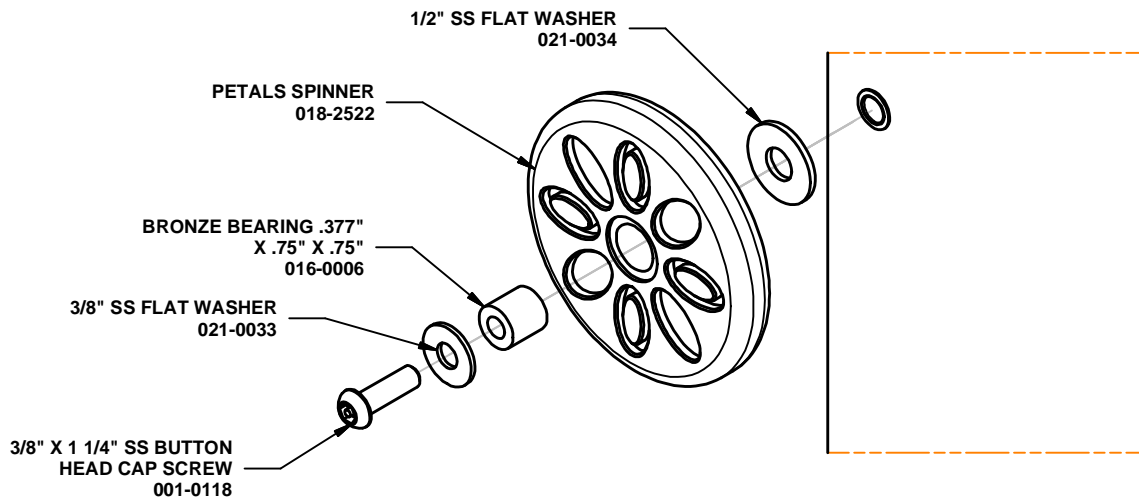
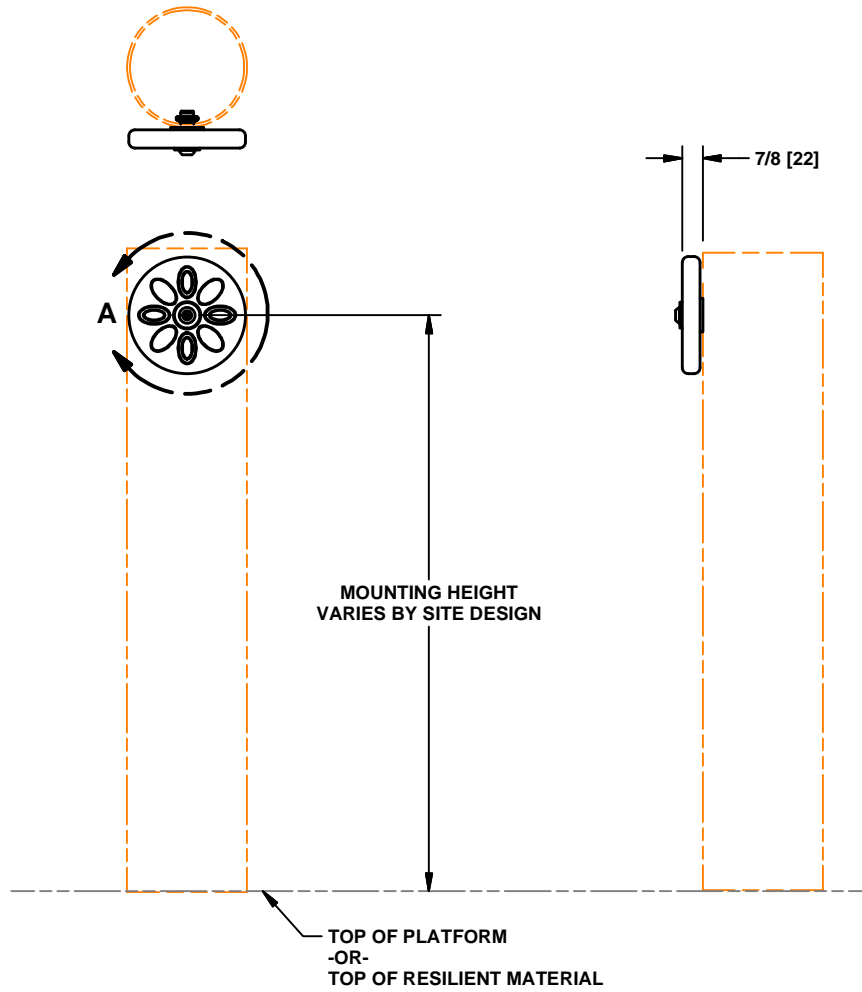
HARDWARE PACKAGE: Stainless steel.

SHIPPING WEIGHT: 1 LBS.

INSTALLATION INSTRUCTIONS

NOTE: Do not tighten hardware until instructed to do so.

1. Attach DOTS SPINNER to post using hardware specified in DETAIL A.
2. Tighten all hardware.
3. **Install resilient material in accordance to installation guidelines, ASTM standards, and CPSC guidelines.**



DETAIL A

570-2722 PETALS POST MOUNTED SPINNER

PARTS LIST

<u>PART NO.</u>	<u>DESCRIPTION</u>	<u>QTY</u>
016-0006	BRONZE BEARING .377" X .75" X .75"	1
018-2522	PETALS SPINNER	1
036-1532	HARDWARE PACKAGE	1

NOTE: Hardware package(s) may include extra hardware that is not necessary for this installation.

SPECIFICATIONS

BRONZE BEARING .377" X .75" X .75": Oil impregnated bronze.

PETALS SPINNER: 3/4" Co-Extruded HDPE

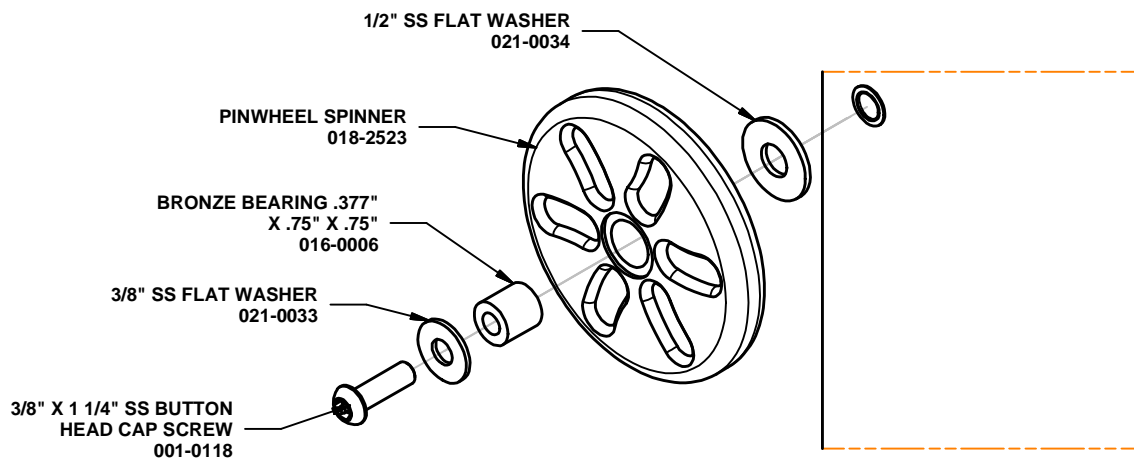
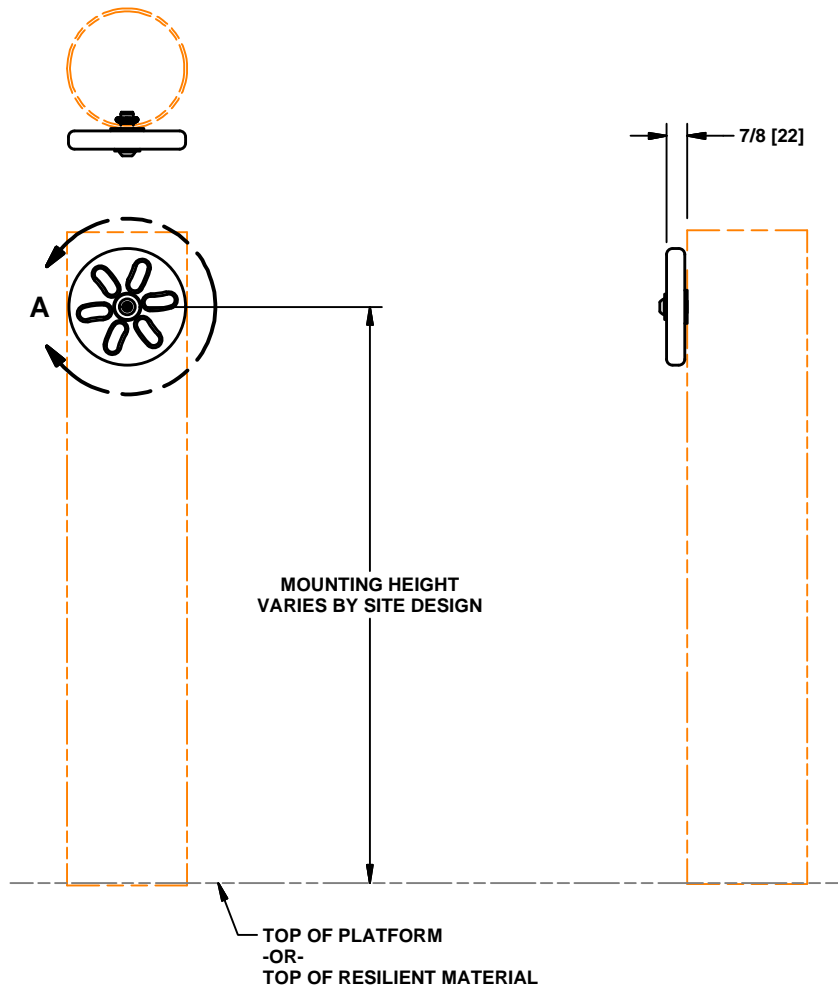
HARDWARE PACKAGE: Stainless steel.

SHIPPING WEIGHT: 1 LBS.

INSTALLATION INSTRUCTIONS

NOTE: Do not tighten hardware until instructed to do so.

1. Attach PETALS SPINNER to post using hardware specified in DETAIL A.
2. Tighten all hardware.
3. **Install resilient material in accordance to installation guidelines, ASTM standards, and CPSC guidelines.**



DETAIL A

570-2723 PINWHEEL POST MOUNTED SPINNER

PARTS LIST

<u>PART NO.</u>	<u>DESCRIPTION</u>	<u>QTY</u>
016-0006	BRONZE BEARING .377" X .75" X .75"	1
018-2523	PINWHEEL SPINNER	1
036-1532	HARDWARE PACKAGE	1

NOTE: Hardware package(s) may include extra hardware that is not necessary for this installation.

SPECIFICATIONS

BRONZE BEARING .377" X .75" X .75": Oil impregnated bronze.

PINWHEEL SPINNER: 3/4" Co-Extruded HDPE

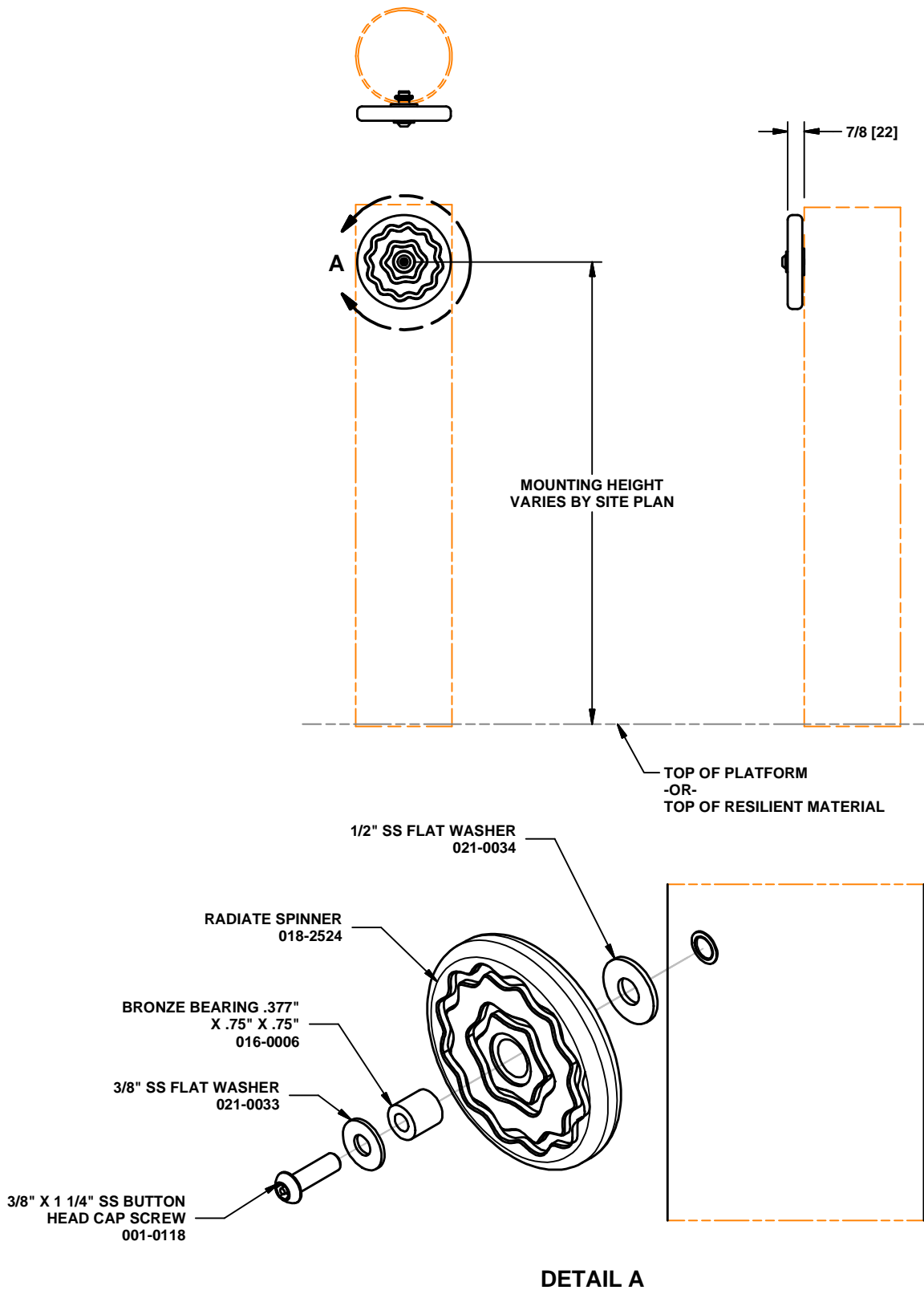
HARDWARE PACKAGE: Stainless steel.

SHIPPING WEIGHT: 1 LBS.

INSTALLATION INSTRUCTIONS

NOTE: Do not tighten hardware until instructed to do so.

1. Attach PINWHEEL SPINNER to post using hardware specified in DETAIL A.
2. Tighten all hardware.
3. **Install resilient material in accordance to installation guidelines, ASTM standards, and CPSC guidelines.**



570-2724 RADIATE POST MOUNTED SPINNER

PARTS LIST

<u>PART NO.</u>	<u>DESCRIPTION</u>	<u>QTY</u>
016-0006	BRONZE BEARING .377" X .75" X .75"	1
018-2524	RADIATE SPINNER	1
036-1532	HARDWARE PACKAGE	1

NOTE: Hardware package(s) may include extra hardware that is not necessary for this installation.

SPECIFICATIONS

BRONZE BEARING .377" X .75" X .75": Oil impregnated bronze.

RADIATE SPINNER: 3/4" Co-Extruded HDPE

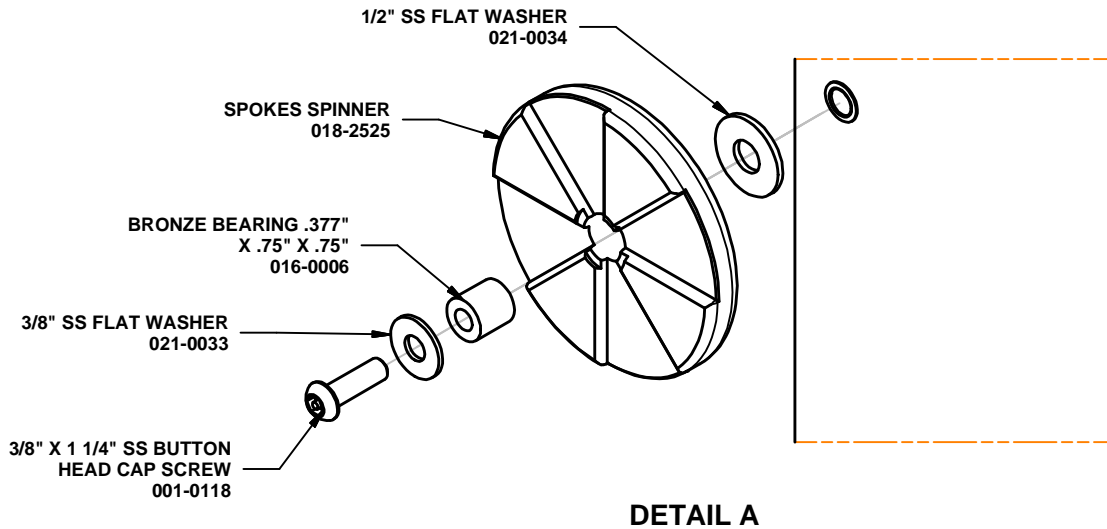
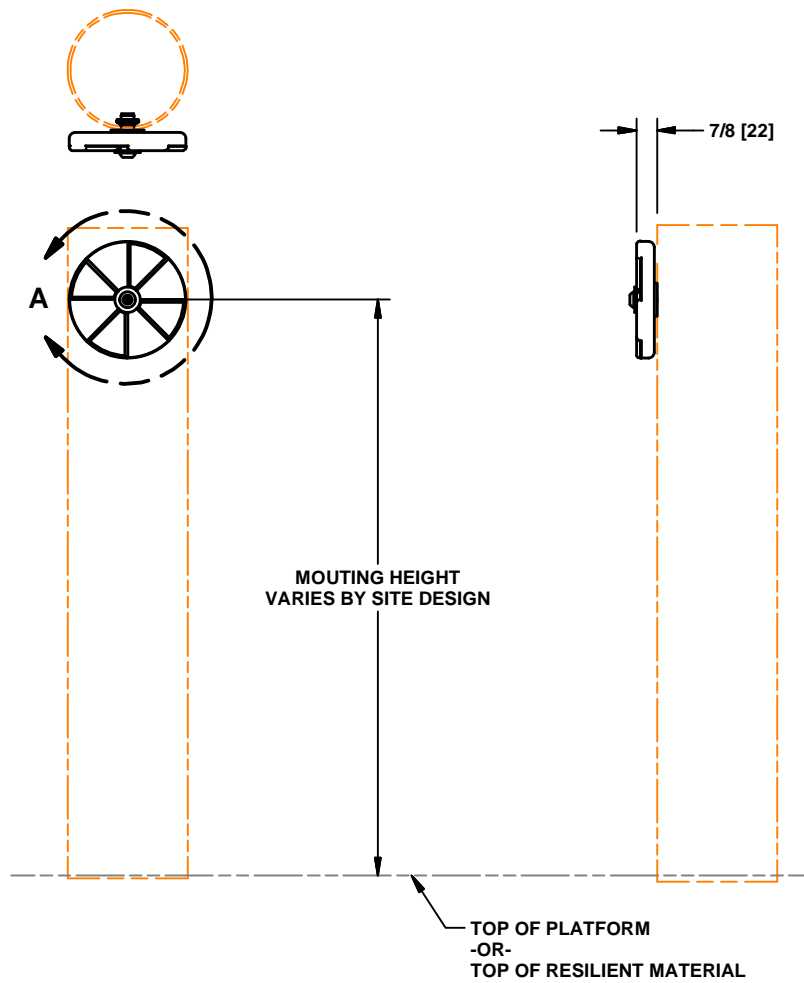
HARDWARE PACKAGE: Stainless steel.

SHIPPING WEIGHT: 1 LBS.

INSTALLATION INSTRUCTIONS

NOTE: Do not tighten hardware until instructed to do so.

1. Attach RADIATE SPINNER to post using hardware specified in DETAIL A.
2. Tighten all hardware.
3. **Install resilient material in accordance to installation guidelines, ASTM standards, and CPSC guidelines.**



570-2725 SPOKES POST MOUNTED SPINNER

PARTS LIST

<u>PART NO.</u>	<u>DESCRIPTION</u>	<u>QTY</u>
016-0006	BRONZE BEARING .377" X .75" X .75"	1
018-2525	SPOKES SPINNER	1
036-1532	HARDWARE PACKAGE	1

NOTE: Hardware package(s) may include extra hardware that is not necessary for this installation.

SPECIFICATIONS

BRONZE BEARING .377" X .75" X .75": Oil impregnated bronze.

SPOKES SPINNER: 3/4" Co-Extruded HDPE

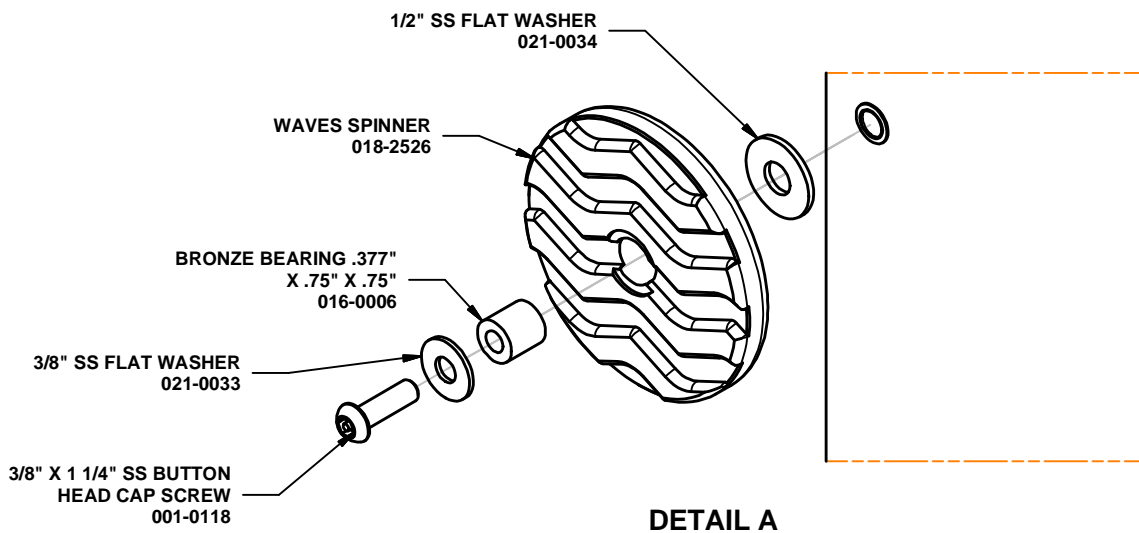
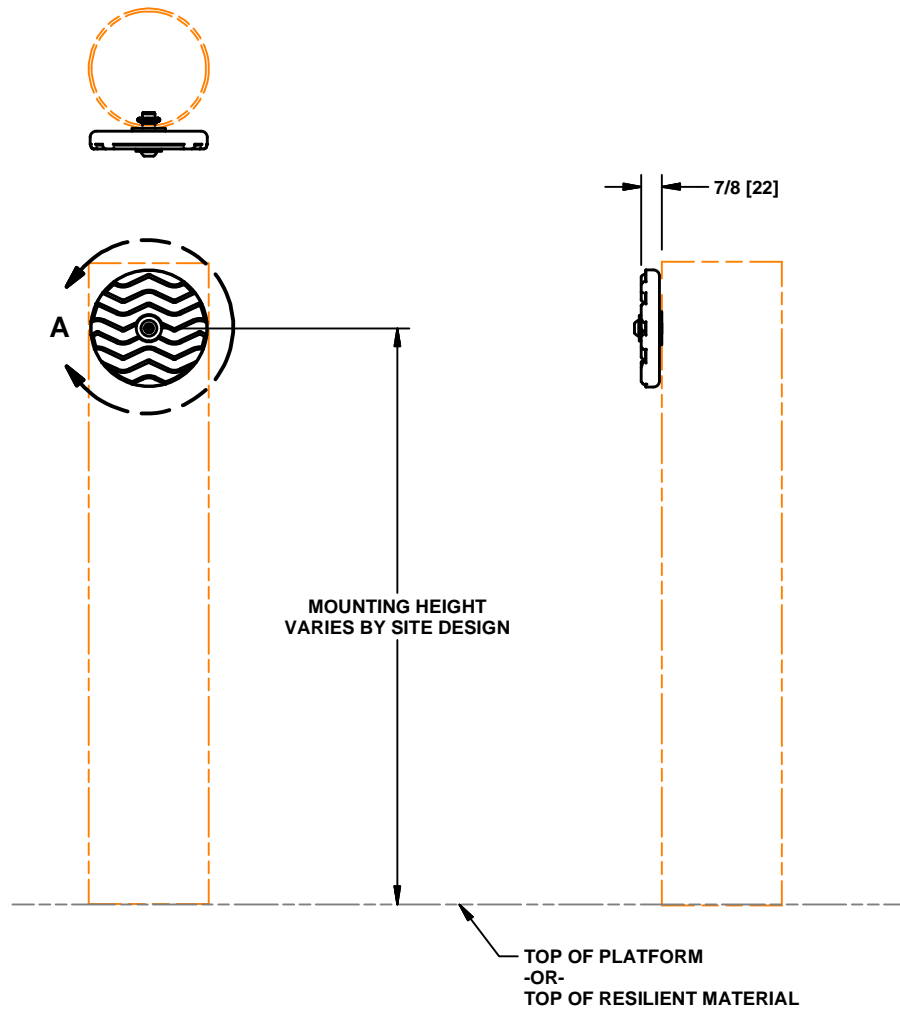
HARDWARE PACKAGE: Stainless steel.

SHIPPING WEIGHT: 1 LBS.

INSTALLATION INSTRUCTIONS

NOTE: Do not tighten hardware until instructed to do so.

1. Attach SPOKES SPINNER to post using hardware specified in DETAIL A.
2. Tighten all hardware.
3. **Install resilient material in accordance to installation guidelines, ASTM standards, and CPSC guidelines.**



570-2726 WAVES POST MOUNTED SPINNER

PARTS LIST

<u>PART NO.</u>	<u>DESCRIPTION</u>	<u>QTY</u>
016-0006	BRONZE BEARING .377" X .75" X .75"	1
018-2526	WAVES SPINNER	1
036-1532	HARDWARE PACKAGE	1

NOTE: Hardware package(s) may include extra hardware that is not necessary for this installation.

SPECIFICATIONS

BRONZE BEARING .377" X .75" X .75": Oil impregnated bronze.

WAVES SPINNER: 3/4" Co-Extruded HDPE

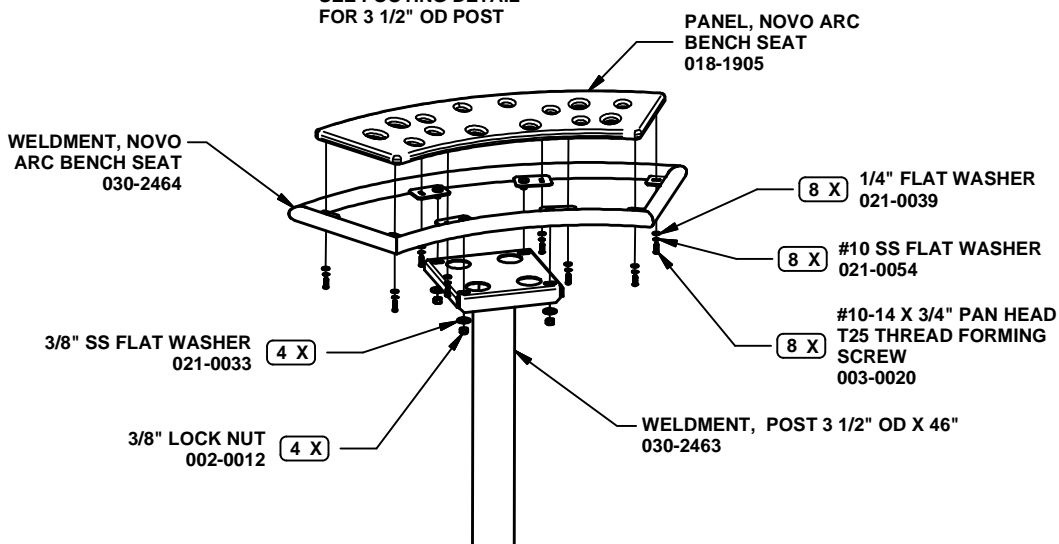
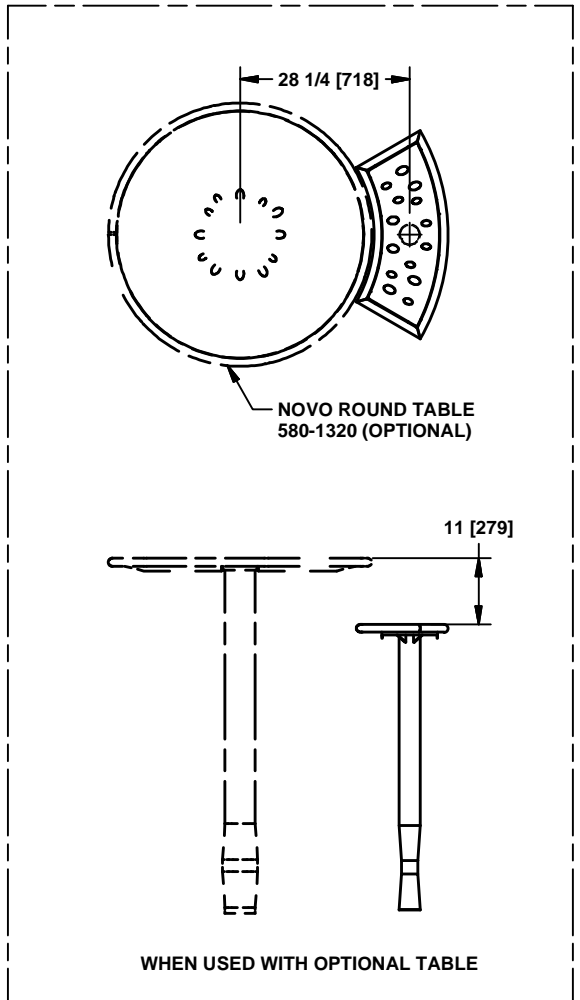
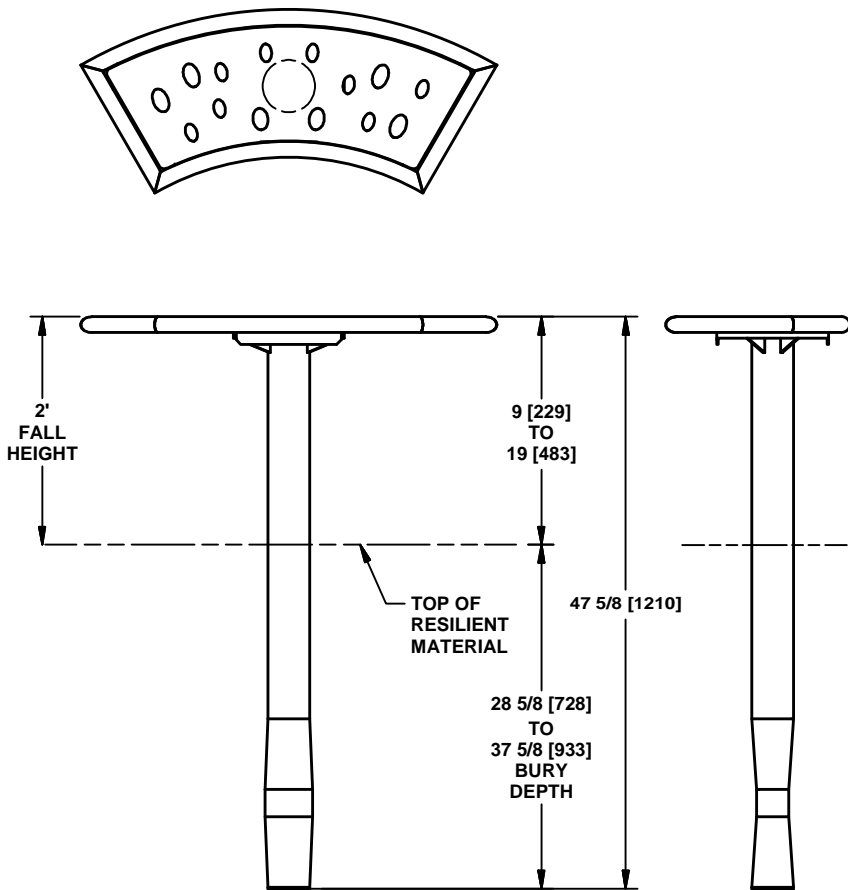
HARDWARE PACKAGE: Stainless steel.

SHIPPING WEIGHT: 1 LBS.

INSTALLATION INSTRUCTIONS

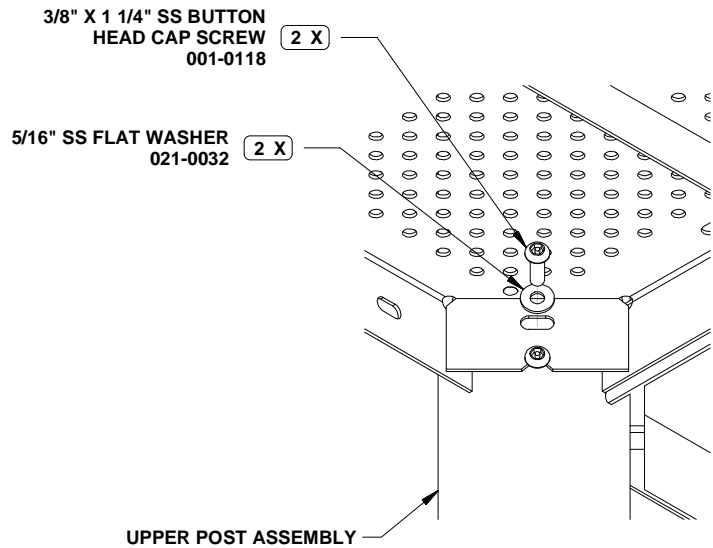
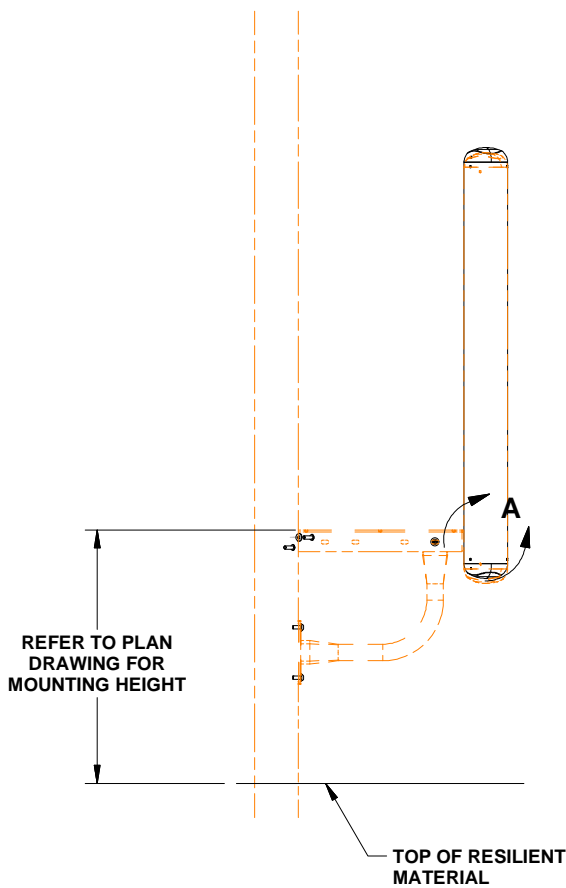
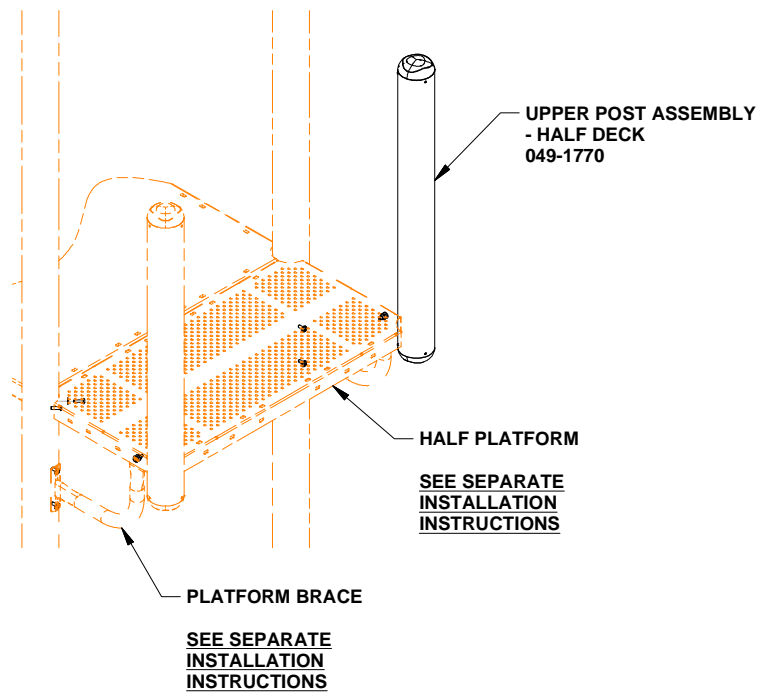
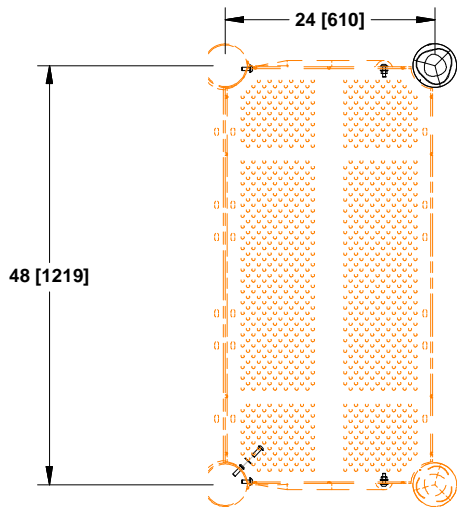
NOTE: Do not tighten hardware until instructed to do so.

1. Attach WAVES SPINNER to post using hardware specified in DETAIL A.
2. Tighten all hardware.
3. **Install resilient material in accordance to installation guidelines, ASTM standards, and CPSC guidelines.**



SEAT ATTACHMENT VIEW

580-1312 NOVO ARC BENCH



DETAIL A

670-0422 HALF DECK UPPER POST 5" OD

PARTS LIST

<u>PART NO.</u>	<u>DESCRIPTION</u>	<u>QTY</u>
036-1207	HARDWARE PACKAGE	1
049-1770	UPPER POST ASSEMBLY - HALF DECK	1

NOTE: Hardware package(s) may include extra hardware that is not necessary for this installation.

SPECIFICATIONS

HARDWARE PACKAGE: Stainless steel

UPPER POST ASSEMBLY - HALF DECK: Assembly consisting of 5" OD x 12 GA galvanized steel tubing, cast aluminum cap, and 1/8" x 15/32" aluminum drive rivets. Tubing and cap finished with a baked on powder coating.

SHIPPING WEIGHT: 26 LBS.

INSTALLATION INSTRUCTIONS

NOTE: PVC coating may need to be removed from mounting holes of parts before installation.

NOTE: Do not tighten hardware until instructed to do so.

1. Determine locations for UPPER POST ASSEMBLY - HALF DECK. Reference structure site plan.
2. Attach Upper Post Assembly to platform using hardware specified in DETAIL A.
3. Tighten all hardware.

Burke®

Order Number

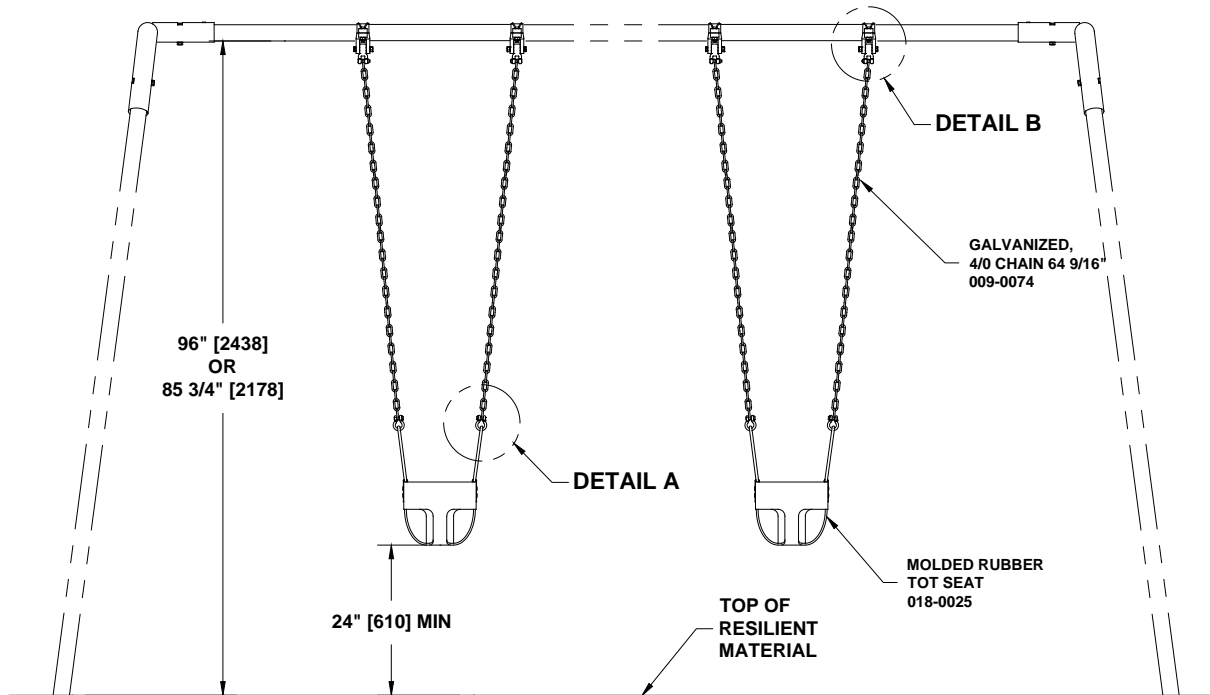
Job Name

Structure Number

GENERAL CONFORMITY CERTIFICATION

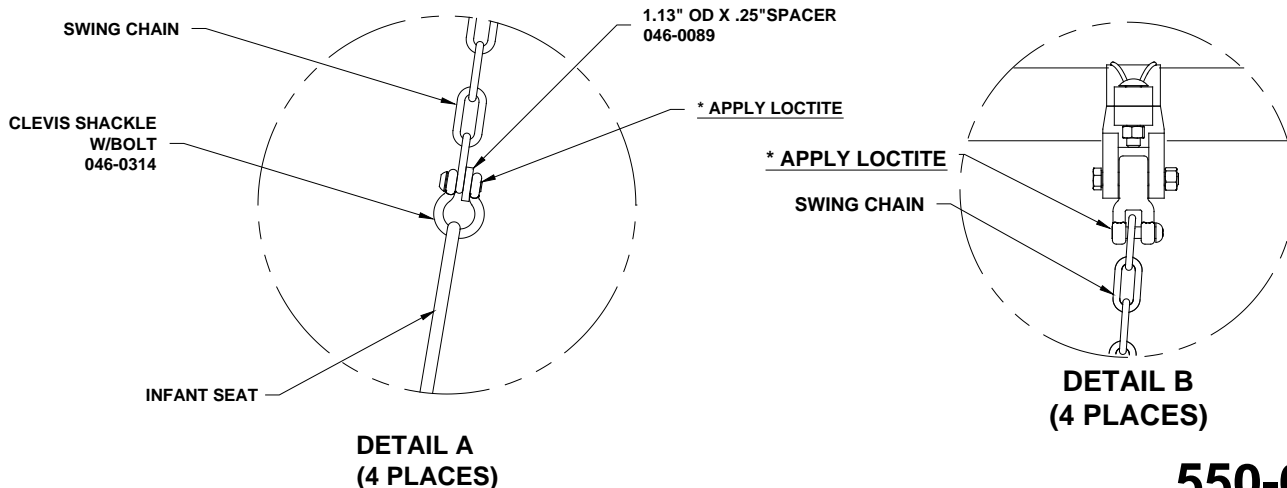
As required by the Consumer Product Safety Improvement Act of 2008, Public Law 110-314 122 Stat. 3016 (August 14, 2008) H.R. 4040

1. This Certification of Compliance covers the playground components sold on Order #____, identified as Proposal #_____.
2. This Certification of Compliance certifies that the products identified in item 1 comply with all rules, bans, standards or regulations applicable to the product under the Consumer Product Safety Improvement Act of 2008; Sections 101, 102, 103 and 108.
3. Manufacturer certifying compliance of the products:
BCI Burke Company, LLC
660 Van Dyne Road
Fond du Lac, WI 54935
(920) 921-9220
4. The contact information for the individual maintaining records of the test results is as follows:
Wayne Orvold
BCI Burke Company, LLC
660 Van Dyne Road
Fond du lac, WI 54935
(920) 921-9220
Worvold@bciburke.com
5. These products were manufactured for shipment on _____.
6. This General Conformity Certification and certification of compliance is based on testing completed through a reasonable testing program (ISO WI 028-08) maintained at the manufacturer listed above.
7. The testing for this certificate was completed at:
Applied Technical Services, Incorporated
1049 Triad Coart
Marietta, GA 30062
(770) 423-1400



SWING SEAT HEIGHT REQUIREMENTS
CUT CHAIN OFF THE TOP,
TO ATTAIN 24" MINIMUM
SEAT HEIGHT, MAKE SURE TO
CUT EQUAL AMOUNTS OFF BOTH CHAINS.

IMPORTANT: APPLY LOCTITE
TO BOLT BEFORE TIGHTENING



550-0100
TOT SEAT, 7' & 8' PAIR, STD CHAIN

PARTS LIST

<u>PART NO.</u>	<u>DESCRIPTION</u>	<u>QTY</u>
009-0074	GALVANIZED, 4/0 CHAIN 64 9/16"	4
018-0025	MOLDED RUBBER TOT SEAT	2
046-0089	SPACER 1.13" OD X .25"	4
046-0291	LOCTITE	1
046-0314	CLEVIS SHACKLE W/BOLT	4

Note: Hardware package(s) may include extra hardware that is not necessary for this installation.

SPECIFICATIONS

GALVANIZED, 4/0 CHAIN 64 9/16": 3/8" diameter, 4/0 straight coil chain.

MOLDED RUBBER TOT SEAT: Molded rubber, reinforced with a steel insert. Riveted galvanized attachment hardware.

SPACER 1.13" OD X .25": 1/4" Nylatron GS.

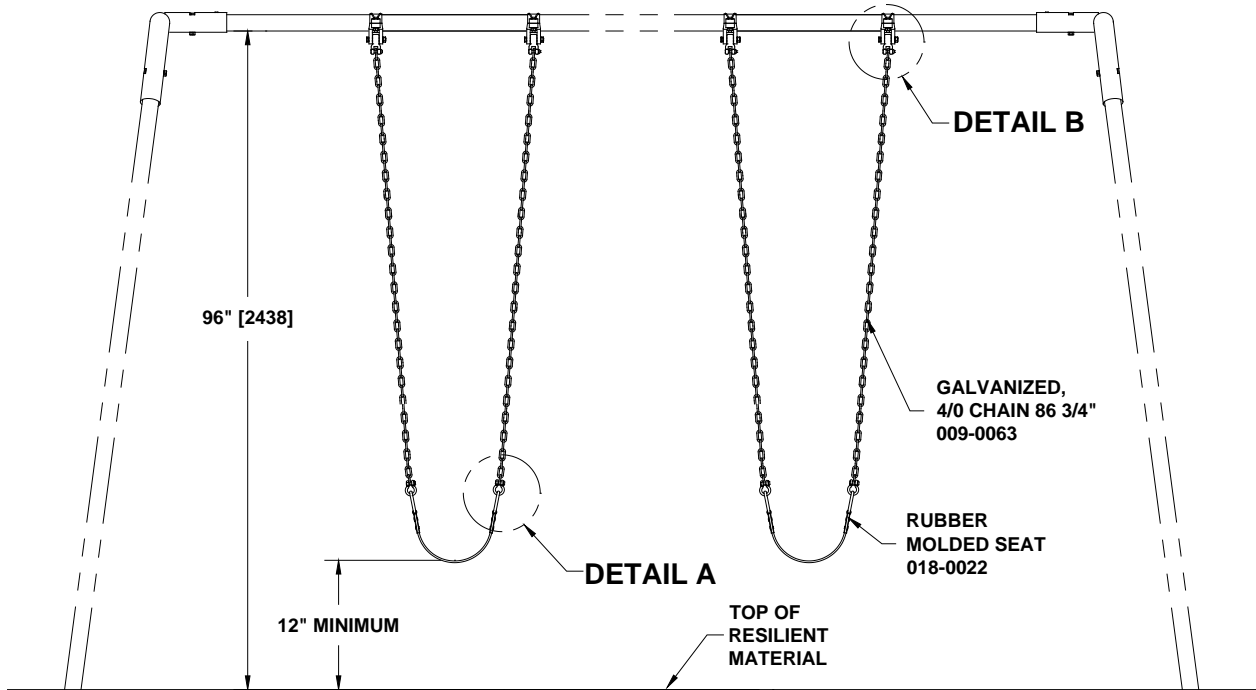
LOCTITE: Thread Locker; CAUTION: May irritate eyes, skin and respiratory system. Contains: polyglycol dimethacrylate, polyglycol oleate propylene glycol, titanium dioxide, and cumene hydroperoxide.

CLEVIS SHACKLE W/BOLT: 5/16" Shackle with a 3/8" X 1 1/2" bolt.

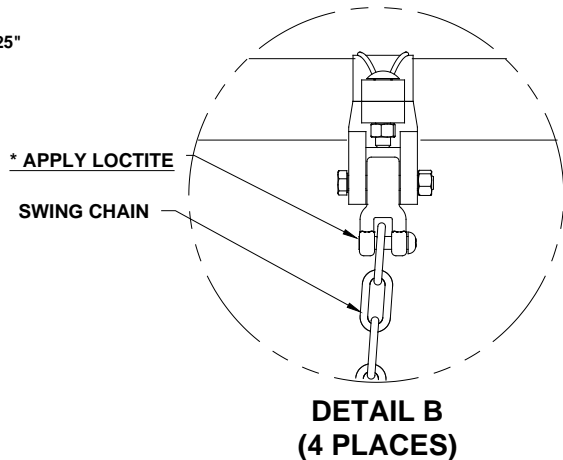
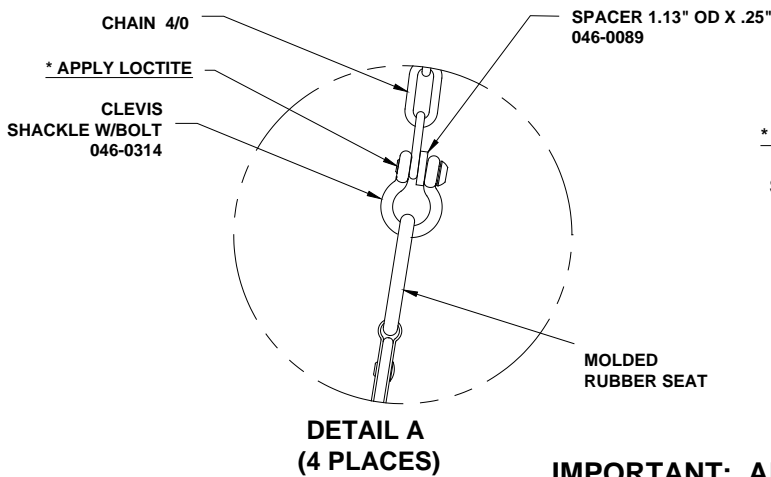
SHIPPING WEIGHT: 24 LBS.

INSTALLATION INSTRUCTIONS

1. Unscrew bolt on swing hanger and attach swing CHAIN 4/0 to swing hanger. Apply LOCTITE to all bolts on hangers before tightening. See DETAIL B.
2. Unscrew bolt in CLEVIS SHACKLE and slide shackles onto both sides of MOLDED RUBBER SEAT. See DETAIL A.
3. Determine what length to cut the chains. Attach the seat to the chains with SPACER and shackle at your desired height. Note there must be a minimum of 24" between the underside of the seat and the top of the resilient material.
4. With the seats at the desired heights and also attaining the 24" minimum clearance, cut and remove the excess chain. Make sure to cut the same length off each chain so that the seat remains level. Apply loctite to all shackle bolts and tighten.
5. **Install resilient material in accordance to installation guidelines, ASTM standards and CPSC guidelines.**



SWING SEAT HEIGHT REQUIREMENTS
CUT CHAIN OFF THE TOP,
TO ATTAIN 12\"/>



IMPORTANT: APPLY LOCTITE
TO END OF BOLTS BEFORE TIGHTENING

550-0112

BELT SEAT, 8' PAIR, STD CHAIN

PARTS LIST

<u>PART NO.</u>	<u>DESCRIPTION</u>	<u>QTY</u>
009-0063	GALVANIZED 4/0 CHAIN 86 3/4"	4
018-0022	MOLDED RUBBER SEAT	2
046-0089	SPACER 1.13" OD X .25"	4
046-0291	LOCTITE	1
046-0314	CLEVIS SHACKLE W/BOLT	4

Note: Hardware package(s) may include extra hardware that is not necessary for this installation.

SPECIFICATIONS

GALVANIZED 4/0 CHAIN 86 3/4": 3/8" diameter, 4/0 straight coil chain.

MOLDED RUBBER SEAT: Molded rubber, reinforced with a steel insert. Riveted galvanized attachment hardware.

SPACER 1.13" OD X .25": 1/4" Nylatron GS.

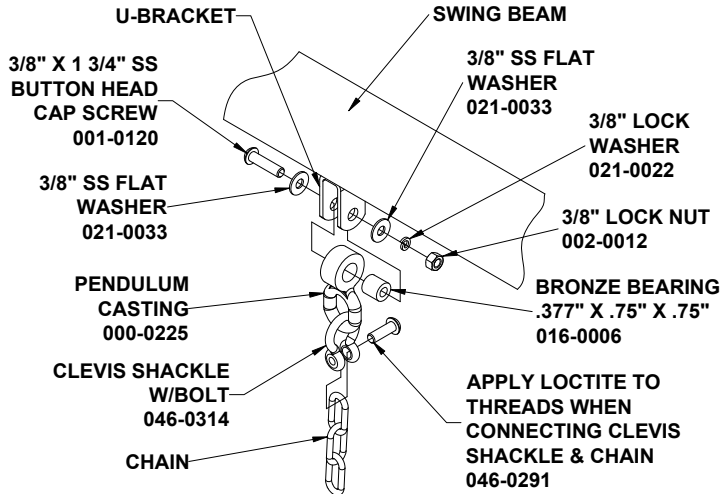
LOCTITE: Thread Locker; CAUTION: May irritate eyes, skin and respiratory system. Contains: polyglycol dimethacrylate, polyglycol oleate propylene glycol, titanium dioxide, and cumene hydroperoxide.

CLEVIS SHACKLE W/BOLT: 5/16" Shackle with a 3/8" X 1 1/2" bolt.

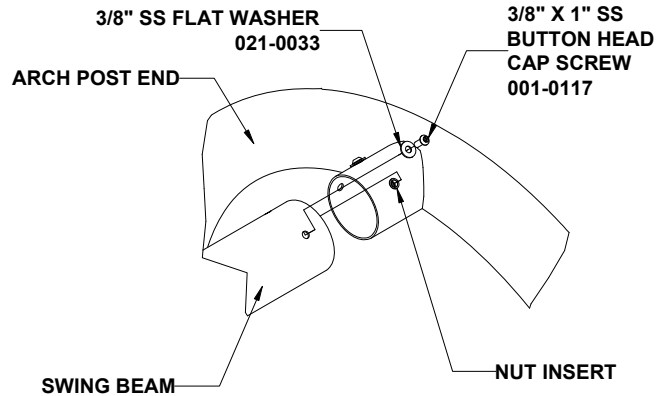
SHIPPING WEIGHT: 20 LBS.

INSTALLATION INSTRUCTIONS

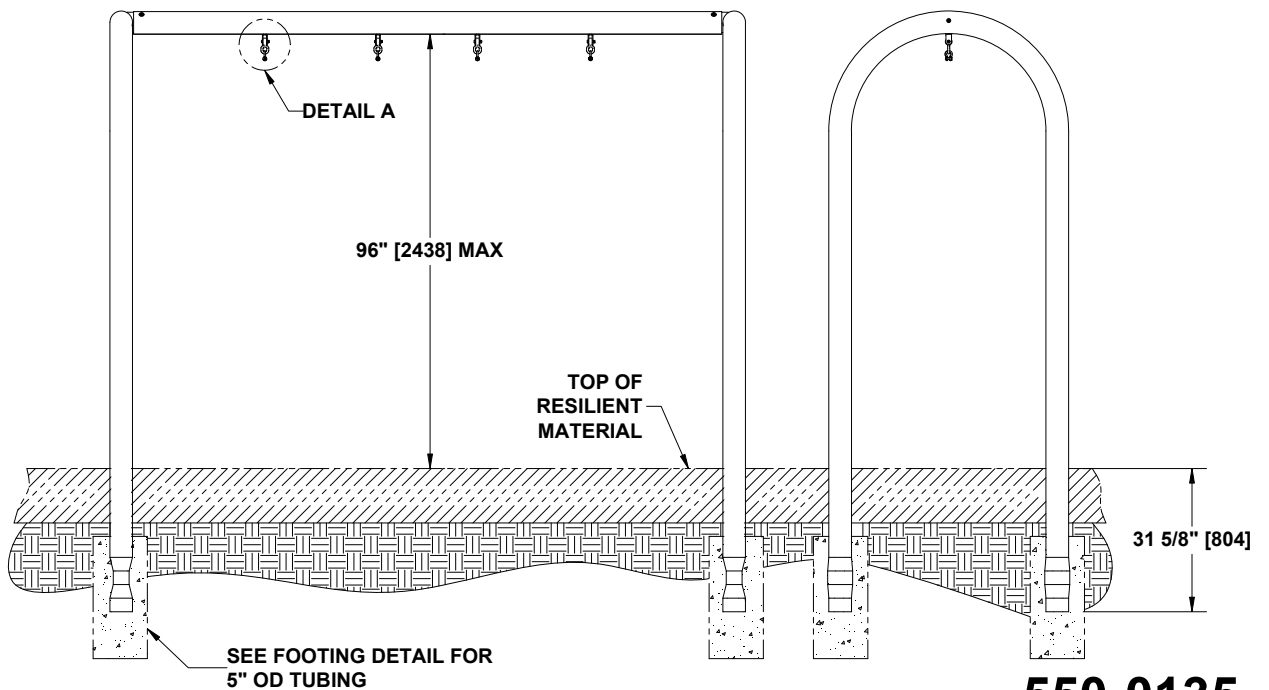
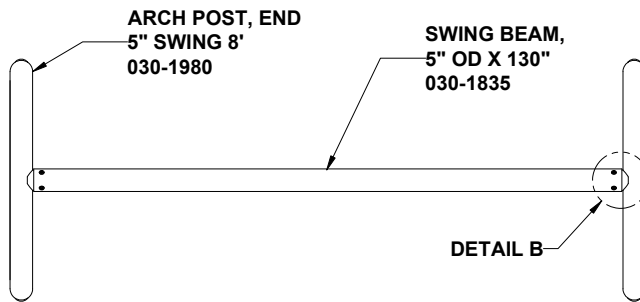
1. Unscrew bolt on swing hanger and attach swing CHAIN 4/0 to swing hanger. Apply LOCTITE to all bolts on hangers before tightening. See DETAIL B.
2. Unscrew bolt in CLEVIS SHACKLE and slide shackles onto both sides of MOLDED RUBBER SEAT. See DETAIL A.
3. Determine what length to cut the chains. Attach the seat to the chains with SPACER and shackle at your desired height. Note there must be a minimum of 12" below the seat between the underside of the seat and the top of the resilient material. When measuring, the seat must be pulled down as if someone were sitting in it and the resilient material must be at it's finished depth.
4. With the seats at the desired heights and also attaining the 12" minimum clearance, cut and remove the excess chain. Make sure to cut the same length off each chain so that the seat remains level. Apply loctite to all shackle bolts and tighten.
5. **Install resilient material in accordance to installation guidelines, ASTM standards and CPSC guidelines.**



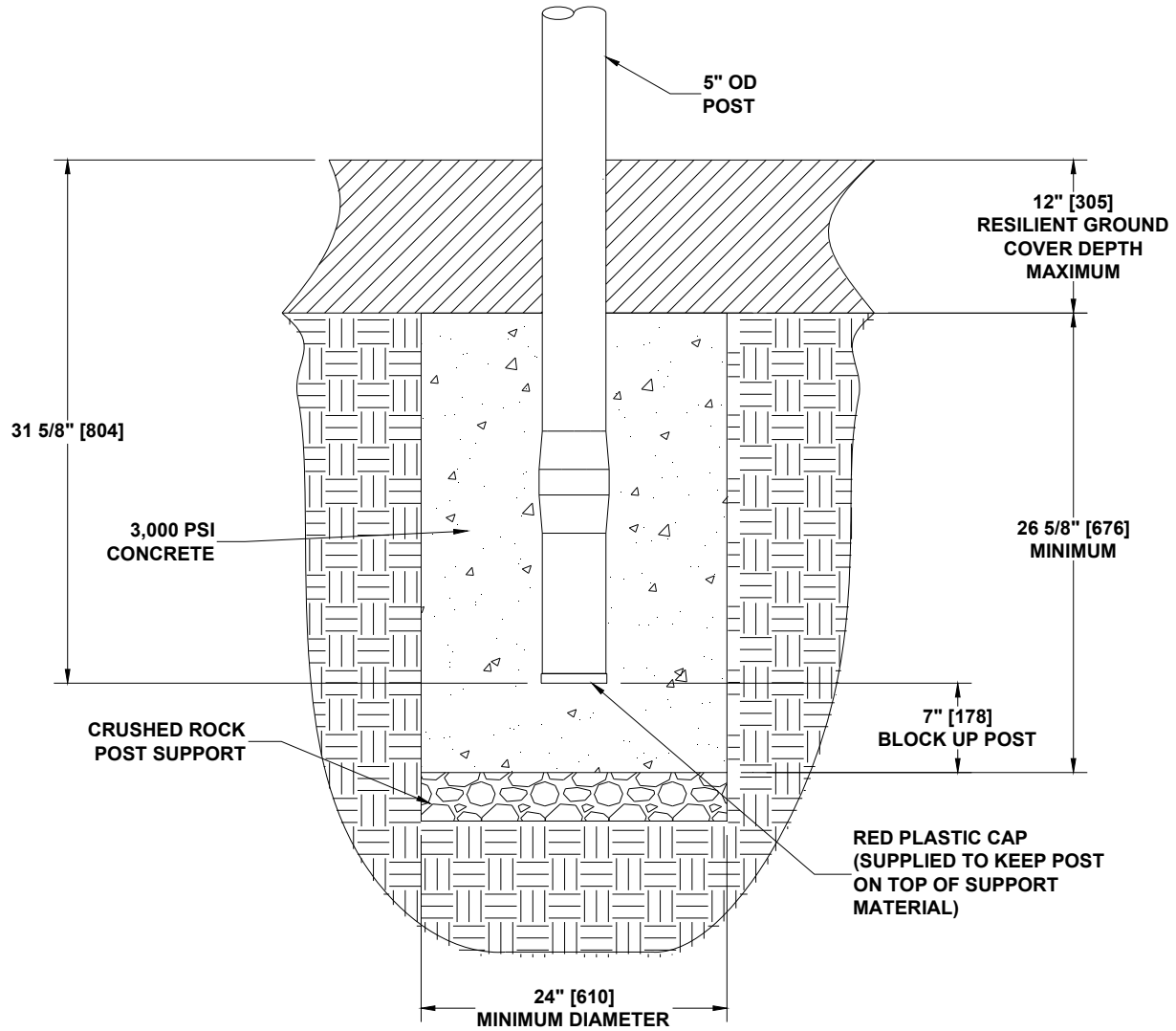
DETAIL A
(4 PLACES)



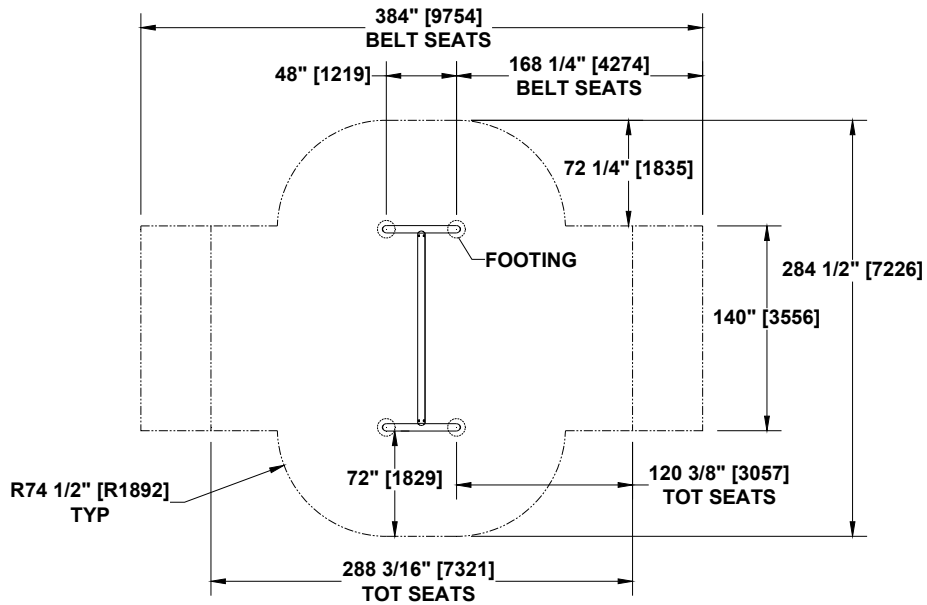
DETAIL B
(2 PLACES)



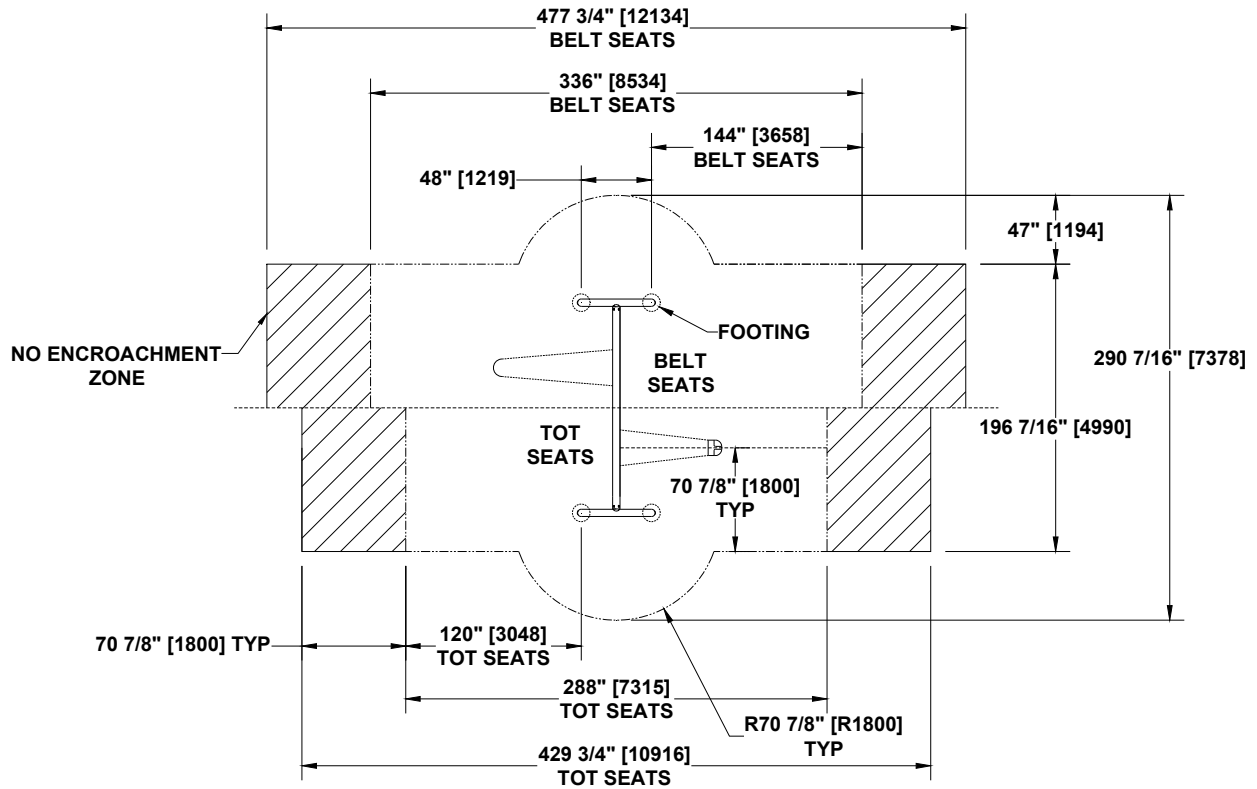
550-0135
5\"/>



550-0135
5" OD ARCH SWING



USA
USE ZONE PER ASTM/CPSC STANDARDS



CANADA
PROTECTIVE SURFACING ZONE PER CSA STANDARDS

550-0135
5" OD ARCH SWING

PARTS LIST

<u>PART NO.</u>	<u>DESCRIPTION</u>	<u>QTY</u>
000-0225	PENDULUM CASTING	4
016-0006	BRONZE BEARING .377" X .75" X .75"	4
030-1835	SWING BEAM, 5" OD X 130"	1
030-1980	ARCH POST END, 5" OD SWING	2
036-0227	HARDWARE PACKAGE	1
036-0788	HARDWARE PACKAGE	2
036-1414	HARDWARE PACKAGE	1
046-0291	LOCTITE	1

Note: Hardware package(s) may include extra hardware that is not necessary for this installation.

SPECIFICATIONS

PENDULUM CASTING: Galvanize plated, grade 32510, malleable iron

BRONZE BEARING .377" X .75" X .75": Oil impregnated, bronze.

SWING BEAM, 5" OD X 130": One piece all welded construction consisting of 5" OD x 11 GA galvanized steel tubing and 8 GA galvanized steel plate. Finished with a baked on powder coating.

ARCH POST END, 5" OD SWING: One piece all welded construction consisting of 5" OD x 11 GA & 11/16" OD low carbon steel bar and 4 1/2" OD x 11 GA steel tubing w/cadmium and yellow chromate plating, and an assembly of 3/8" nut inserts. Finished with a baked on powder coating.

HARDWARE PACKAGE: Stainless steel.

HARDWARE PACKAGE: 5/16" Shackle with a 3/8" X 1 5/32" bolt.

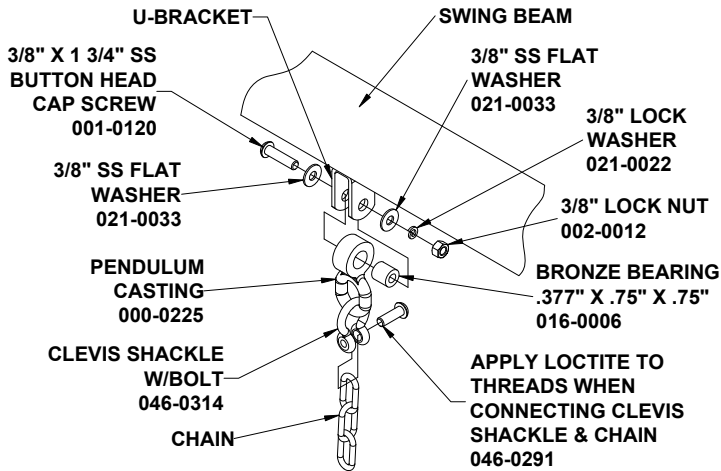
HARDWARE PACKAGE: Stainless steel washers & screws and zinc plated steel lock nuts & washers.

LOCTITE: Thread Locker; CAUTION: May irritate eyes, skin and respiratory system. Contains: polyglycol dimethacrylate, polyglycol oleate propylene glycol, titanium dioxide, and cumene hydroperoxide.

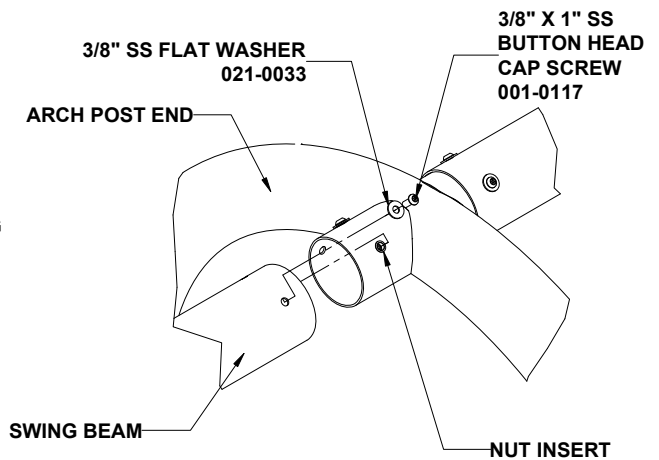
SHIPPING WEIGHT: 367 LBS.

INSTALLATION INSTRUCTIONS

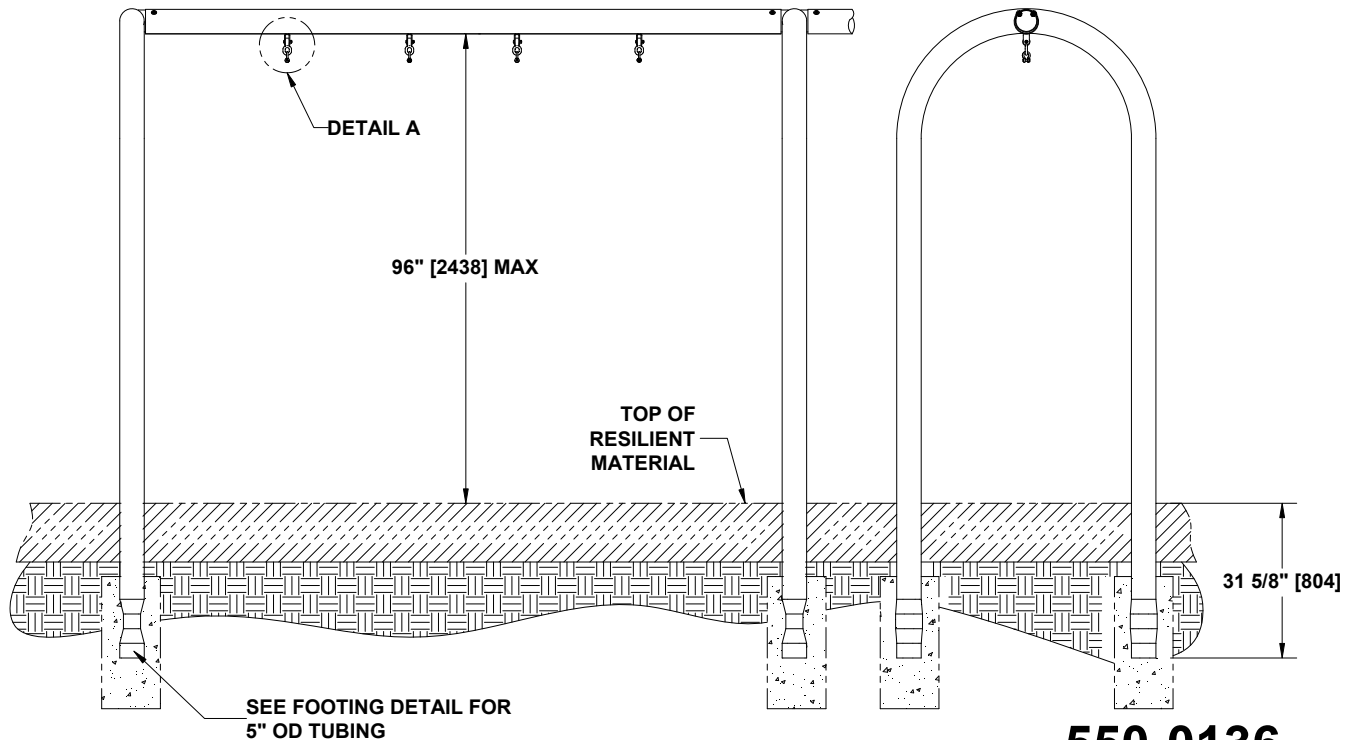
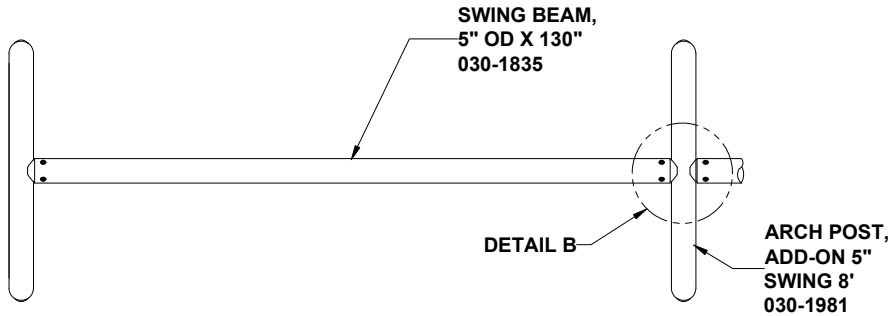
1. Determine 5" OD post locations per dimensions shown.
2. Dig footing holes. See typical concrete footing drawing for 5" OD posts, which is located in the preface of the installation manual.
3. Attach 5" OD x 130" SWING BEAM to both ARCH POST, END 5" OD SWING by sleeving the swing beam over arch post stub and fasten using 3/8" X 1" SS button head cap screws. Tighten hardware. See DETAIL B.
4. Position frame into footing holes. Block up, plumb, and level frame.
5. Pour concrete and allow it to set for 2 to 3 days.
6. Insert BRONZE BEARING .377" X .75" X .75" into PENDULUMS and attach to swing beam as shown in DETAIL A. Tighten hardware.
7. Attach swing chain to pendulum using CLEVIS SHACKLE W/ BOLT. Tighten hardware. See DETAIL A.
8. **INSTALL RESILIENT SURFACING MATERIAL.**



**DETAIL A
(4 PLACES)**

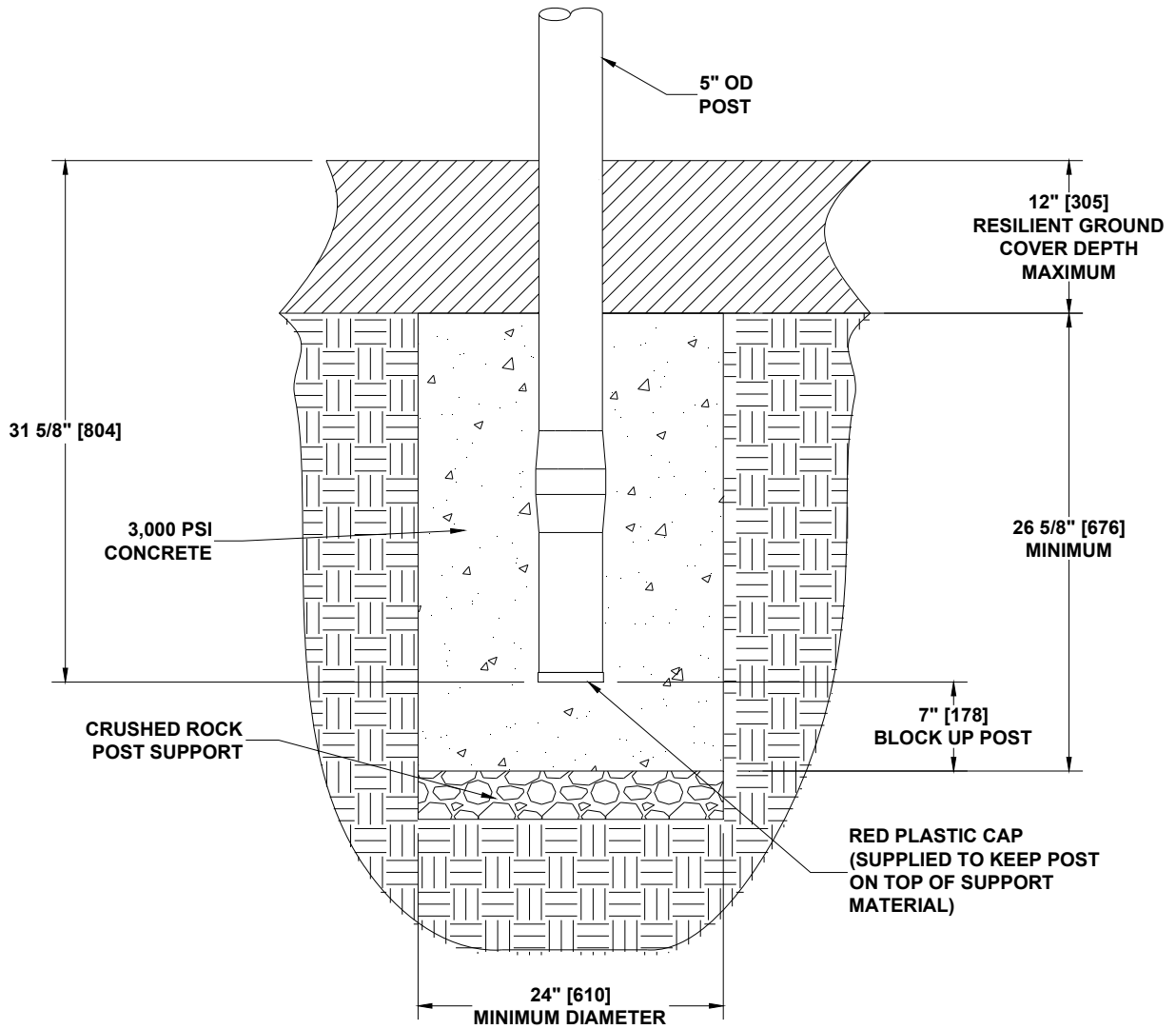


**DETAIL B
(2 PLACES)**

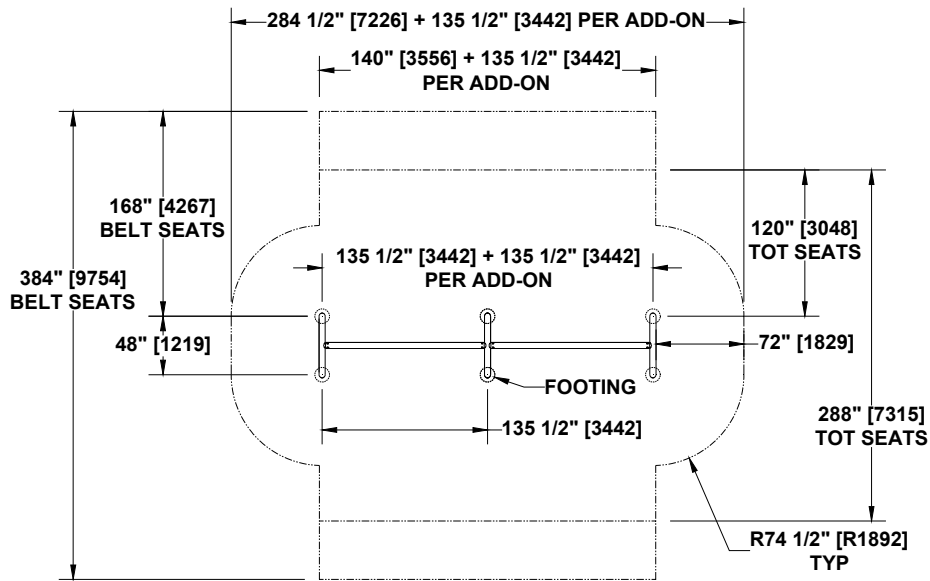


550-0136

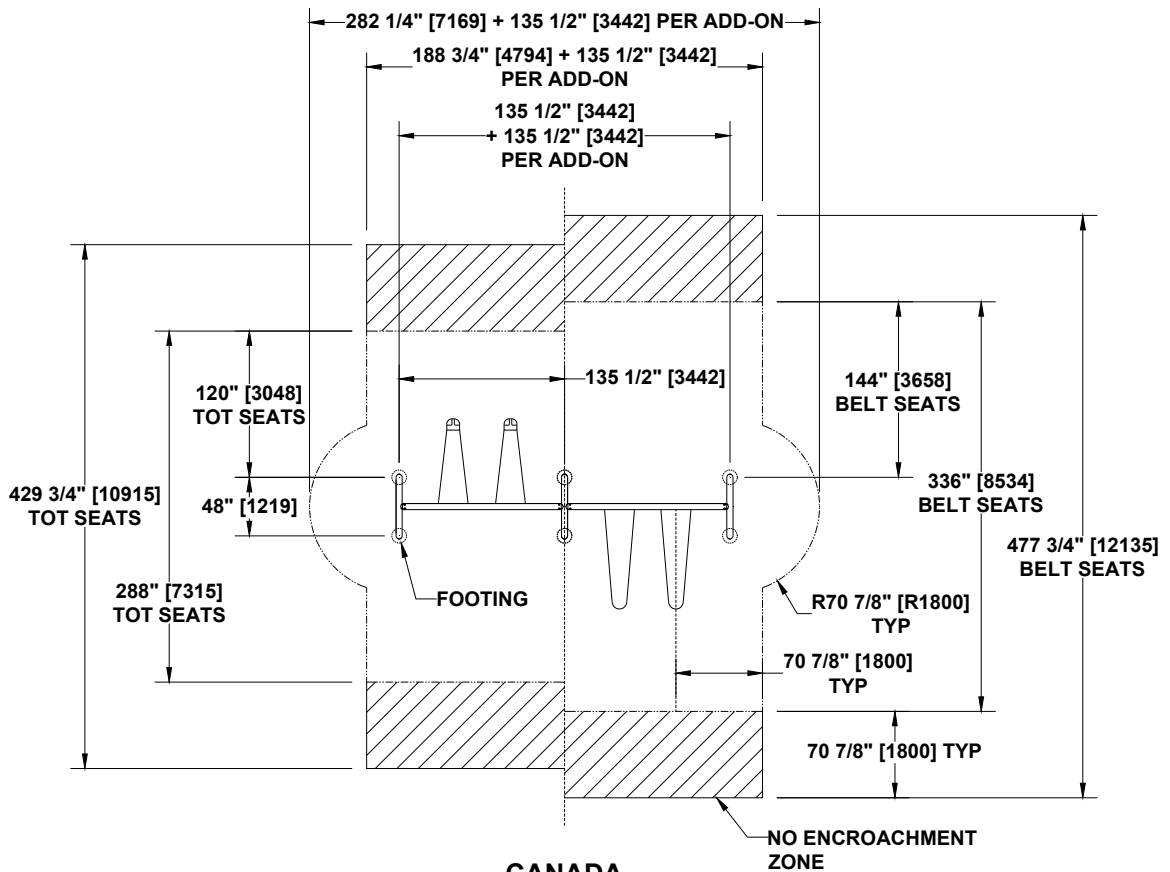
5\"/>



550-0136 5" OD ARCH SWING ADD-ON



USA
USE ZONE PER ASTM/CPSC STANDARDS



CANADA
PROTECTIVE SURFACING ZONE PER CSA STANDARDS

550-0136
5" OD ARCH SWING ADD-ON

PARTS LIST

<u>PART NO.</u>	<u>DESCRIPTION</u>	<u>QTY</u>
000-0225	PENDULUM CASTING	4
016-0006	BRONZE BEARING .377" X .75" X .75"	4
030-1835	SWING BEAM, 5" OD X 130"	1
030-1981	ARCH POST, ADD-ON 5" OD SWING	1
036-0227	HARDWARE PACKAGE	1
036-0788	HARDWARE PACKAGE	2
036-1414	HARDWARE PACKAGE	1
046-0291	LOCTITE	1

Note: Hardware package(s) may include extra hardware that is not necessary for this installation.

SPECIFICATIONS

PENDULUM CASTING: Galvanize plated, grade 32510, malleable iron

BRONZE BEARING .377" X .75" X .75": Oil impregnated, bronze.

SWING BEAM, 5" OD X 130": One piece all welded construction consisting of 5" OD x 11 GA galvanized steel tubing and 8 GA galvanized steel plate. Finished with a baked on powder coating.

ARCH POST, ADD-ON 5" OD SWING: One piece all welded construction consisting of 5" OD x 11 GA & 3/8" Schedule 40 galvanized steel pipe and 4 1/2" OD x 11 GA steel tubing w/cadmium and yellow chromate plating, and an assembly of 3/8" nut inserts. Finished with a baked on powder coating.

HARDWARE PACKAGE: Stainless steel.

HARDWARE PACKAGE: 5/16" Shackle with a 3/8" X 1 5/32" bolt.

HARDWARE PACKAGE: Stainless steel washers & screws and zinc plated steel lock nuts & washers.

LOCTITE: Thread Locker; **CAUTION**: May irritate eyes, skin and respiratory system. Contains: polyglycol dimethacrylate, polyglycol oleate propylene glycol, titanium dioxide, and cumene hydroperoxide.

SHIPPING WEIGHT: 224 LBS.

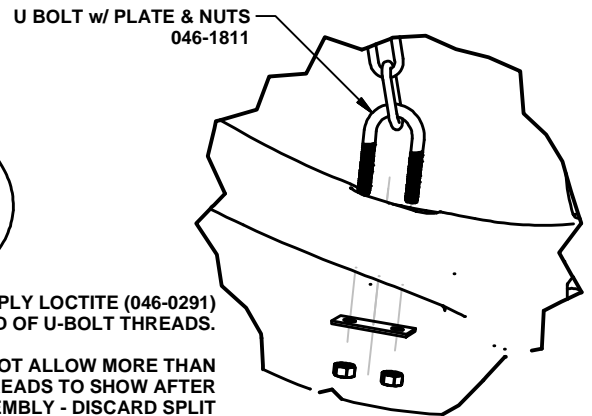
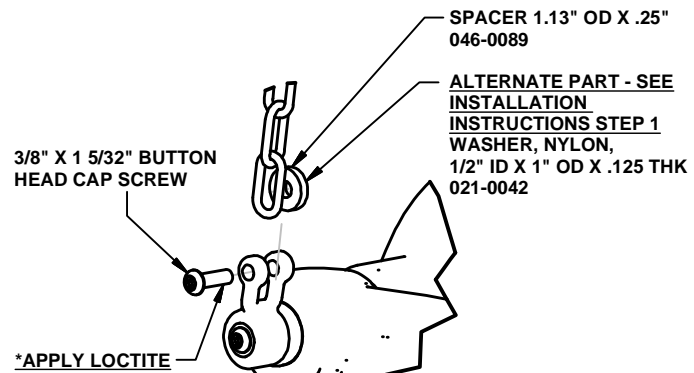
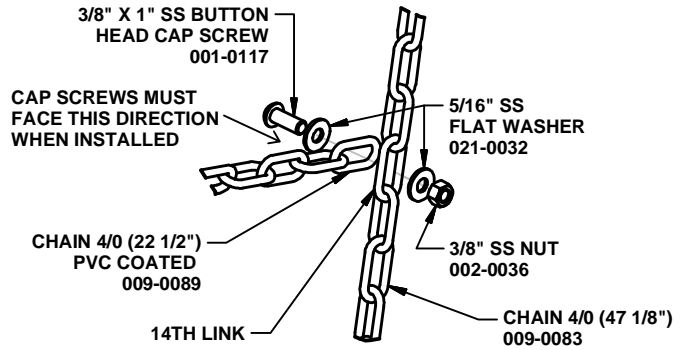
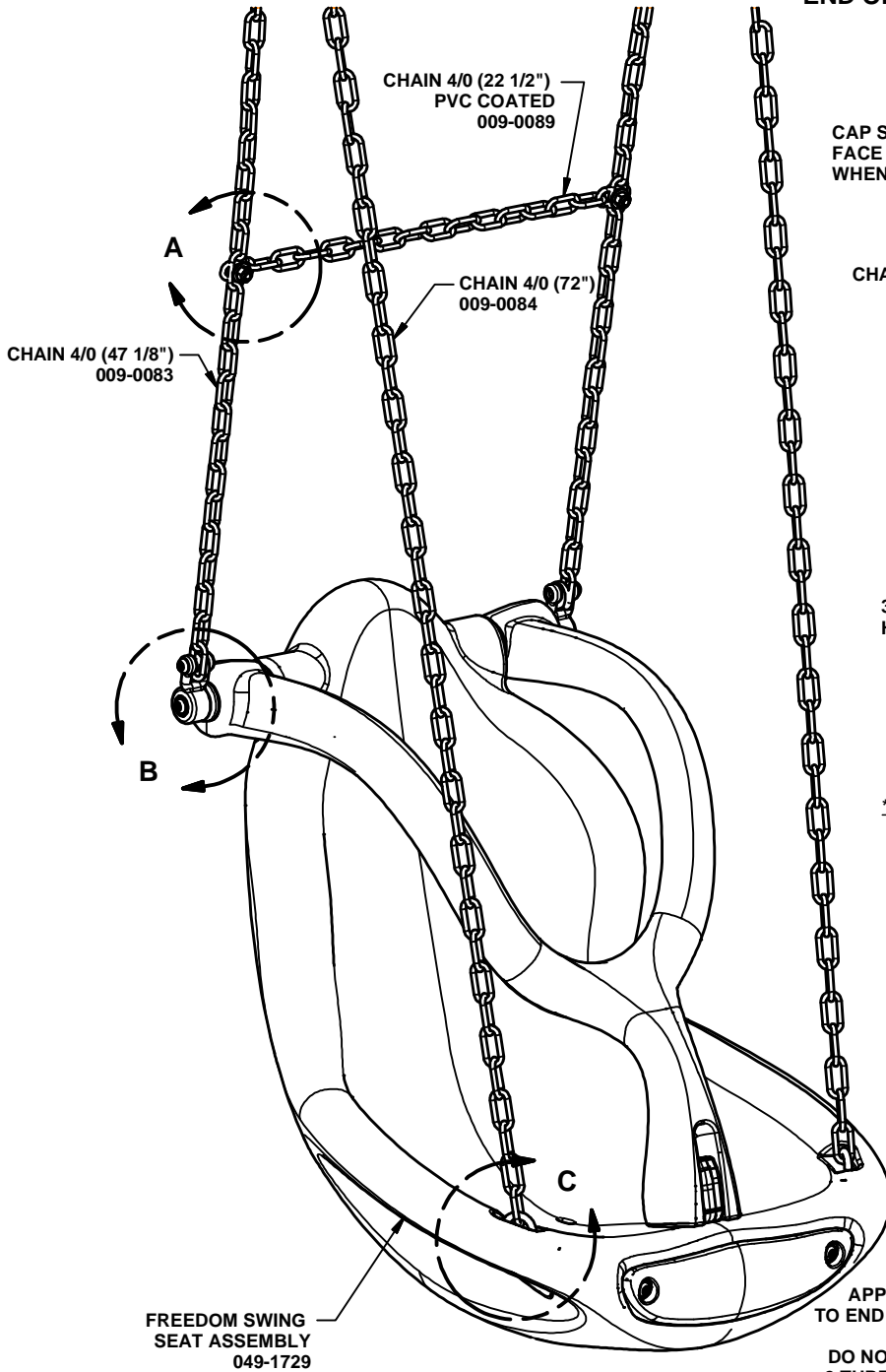
INSTALLATION INSTRUCTIONS

1. Determine 5" OD post locations per dimensions shown.
2. Dig footing holes. See typical concrete footing drawing for 5" OD posts, which is located in the preface of the installation manual.
3. Attach 5" OD x 130" SWING BEAM to arch post end and ARCH POST, ADD-ON 5" SWING 8' by sleeving the swing beam over arch post and fasten using 3/8" X 1" SS button head cap screws. Tighten the hardware. See DETAIL B.
4. Position frame into footing holes. Block up, plumb, and level frame.
5. Pour concrete and allow it to set for 2 to 3 days.
6. Insert BRONZE BEARING .377" X .75" X .75" into PENDULUMS and attach to swing beam as shown in DETAIL A. Tighten hardware.
7. Attach swing chain to pendulum using CLEVIS SHACKLE W/ BOLT. Tighten hardware. See DETAIL A.
8. **INSTALL RESILIENT SURFACING MATERIAL.**



UNLESS OTHERWISE SPECIFIED, ALL DIMENSIONS ARE INCHES WITH MILLIMETER EQUIVALENT INSIDE [] BRACKETS.

***IMPORTANT: APPLY LOCTITE TO END OF BOLTS BEFORE TIGHTENING**



CHAIN PART NUMBER GUIDE		
CHAIN DESCRIPTION	REAR CHAIN PART #	FRONT CHAIN PART #
7' BEAM, GALVANIZED CHAIN	009-0083	009-0084
8' BEAM, GALVANIZED CHAIN	009-0083	009-0084

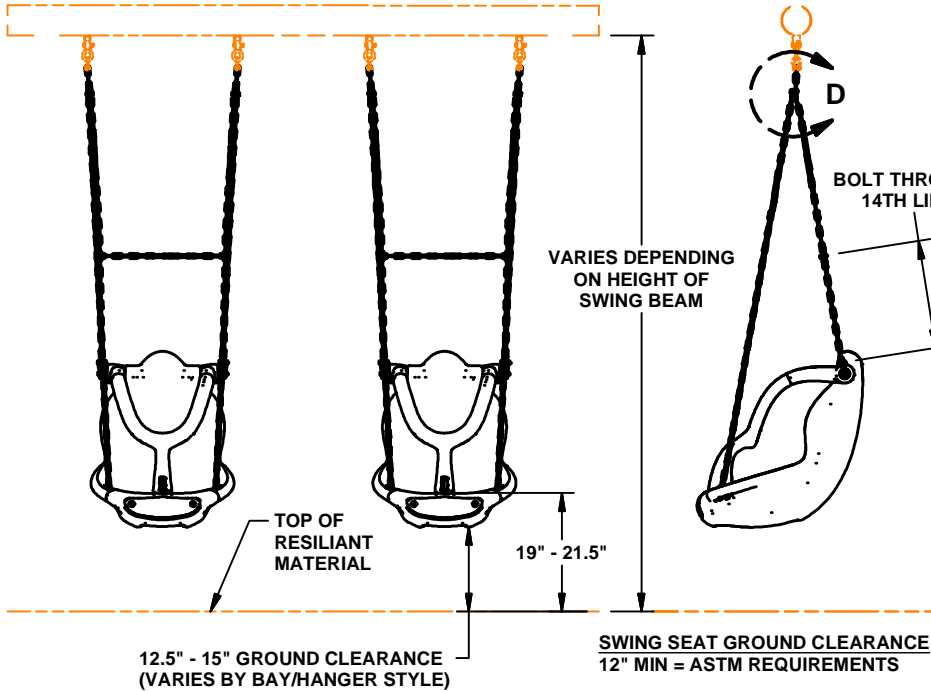
**DETAIL C (2 PLACES)
FRONT LONG CHAIN ATTACHMENT**

550-0175 FREEDOM SWING SEAT, PAIR, 8' BEAM, STD CHAIN

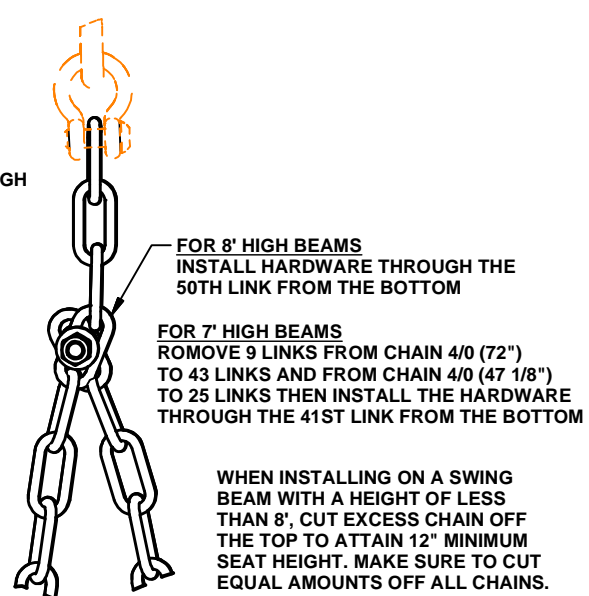


UNLESS OTHERWISE SPECIFIED, ALL DIMENSIONS ARE INCHES WITH MILLIMETER EQUIVALENT INSIDE [] BRACKETS.

ELEVATION

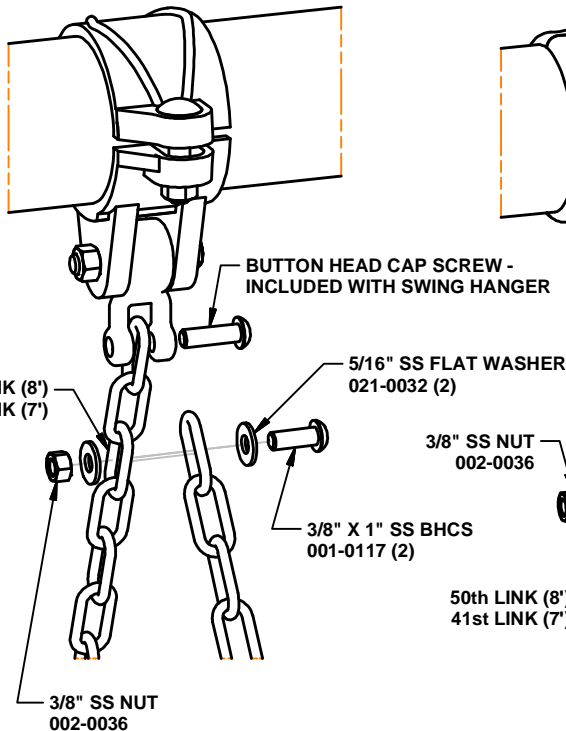


DETAIL D

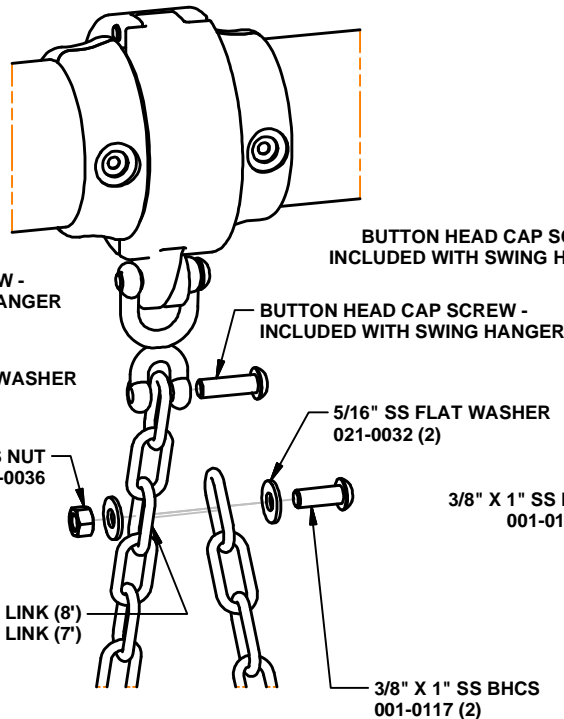


SWING HANGER STYLE GUIDE

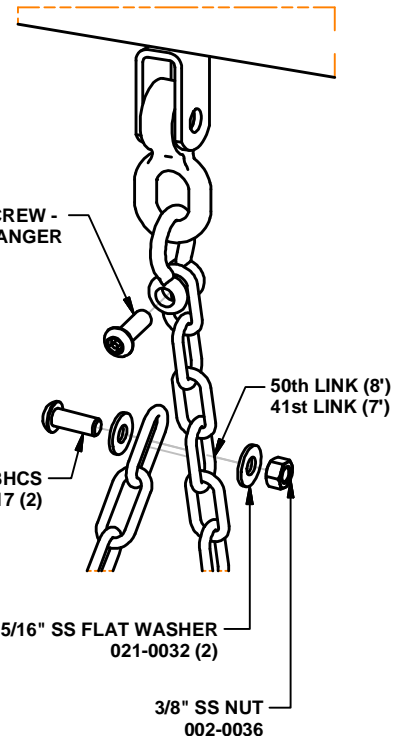
CHAIN INTERSECTION @ 50 LINKS FROM BOTTOM OF CHAIN 4/0 (72")



CHAIN INTERSECTION @ 50 LINKS FROM BOTTOM OF CHAIN 4/0 (72")



CHAIN INTERSECTION @ 50 LINKS FROM BOTTOM OF CHAIN 4/0 (72")



550-0175

FREEDOM SWING SEAT, PAIR, 8' BEAM, STD CHAIN

PARTS LIST

PART NO.	DESCRIPTION	QTY
009-0083	CHAIN 4/0 (47 1/8")	4
009-0084	CHAIN 4/0 (72")	4
009-0089	CHAIN 4/0 (22 1/2") PVC COATED	2
036-0870	HARWARE PACK	2
046-0089	SPACER 1.13" OD X .25"	4
046-0291	LOCTITE	1
046-1811	U BOLT w/ PLATE & NUTS, 5/16"-18	4
049-1729	SWING SEAT ASSEMBLY	2

NOTE: Hardware package(s) may include extra hardware that is not necessary for this installation.

SPECIFICATIONS

CHAIN 4/0 (47 1/8"): 3/8" diameter, 4/0 straight coil chain.

CHAIN 4/0 (72"): 3/8" diameter, 4/0 straight coil chain.

CHAIN 4/0 (22 1/2"): 3/8" diameter, 4/0 straight coil chain. PVC coated after fabrication.

HARDWARE PACK: Stainless steel screws, washers & nuts, nylon washers and zinc plated steel lock washer.

SPACER 1.13" OD X .25": 1/4" Nylatron GS.

LOCTITE: Thread Locker; **CAUTION:** May irritate eyes, skin and respiratory system. Contains: polyglycol dimethacrylate, polyglycol oleate propylene glycol, titanium dioxide, and cumene hydroperoxide.

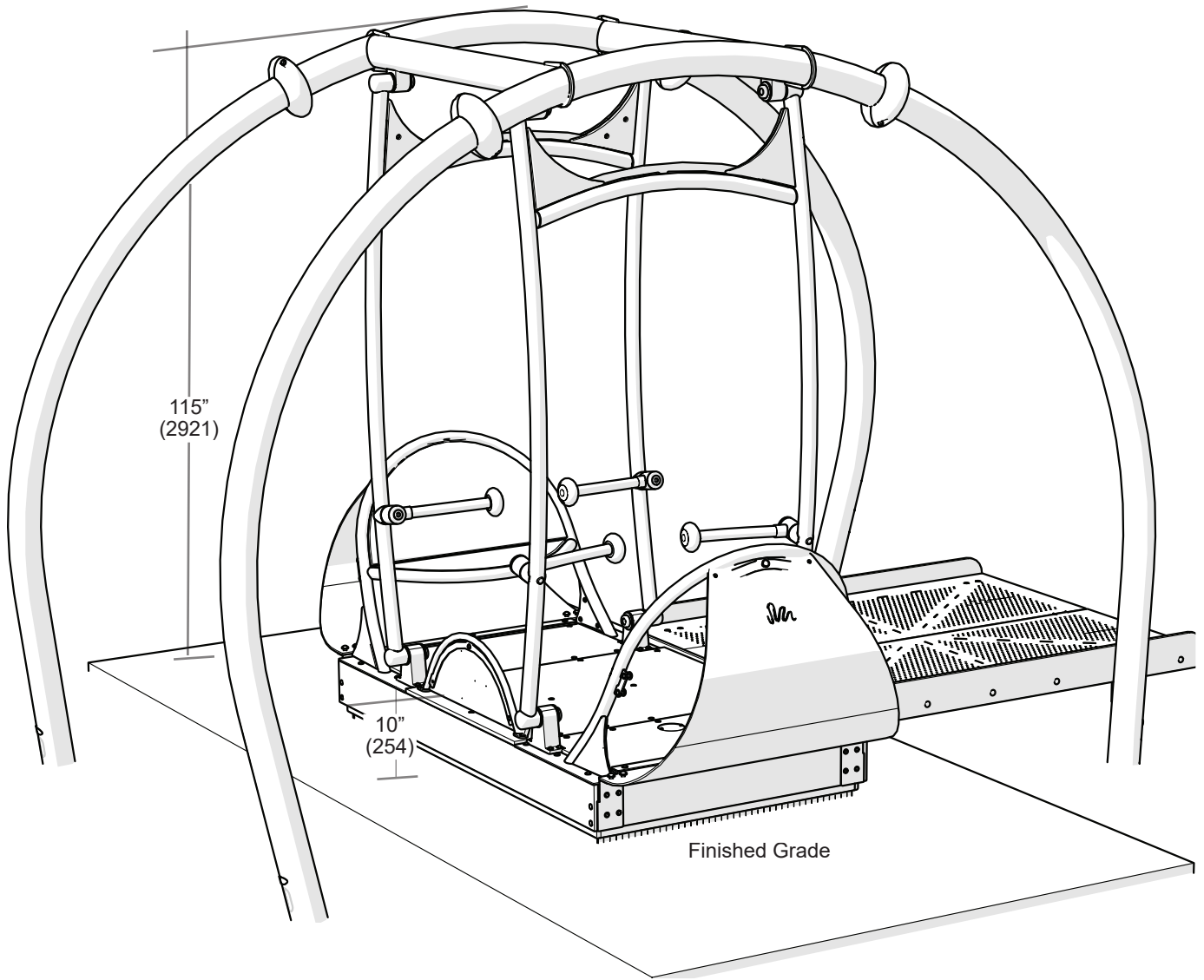
U BOLT w/ PLATE & NUTS, 5/16"-18: Stainless steel hardware

FREEDOM SWING SEAT ASSEMBLY: Seat with harness made of 1/4" thick, linear, low density, rotationally molded, U.V. stabilized polyethylene with double wall construction, molded in 3/8" T-nut inserts and a textured surface assembled together using an aluminium rod, stainless steel hardware, shims, springs, pins & standoffs along with a rubber bumper.

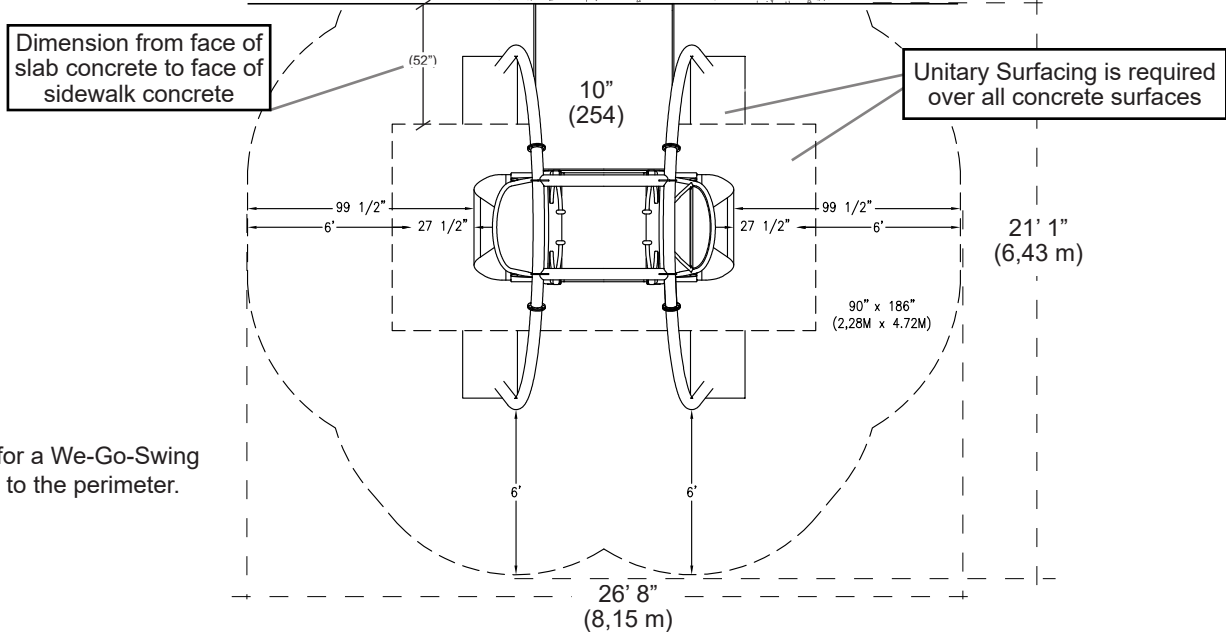
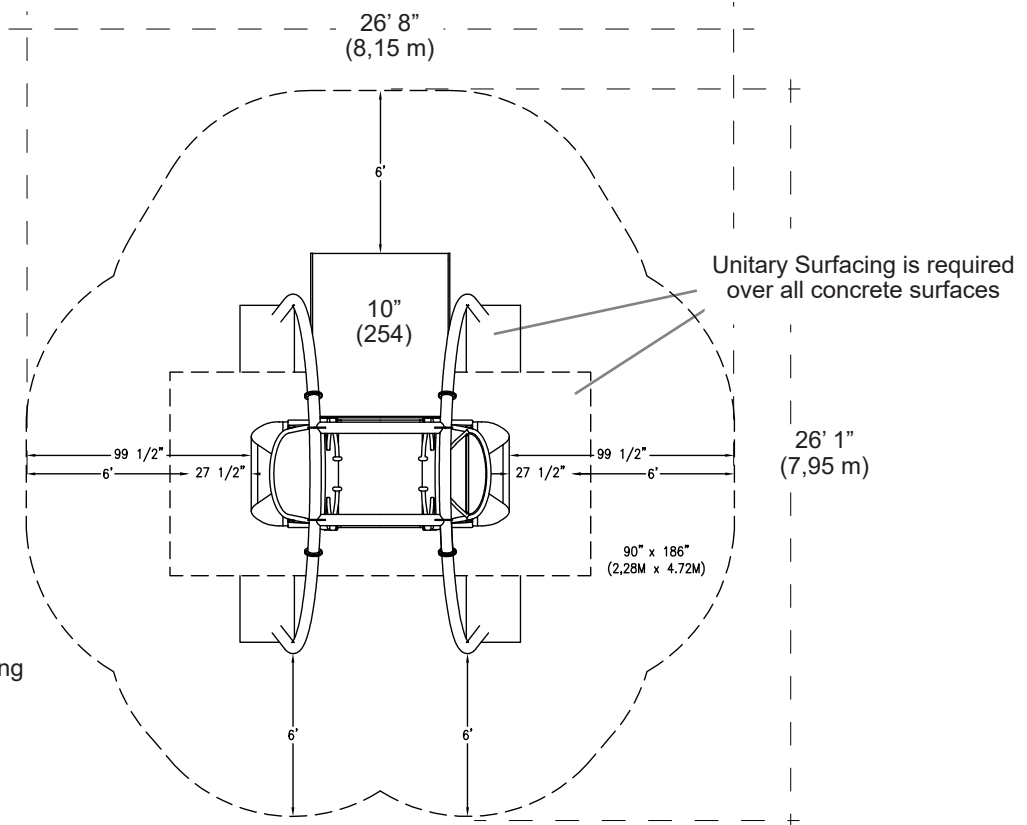
SHIPPING WEIGHT: 76 LBS.

INSTALLATION INSTRUCTIONS

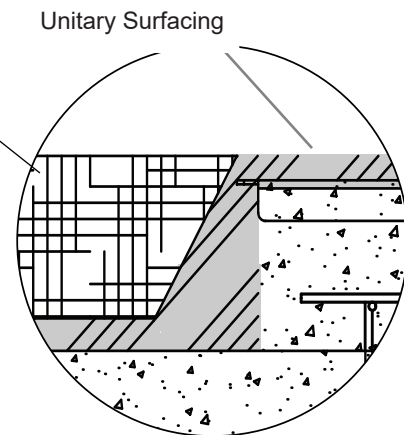
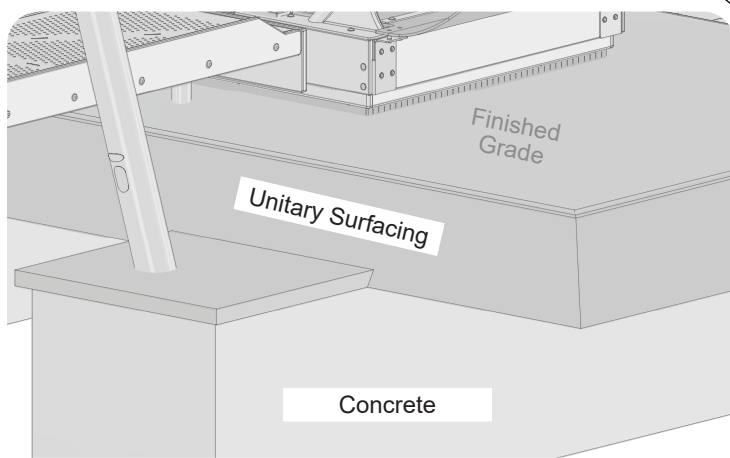
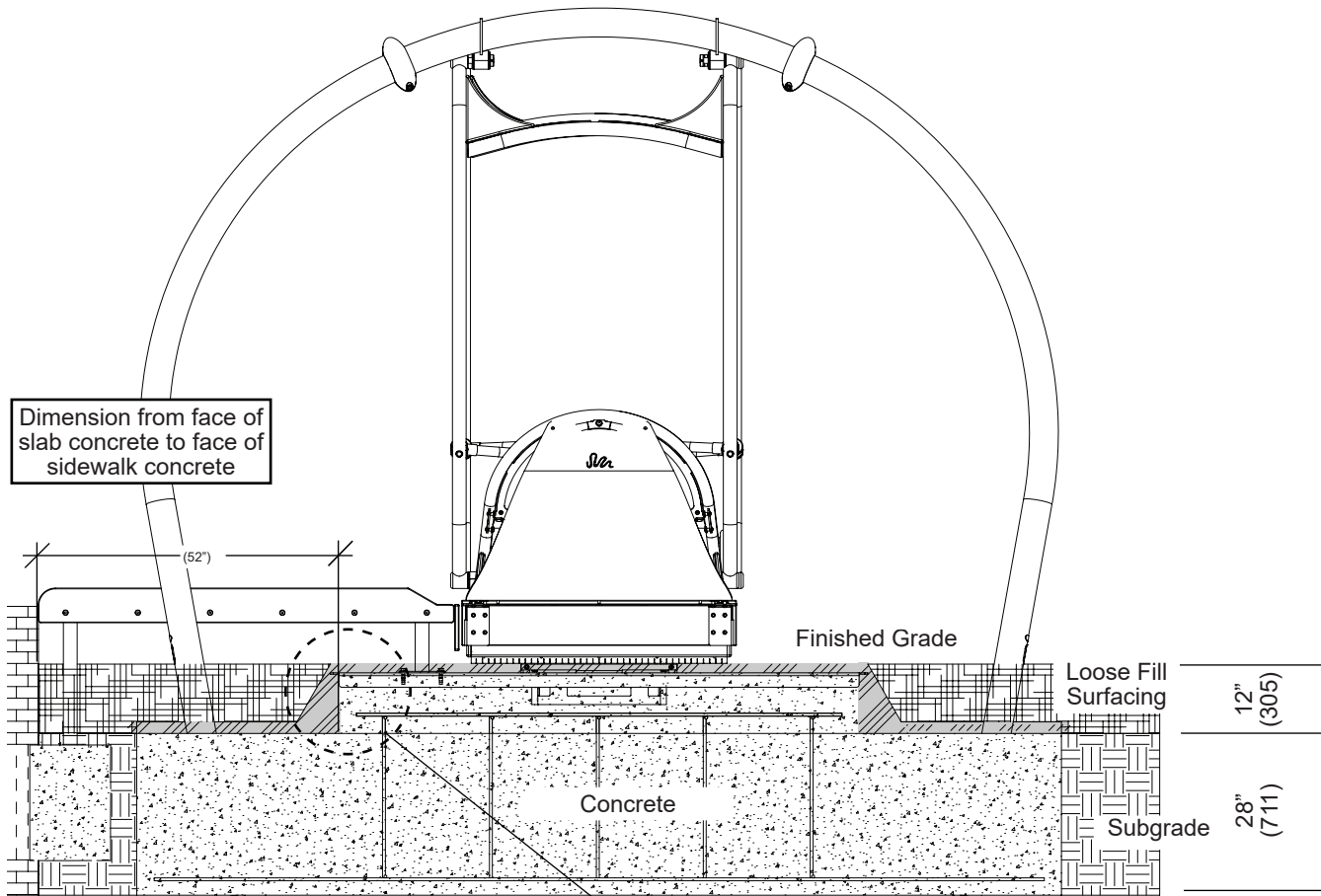
1. Unscrew cap screw from the rear attachment hanger on the swing. Connect CHAIN 4/0 (47 1/8") to the FREEDOM SWING SEAT using the hardware shown in DETAIL B. Ensure the SPACER is installed inboard of the chains when making this attachment. Apply loctite to all shackle bolts and tighten. **NOTE: IF SPACER 1.13" OD X .25" DOESN'T FIT IN OPENING WITH CHAIN USE WASHER, NYLON, 1/2" ID X 1" OD X .125 THK IN ITS PLACE.**
2. Attach the CHAIN 4/0 (72") to the FREEDOM SWING SEAT using the hardware shown in DETAIL C. Attach CHAIN 4/0 (72") to U-bolt and gently tap the U-BOLT through the FREEDOM SWING SEAT only until you are able to install the U-BOLT PLATE and NUTS (discard lock washers - not needed). Loctite must be applied to the U-bolt threads prior to installing the NUTS. Tighten the nuts on the underside of the U-BOLT PLATE until no more than 2 threads are visible on the U-bolt.
3. Attach CHAIN 4/0 (72") to swing hangers as shown in SWING HANGER STYLE GUIDE.
4. Attach CHAIN 4/0 (47 1/8") to the 50th link in CHAIN 4/0 (72") using the hardware shown in the SWING HANGER STYLE GUIDE. If installing on a beam lower than 8' refer to DETAIL D for special chain trimming instructions.
5. Attach CHAIN 4/0 (22 1/2") to CHAIN 4/0 (47 1/8") using the hardware shown in DETAIL A. CHAIN 4/0 (22 1/2") must be installed through the 14th link from the bottom of CHAIN 4/0 (47 1/8"). Threads must also face inward/downward as shown in DETAIL A.
6. Repeat steps 1-5 for the second seat.
7. Install resilient surfacing material in accordance to installation guidelines, ASTM standards and CPSC guidelines.



SITE LAYOUT

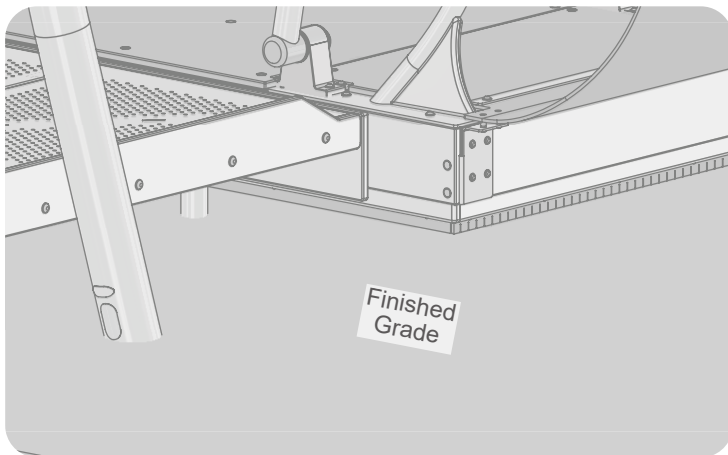
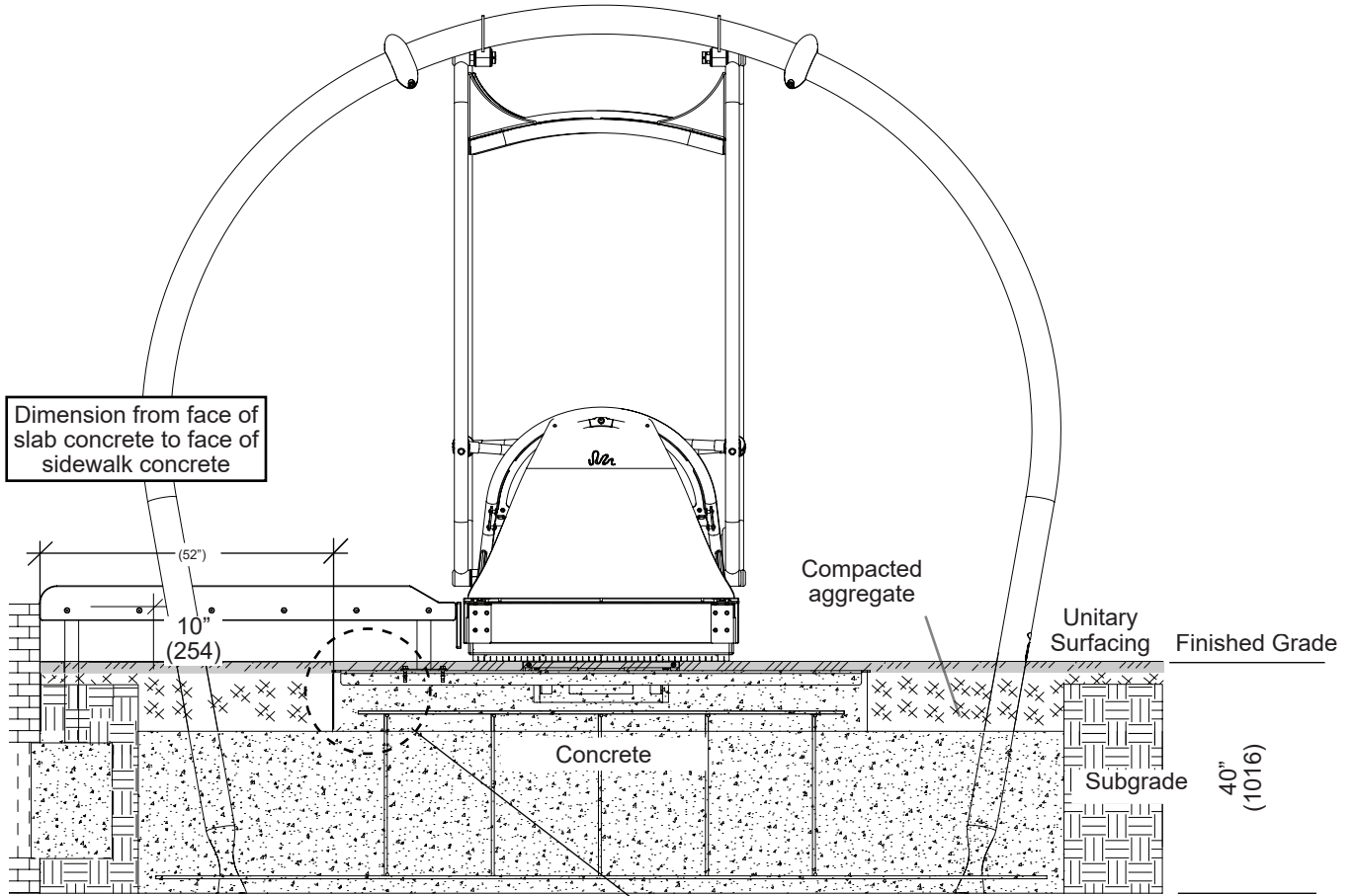


LOOSE FILL SURFACING CHART

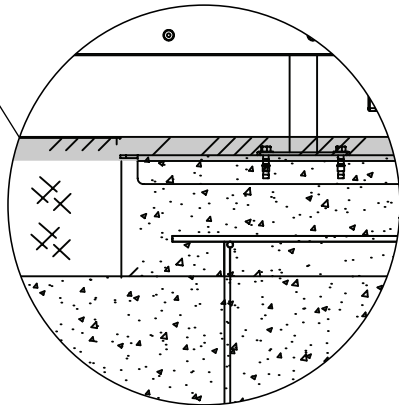


1 1/2"-2" Unitary surfacing with a turn-down, covering concrete. Back fill with loose fill surfacing.

UNITARY SURFACING CHART

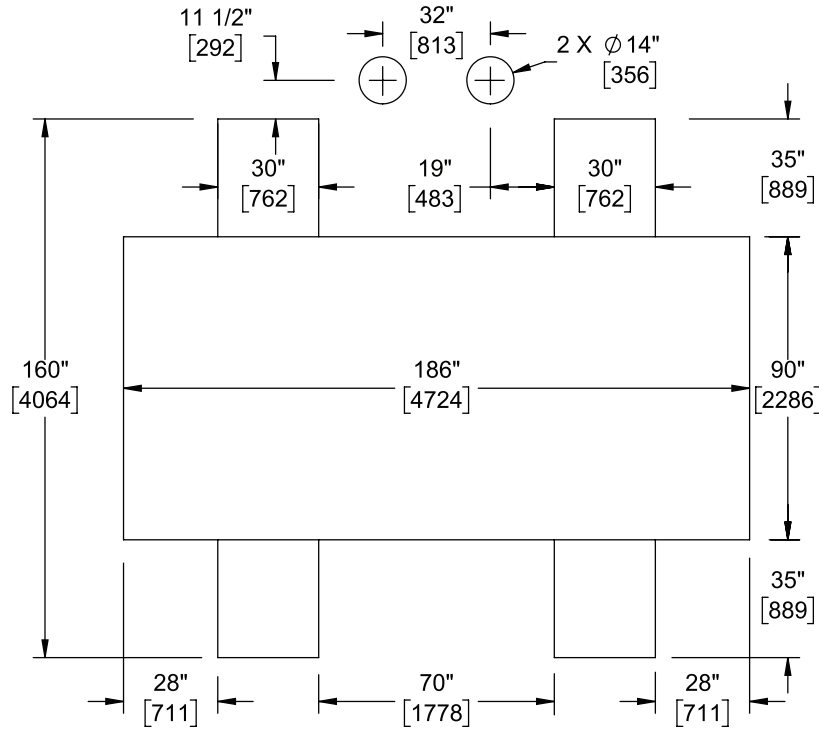


Unitary Surfacing

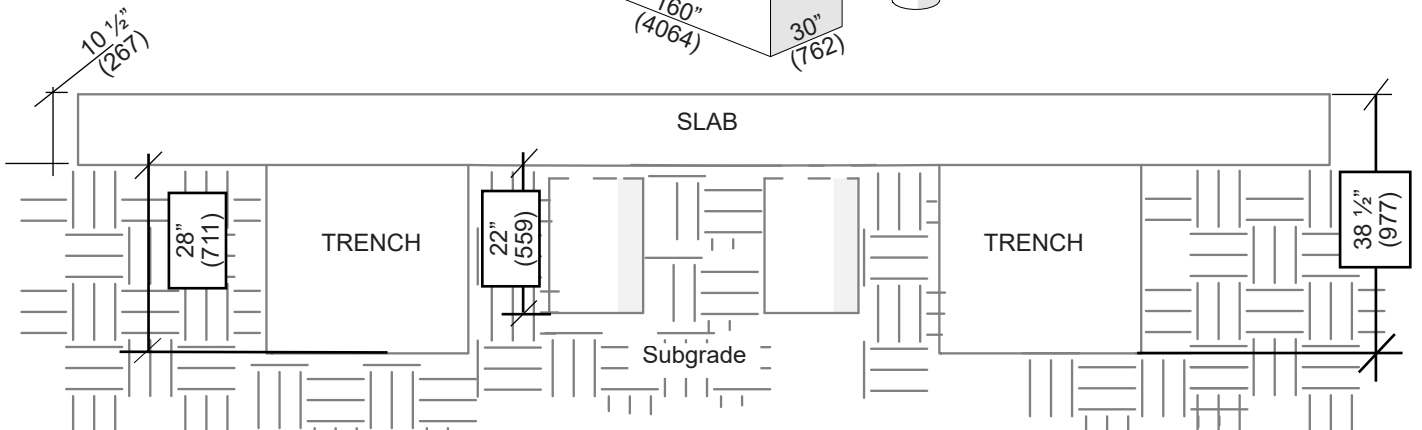
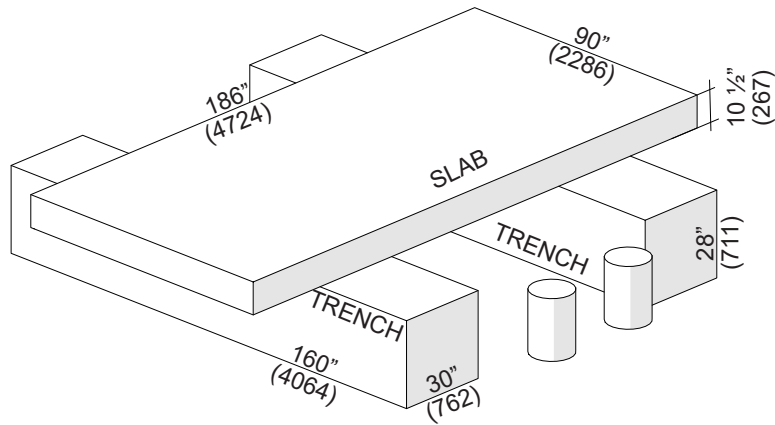


1 1/2"-2" Unitary surfacing covering concrete and subgrade

CONCRETE FOOTING CHART

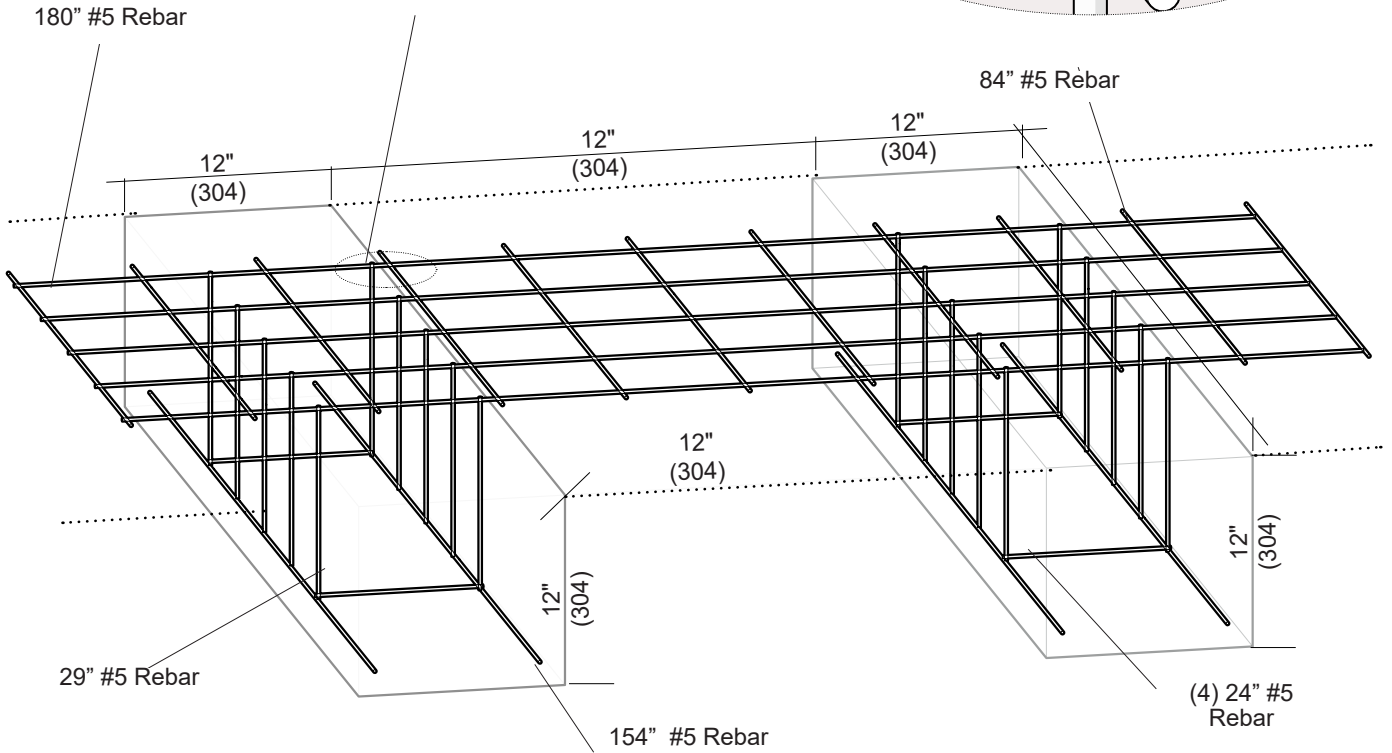
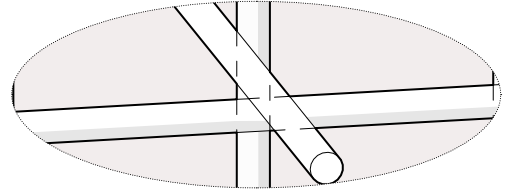


NOTE: CONCRETE IS A SINGLE POUR

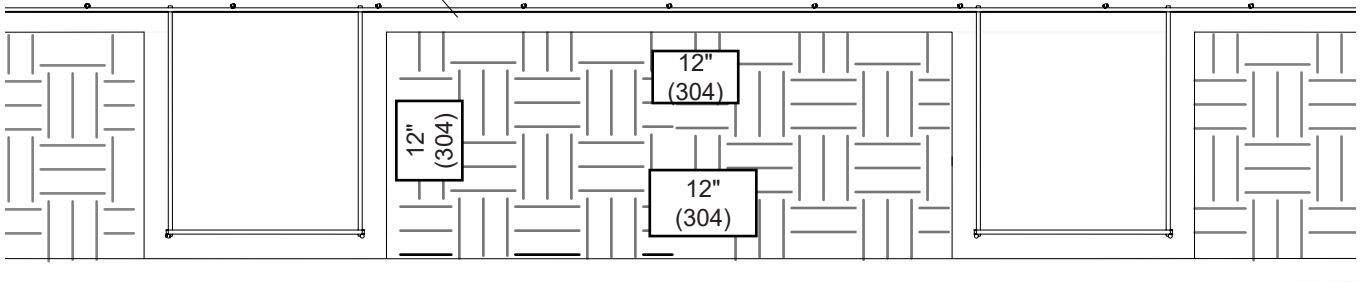


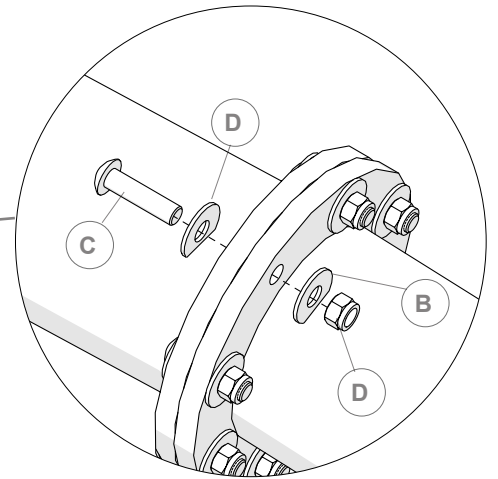
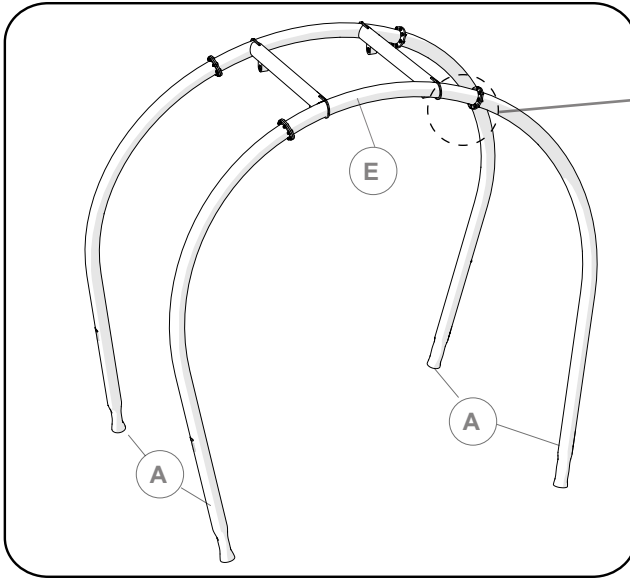
FOOTING CHART

NOTE: Cut and tie rebar (supplied) to meet dimensions shown



NOTE: This is the font for notes





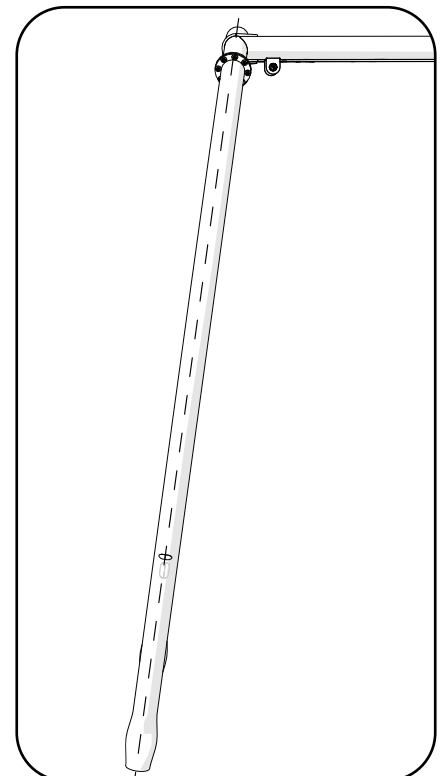
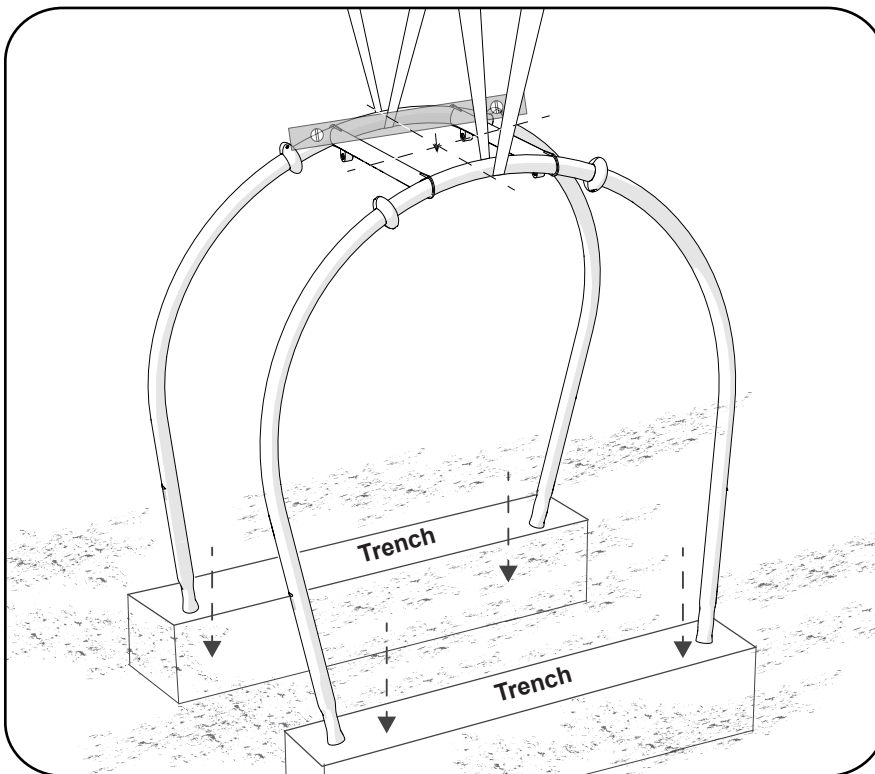
NOTE: Leave hardware loose until frame is lowered into the trenches.

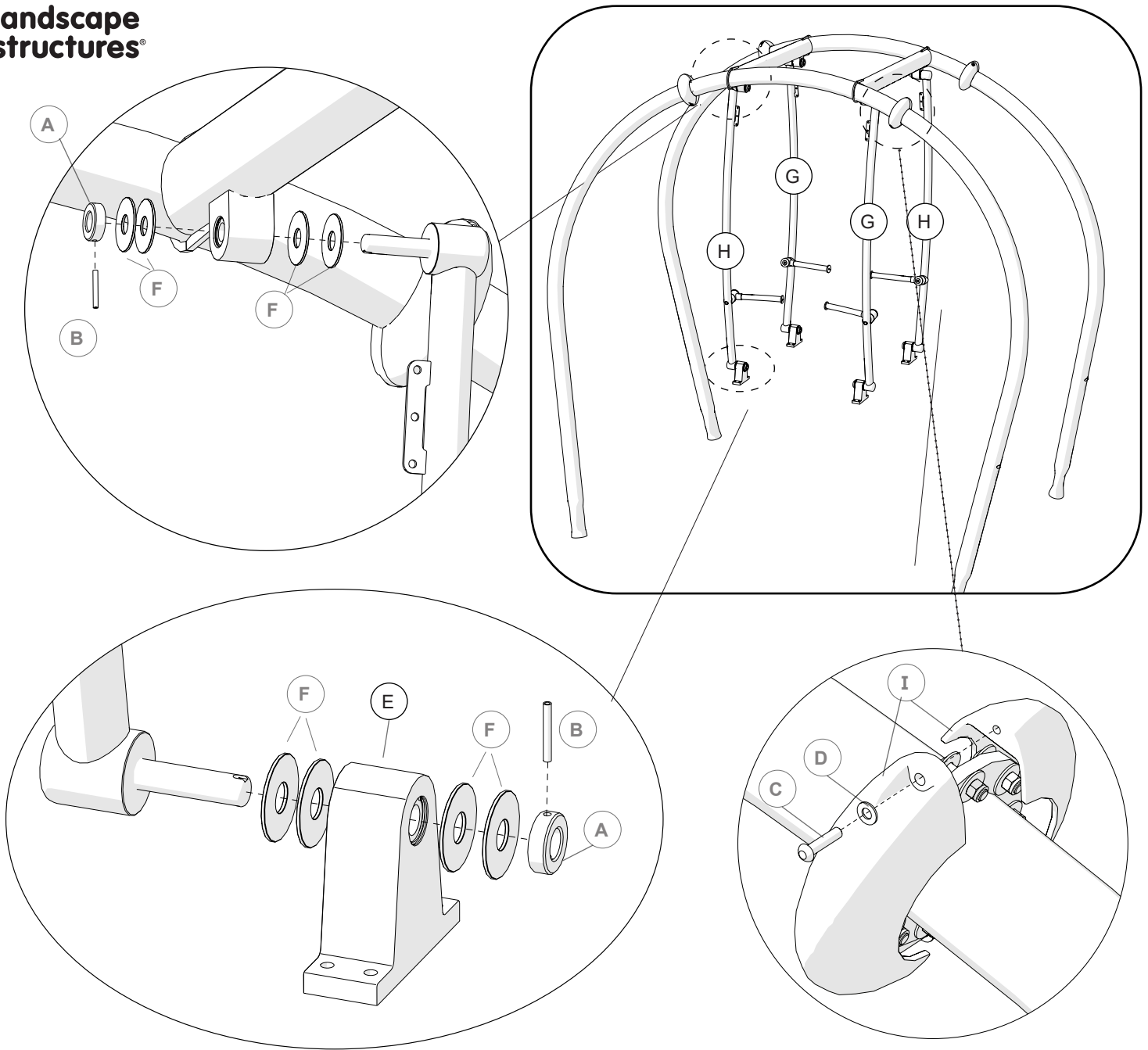
* Part #	Description	Qty.
A 274807	Inclusive Swing Frame Leg	4
B 100330	Nut Hex Nylok 7/16 - 14 SST	32
C 234397	BHCS 6lp LTHD 7/16 x 1.688"	32

* Part #	Description	Qty.
D 234937	D Cut Flat Washer SST	64
E 274908	Inclusive Swing Frame ASM	1

NOTE: Use a lift to move structure into trench. Level frame in both directions. If frame isn't level, adjust frame by adjusting legs.

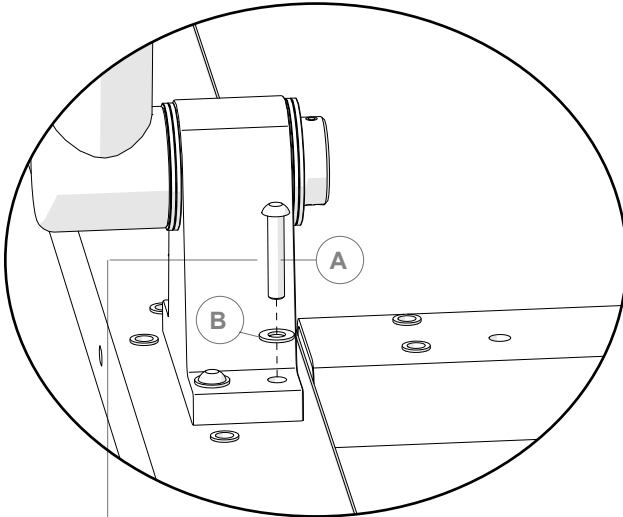
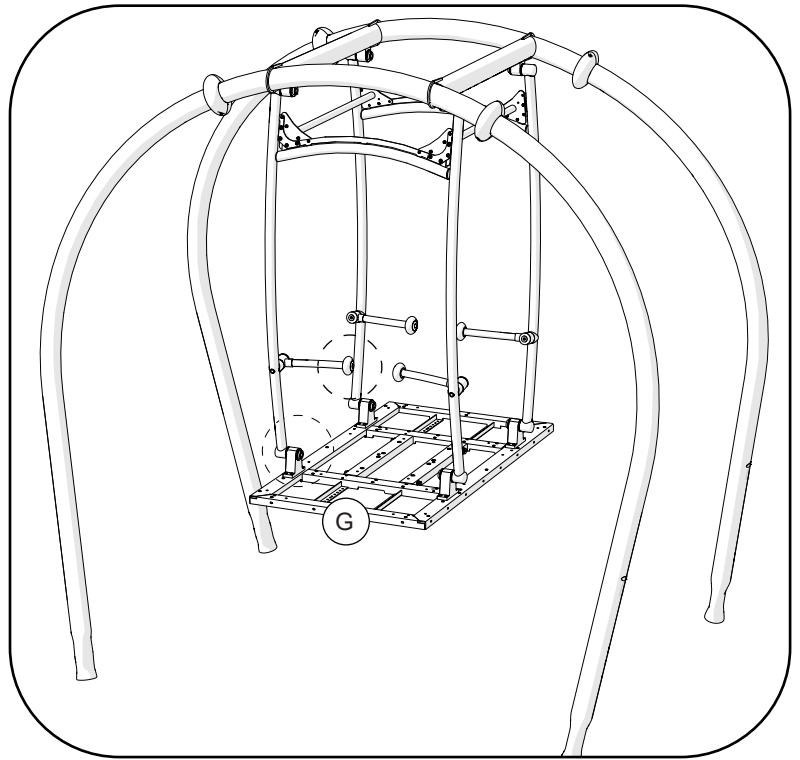
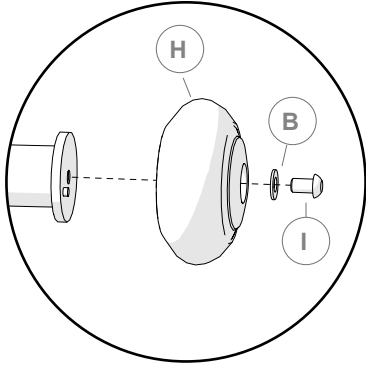
NOTE: Verify the legs are lined up with the swing frame ASM on both sides. SECURE HARDWARE ONCE VERIFIED



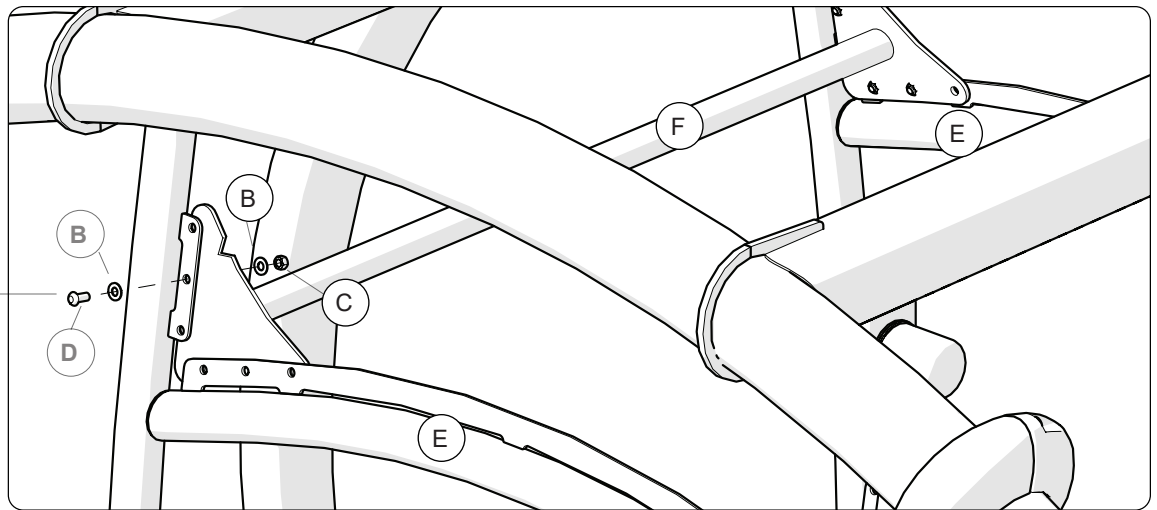


*	Part #	Description	Qty.
A	137779	Collar SST Sway Fun	8
B	121135	Spring Pin 1/4iodx2lg SST	8
C	123224	BHCS 6LP 3/8x1-11/16i SST	8
D	100365	3/8" SAE Washer	8
E	274909	Deck Mount Swing Pivot Anchor ASM	4

*	Part #	Description	Qty.
F	271755	Swing Arm Thrust Bearing	32
G	273300	Swing Arm Rh ASM	2
H	273301	Swing Arm Lh ASM	2
I	279176	5i Flange Cover Casting PNT	8



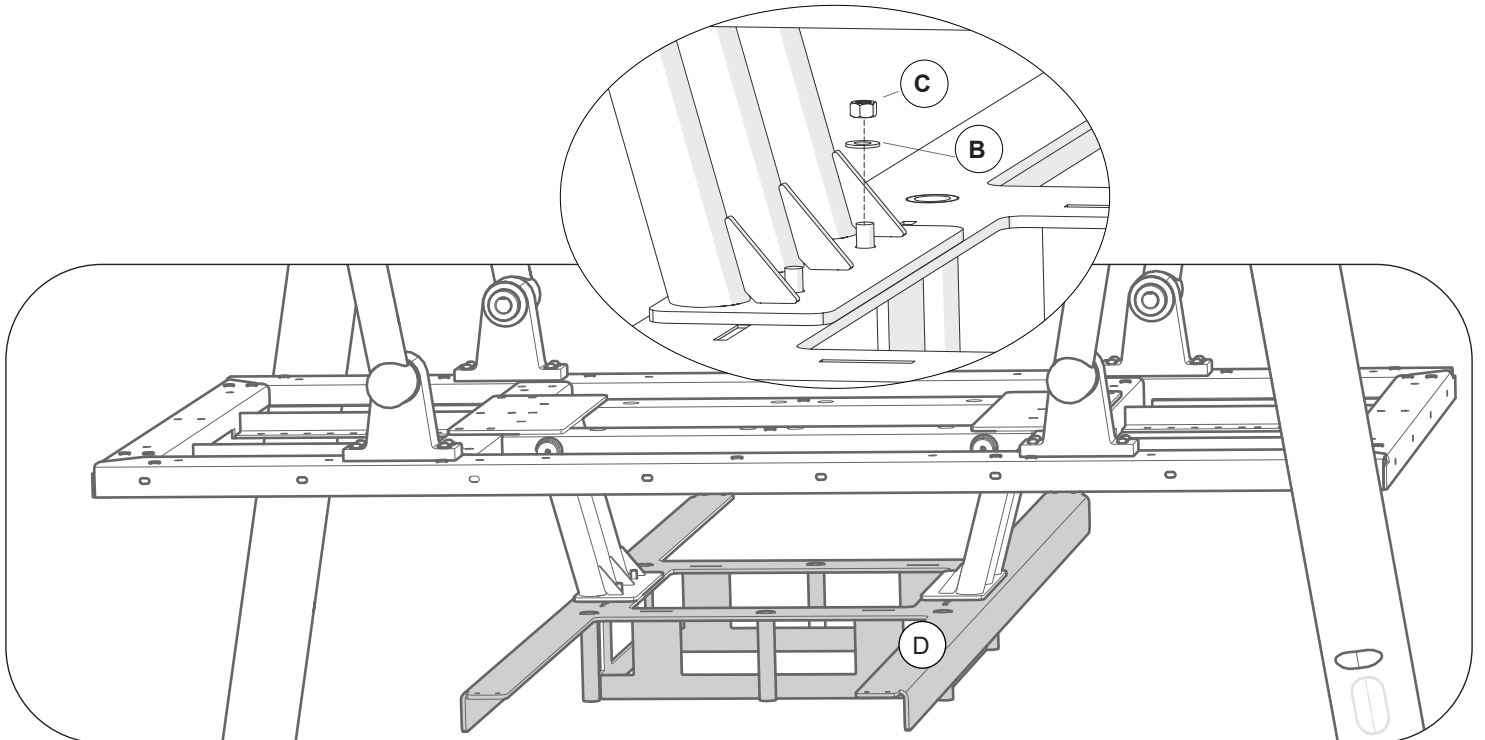
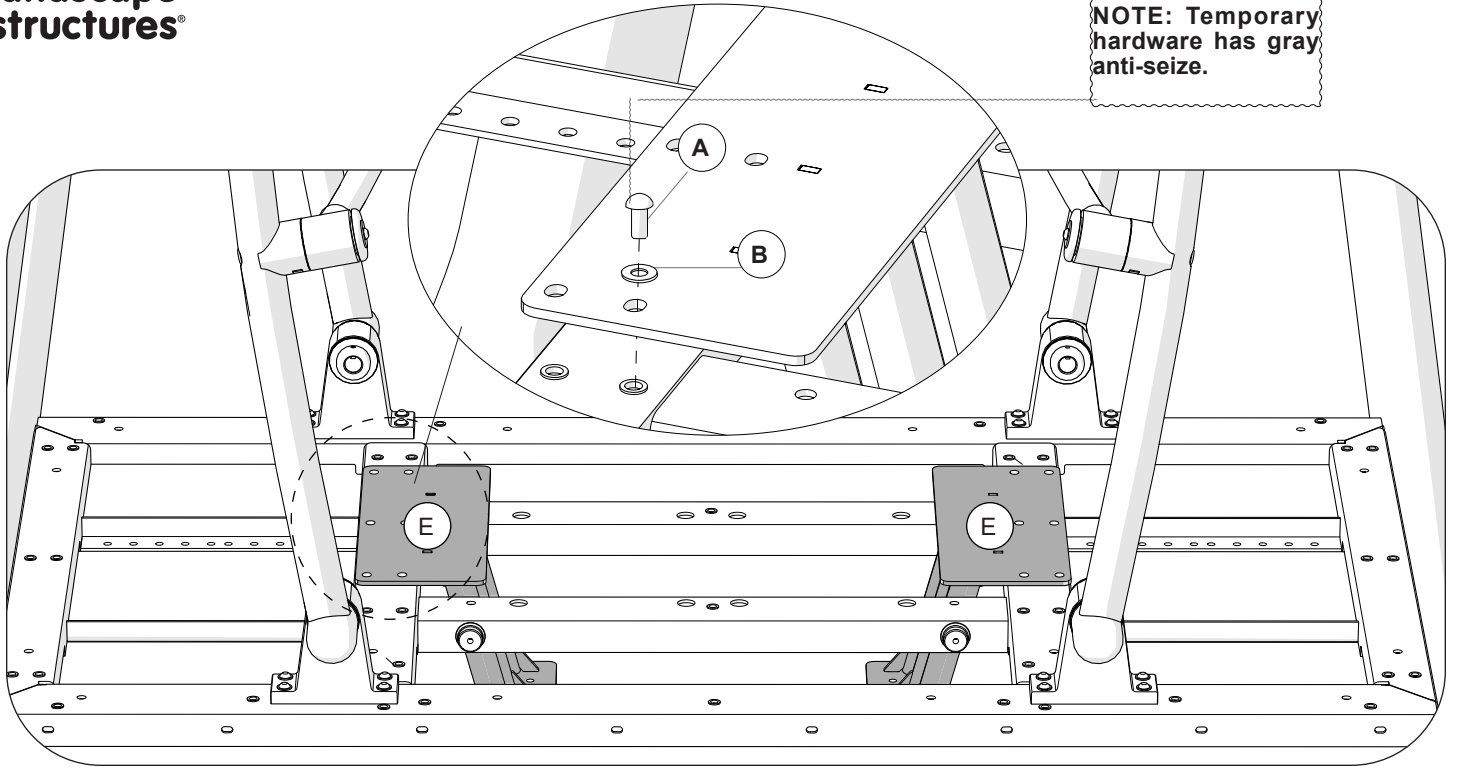
NOTE: Temporary hardware has gray anti-seize.



*	Part #	Description	Qty.
A	127549	3/8" x 1 1/4" Anti-Seize (Temporary)	16
B	100365	3/8" SAE Washer	68
C	100327	3/8" Standard Hex Nut	16
D	127546	3/8" x 7/8" Anti-Seize (Temporary)	16
E	274078	Swing arm brace	2

*	Part #	Description	Qty.
F	274935	Swing arm installation lock RED (Temporary)	2
G	271008	Deck support frame PNT	1
H	182262	Rung cap	4
I	100195	3/8" x 5/8" BHCS	4

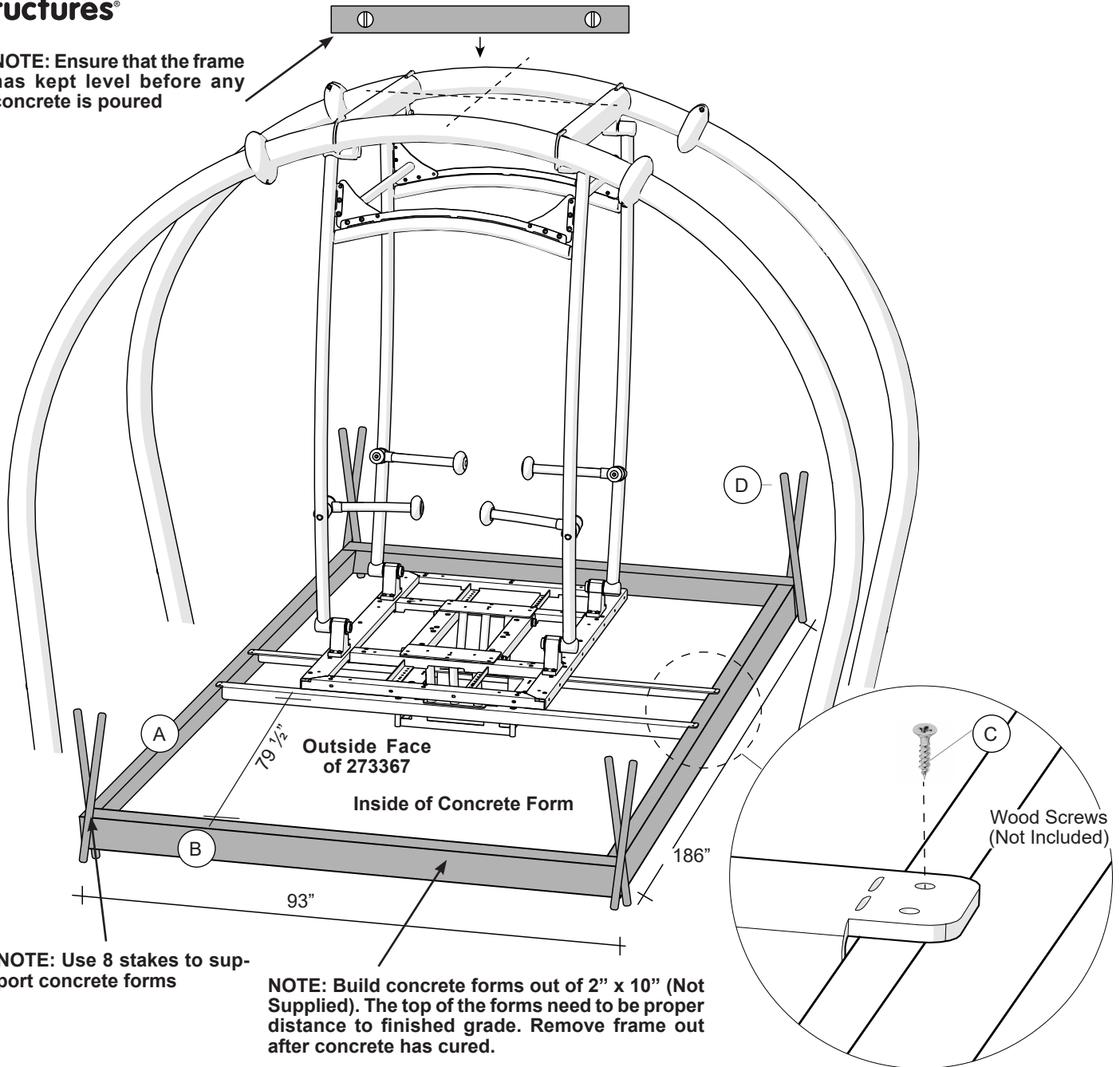
NOTE: Temporary hardware has gray anti-seize.



*	Part #	Description	Qty.
A	127546	$\frac{3}{8}$ x $\frac{7}{8}$ " Anti-Seize (Temporary)	12
B	100365	$\frac{3}{8}$ " SAE Washer (Temporary)	16

*	Part #	Description	Qty.
C	100327	$\frac{3}{8}$ " Standard Hex Nut (Temporary)	4
D	273367	Anchor Cage Inclusive Swing	1
E	274936	Deck Installation Support (Temporary)	2

NOTE: Ensure that the frame has kept level before any concrete is poured

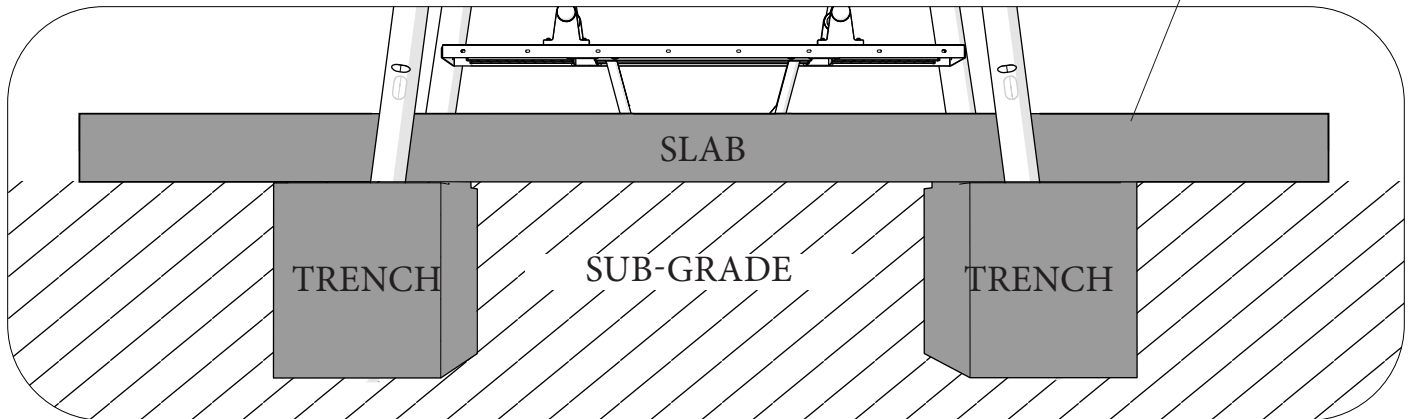
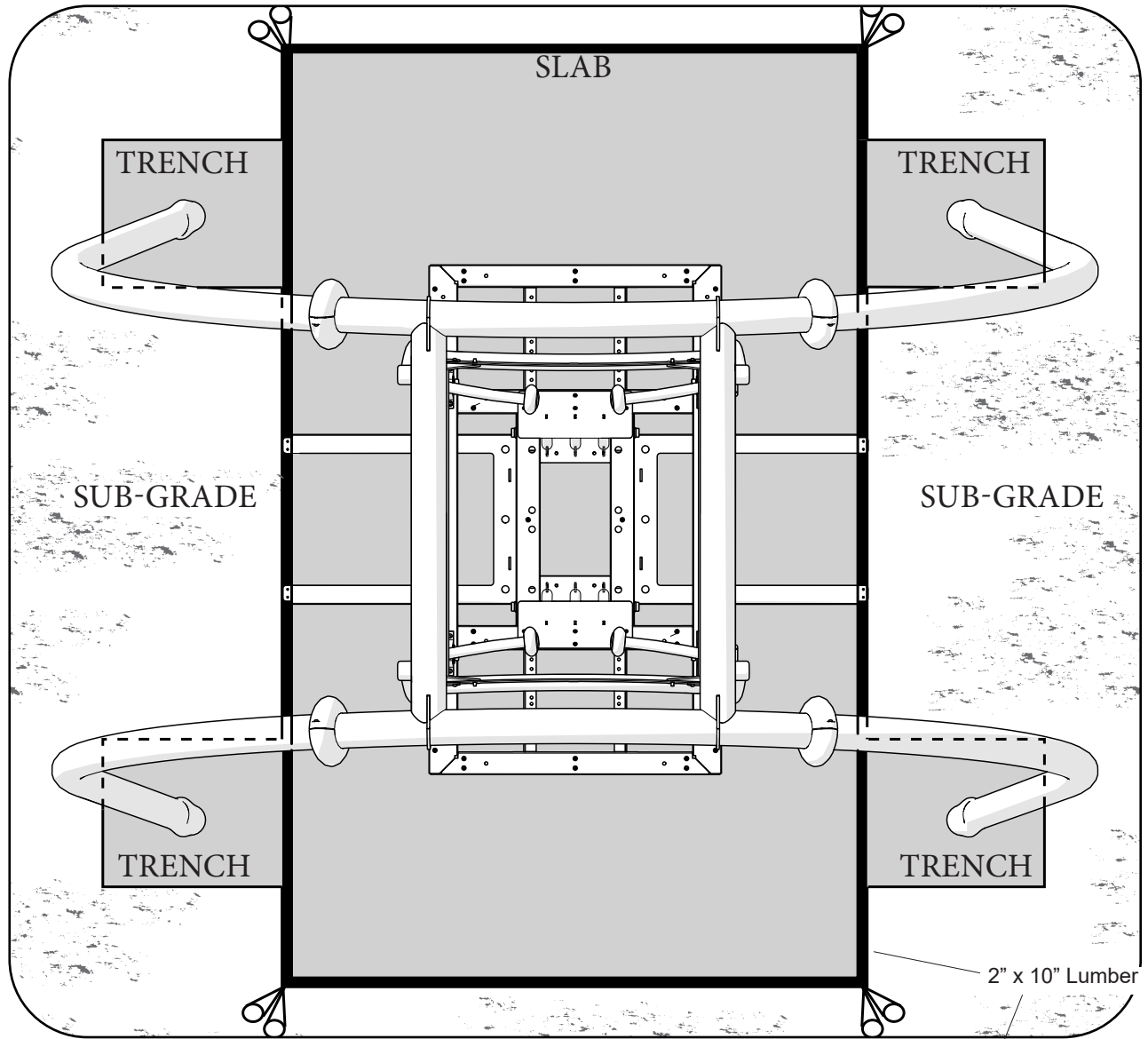


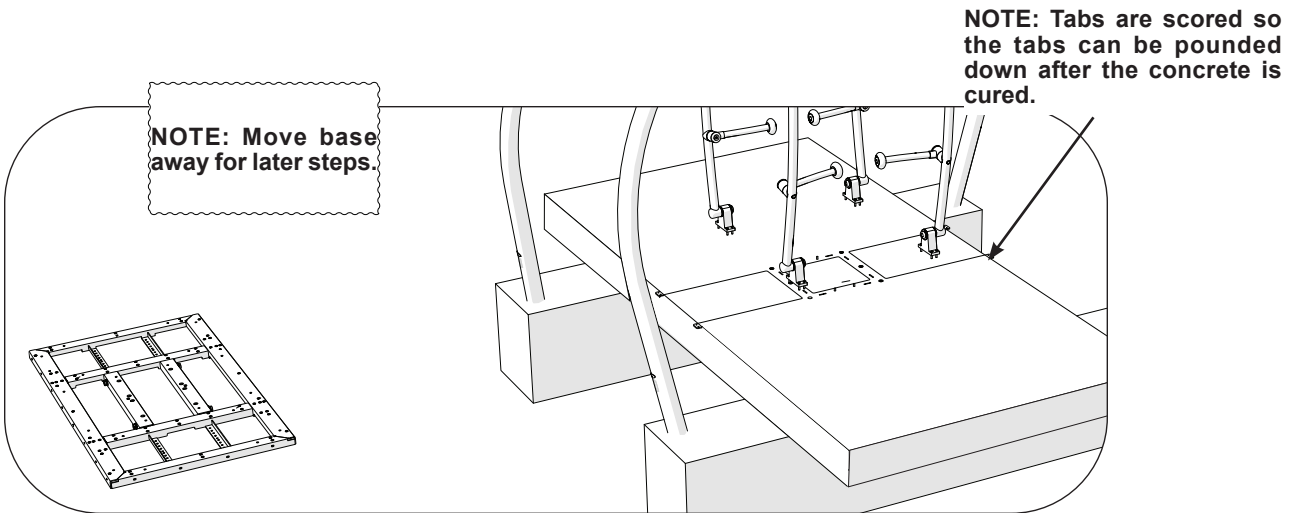
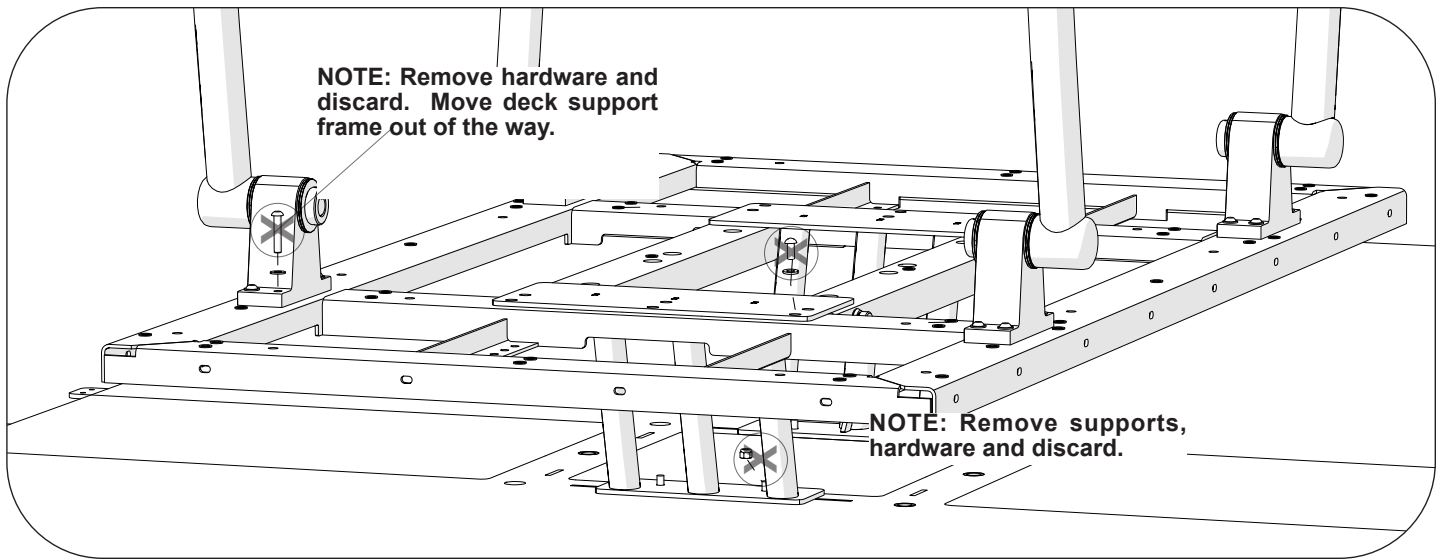
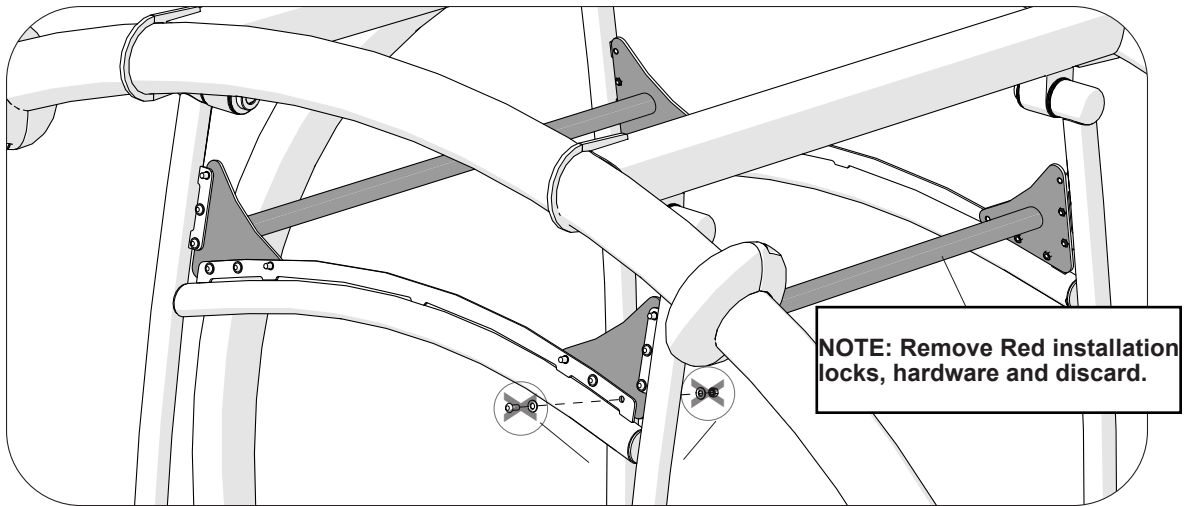
**TOP OF THE FORM NEEDS TO BE
1 1/2" FROM FINISHED GRADE**

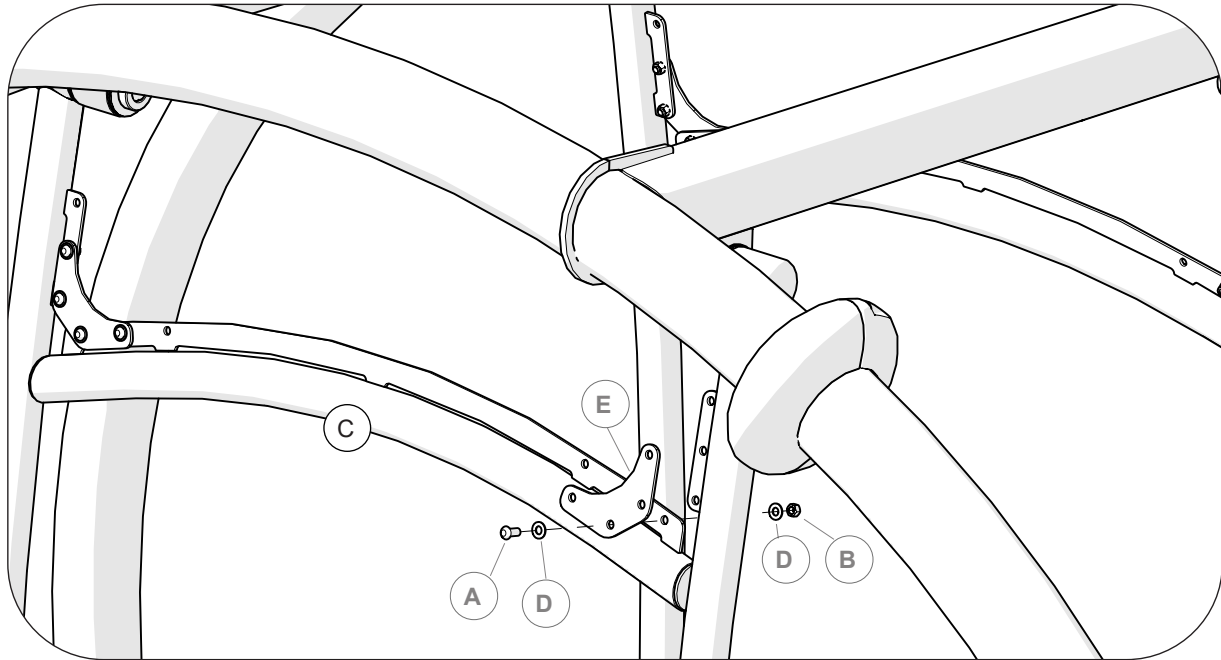
*	Part #	Description	Qty.
A	X	2" x 10" Lumber - 186"	2
B	X	2" x 10" Lumber - 93"	2

*	Part #	Description	Qty.
C	X	Wood Screws	X
D	X	Concrete Stakes	8

SINGLE POUR CONCRETE



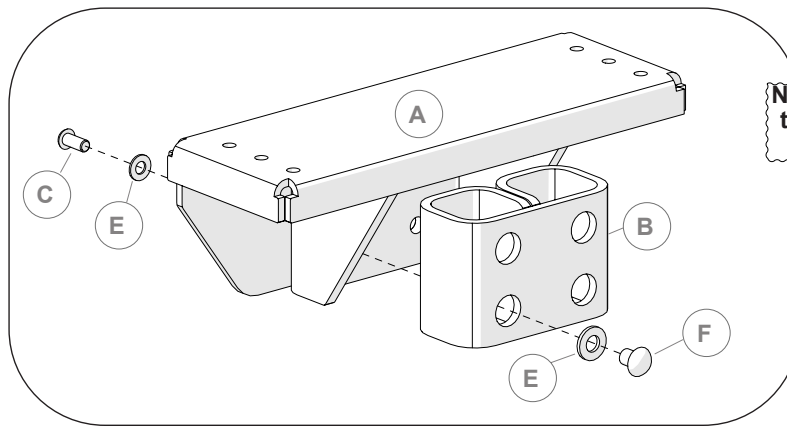




*	Part #	Description	Qty.
A	100196	3/8" x 7/8" BHCS	16
B	100327	3/8" Standard Hex Nut	16
C	274078	Swing arm brace	2

*	Part #	Description	Qty.
D	100365	3/8" SAE Washer	32
E	278682	Swing Arm Mending Plt	4

Bumper Assembly

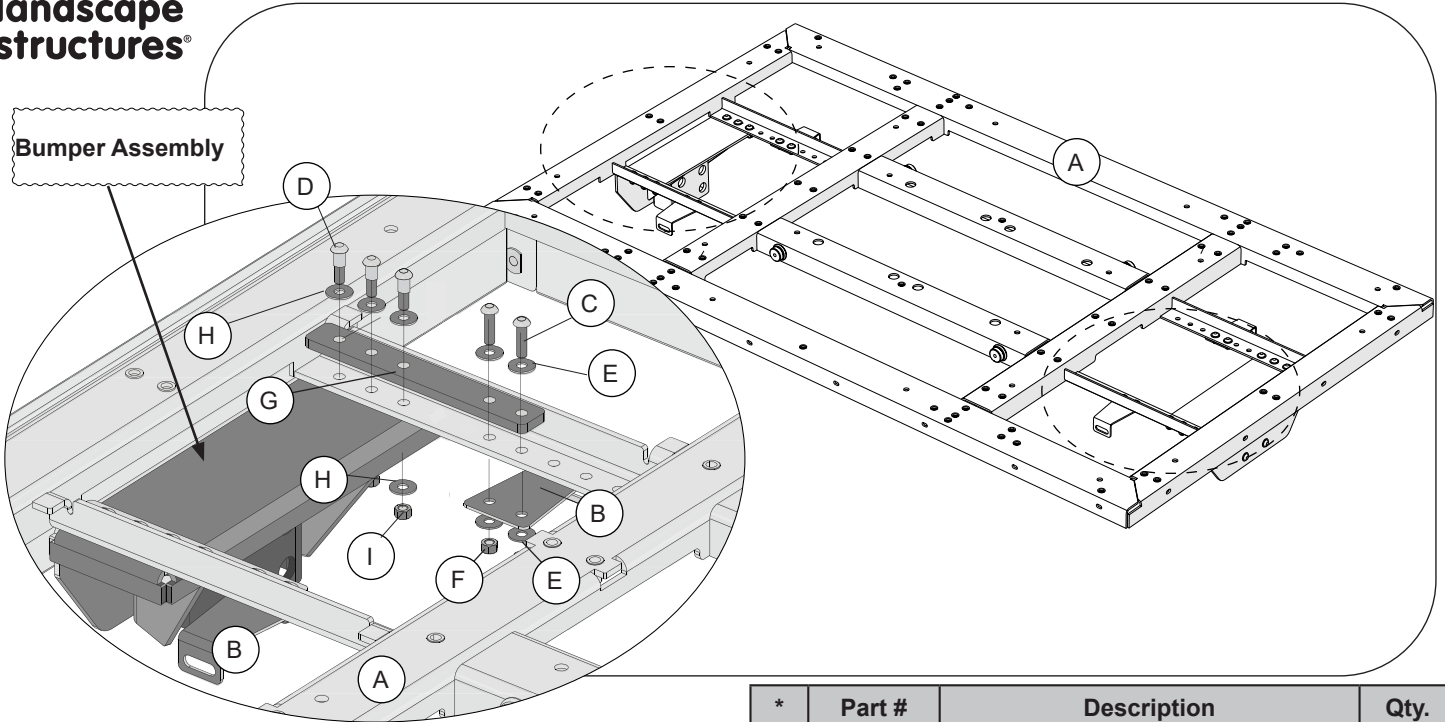


Note: The flat belting needs to be bent into this shape.

*	Part #	Description	Qty.
A	275593	Hard Stop Bracket	2
B	279974	Belt Bumper Stop	2
C	100196	3/8" X 7/8" BHCS	8

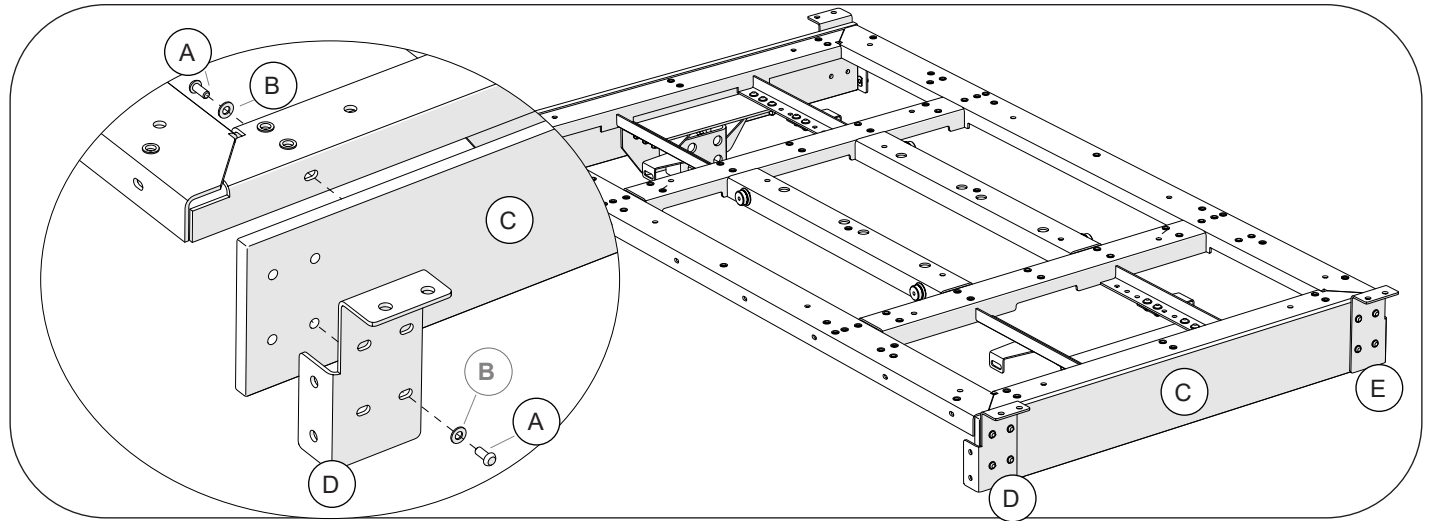
*	Part #	Description	Qty.
D	100365	3/8" SAE Washer	8
E	113550	Washer Flat SAE 1/2i SST	8
F	100353	Flg Nut 6lp 3/8-16 SST	8

Bumper Assembly



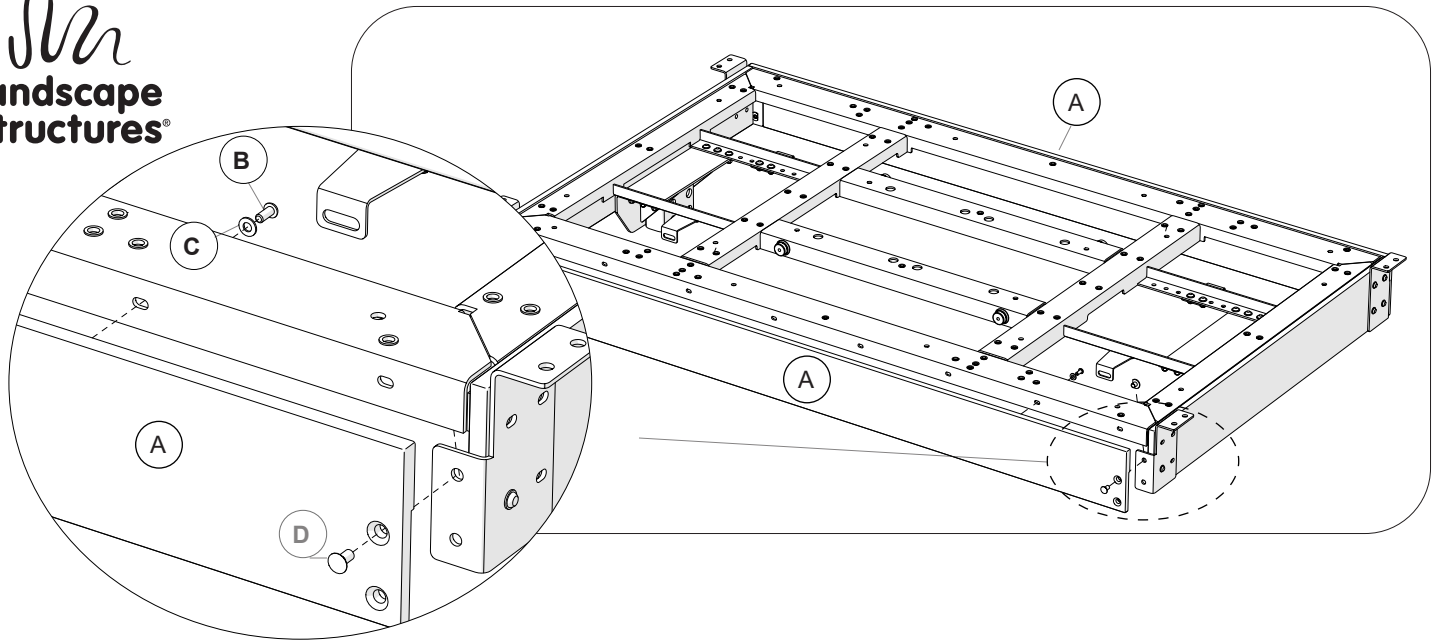
* Part #	Description	Qty.
A 271008	Deck Support Frame Pnt	1
B 278564	Linkage Brkt Pnt	4
C 113027	$\frac{3}{8}$ x 1- $\frac{3}{8}$ " BHCS	16
D 234397	BHCS 6lp LTHD 7/16 x 1.688"	12

* Part #	Description	Qty.
E 100362	$\frac{3}{8}$ " FLAT Washer	16
F 100327	$\frac{3}{8}$ " Standard Hex Nut	24
G 284809	Soft stop frame doubler	4
H 112793	Washer Flat 7/16i SST	24
I 100330	Nut Hex Nylok 7/16 - 14 SST	12



* Part #	Description	Qty.
A 223807	$\frac{5}{16}$ x $\frac{3}{4}$ " BHCS	24
B 223956	$\frac{5}{16}$ " SAE Flat Washer	24
C 271541	Deck Skirt End	2

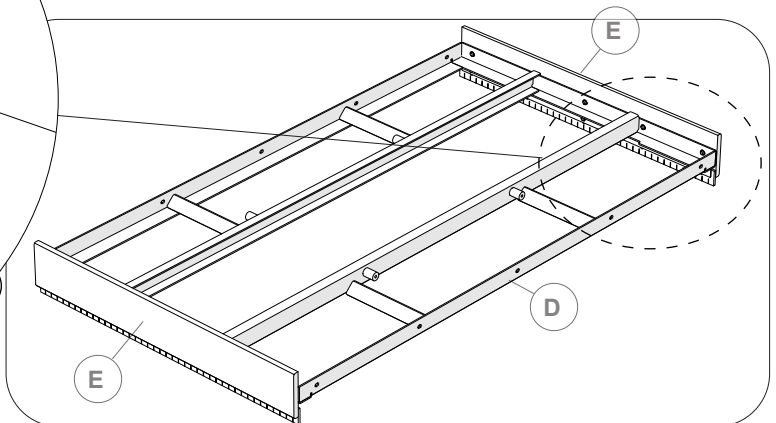
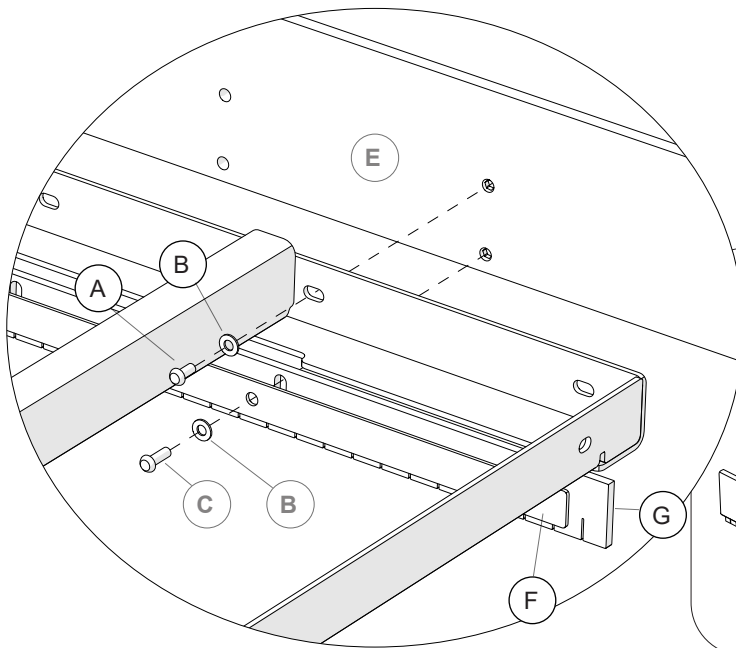
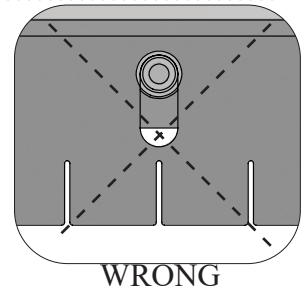
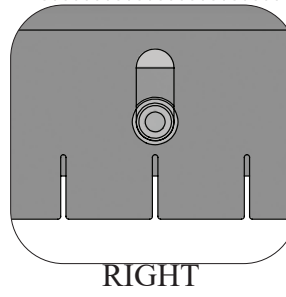
* Part #	Description	Qty.
D 277802	Swing Skirt Corner Bracket LH	2
E 277856	Swing Skirt Corner Bracket RH	2



* Part #	Description	Qty.
A 271540	Deck Skirt Side	2
B 223807	$\frac{5}{16}$ x $\frac{3}{4}$ " BHCS	16

* Part #	Description	Qty.
C 223956	$\frac{5}{16}$ " SAE Flat Washer	16
D 148686	FHCS 6lp 3/8x3/4i SST	8

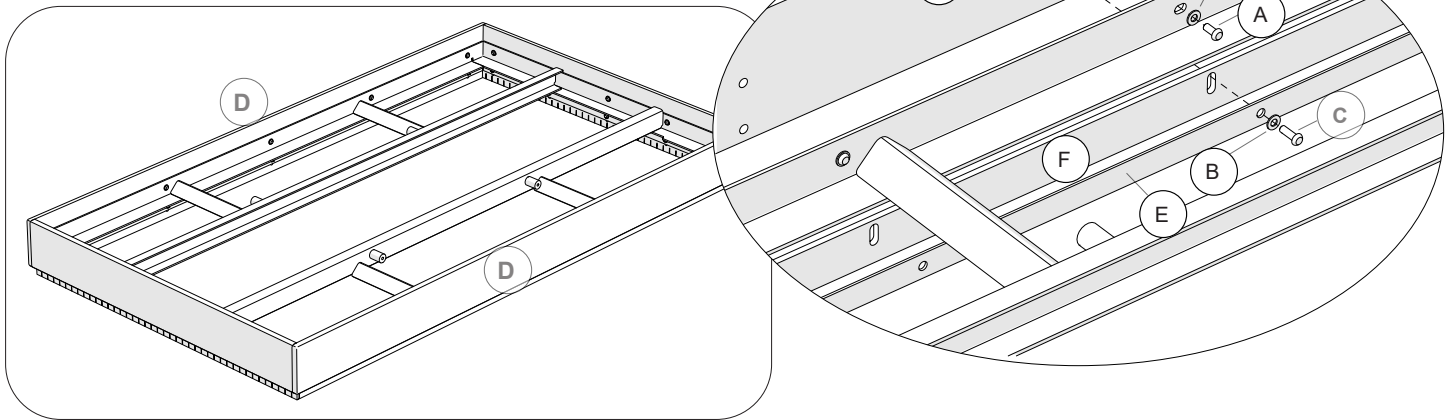
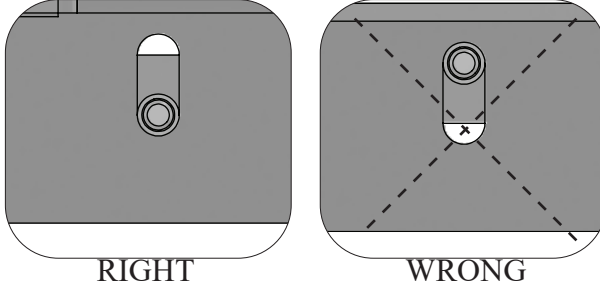
NOTE: SWEEPER NEEDS TO BE POSITIONED AT THE BOTTOM OF THE SLOTS



* Part #	Description	Qty.
A 223807	$\frac{5}{16}$ x $\frac{3}{4}$ " BHCS Torx	10
B 223956	$\frac{5}{16}$ " SAE Flat Washer	20
C 264971	5/16" - 18 x 1"	10
D 271624	Trolley Track Frame	1

* Part #	Description	Qty.
E 272545	Trolley Frame End Side Skirt	2
F 274943	End Sweeper Plate	2
G 274942	End Sweeper (Black belt)	2

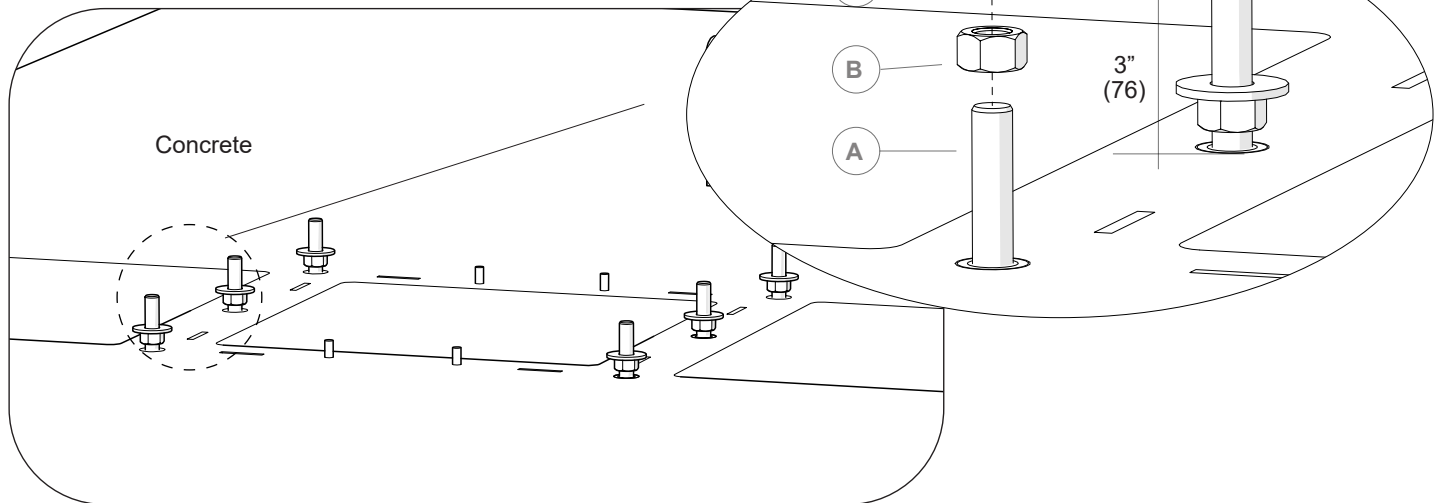
NOTE: SWEEPER NEEDS TO BE POSITIONED AT THE BOTTOM OF THE SLOTS



*	Part #	Description	Qty.
A	223807	5/16" x 3/4" BHCS Torx	10
B	223956	5/16" SAE Flat Washer 5/16"	20
C	264971	5/16" - 18 x 1"	10

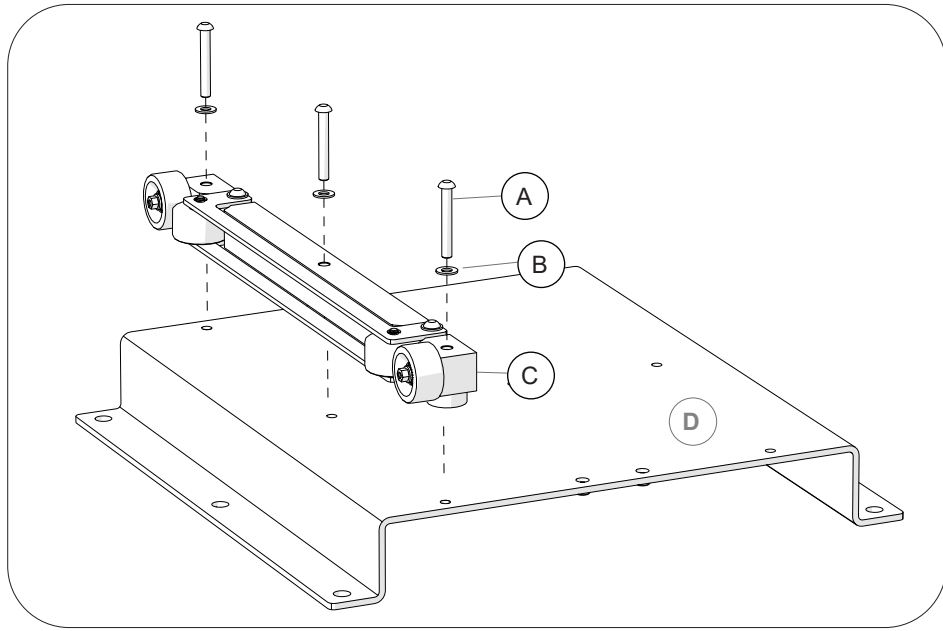
*	Part #	Description	Qty.
D	272544	Trolley frame side skirt	2
E	274941	Side sweeper plate	2
F	274940	Side sweeper (Black belt)	2

NOTE: Measure from top of concrete to top of rod. Measurement should be 3" (+/- 1/4").



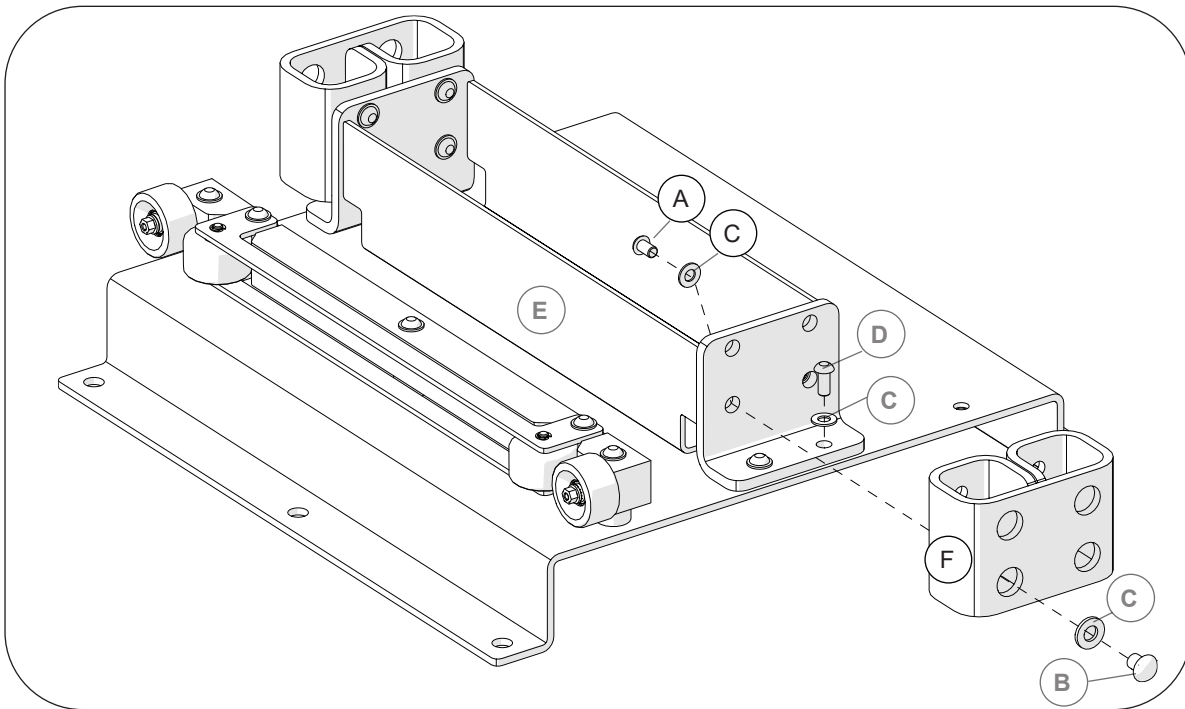
*	Part #	Description	Qty.
A	274401	Thd Rod 5/8 X 4i	6
B	100323	Nut Hex Std 5/8-11	6

*	Part #	Description	Qty.
C	100366	Washer Flat 5/8i	6



*	Part #	Description	Qty.
A	100175	3/8x2-3/4i	3
B	100365	3/8" SAE Washer	3

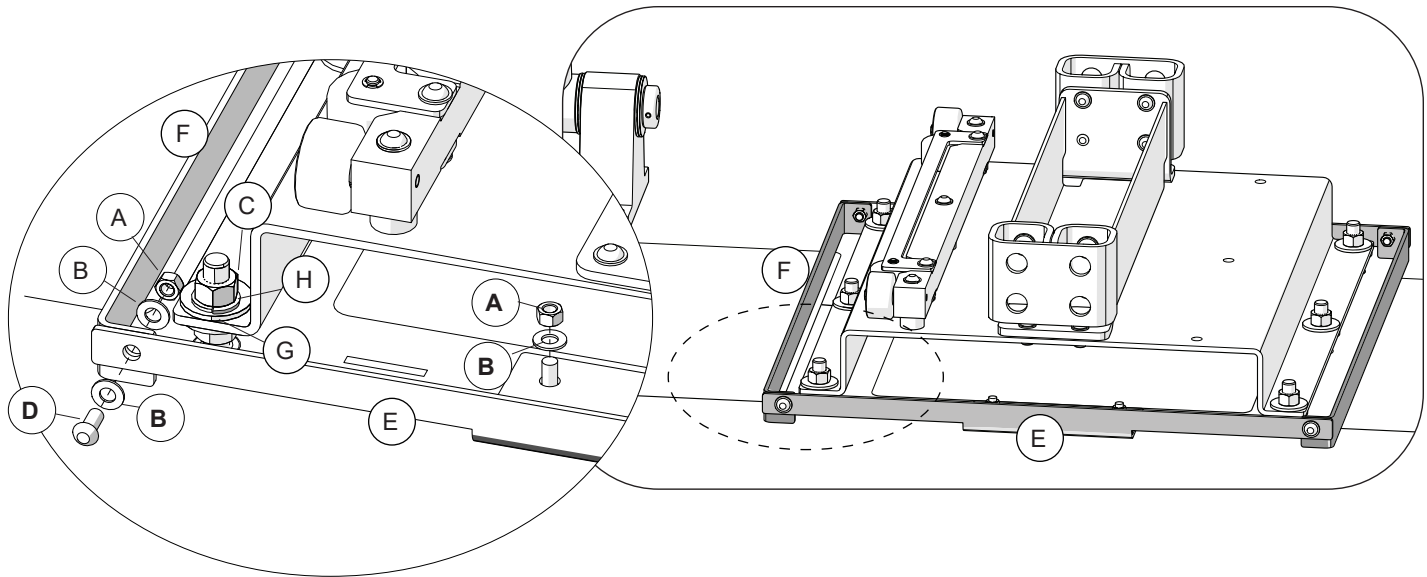
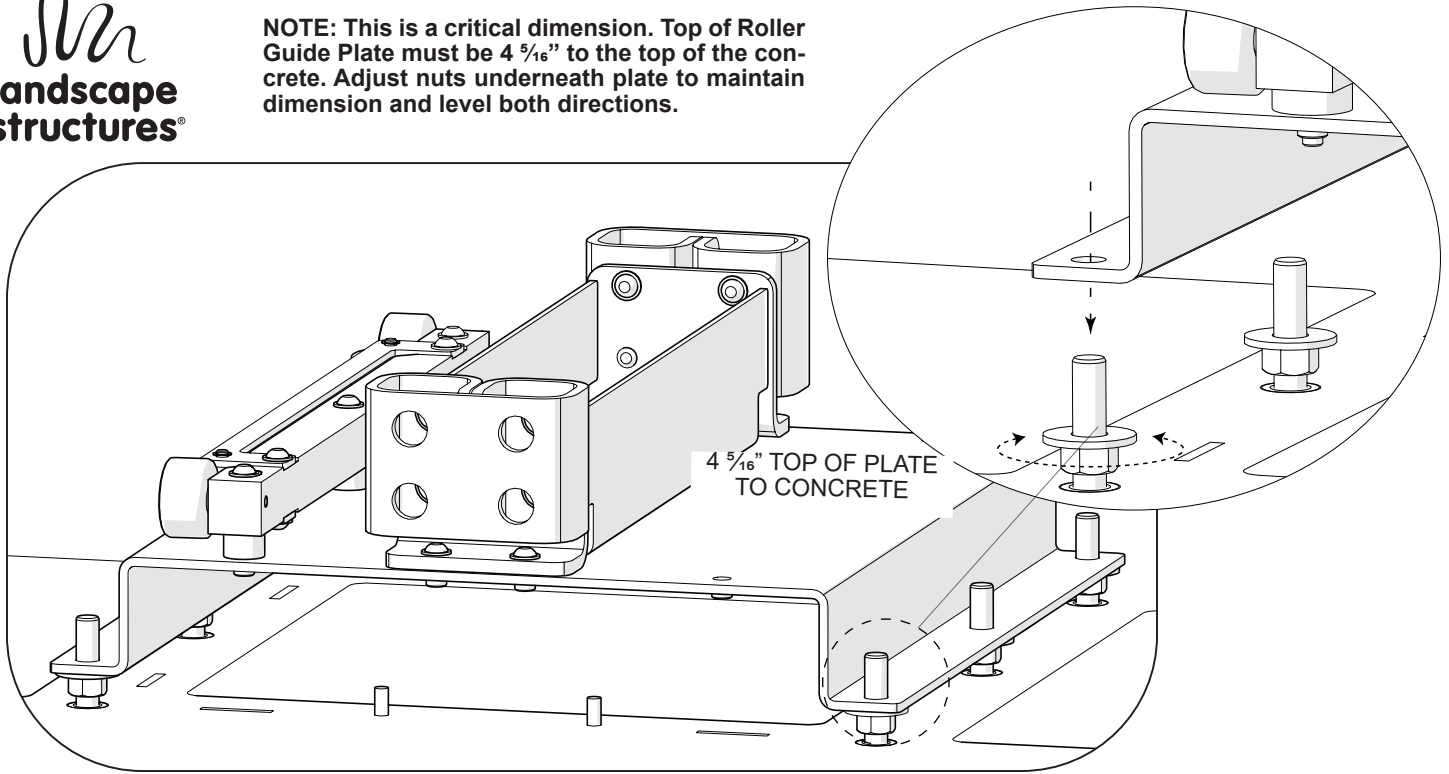
*	Part #	Description	Qty.
C	275657	Trolley Assembly	1
D	279874	Track Base Pnt	1



*	Part #	Description	Qty.
A	100195	3/8 x 5/8" BHCS	8
B	100353	Flg Nut 6lp 3/8-16 SST	8
C	113550	Washer Flat SAE 1/2i SST	14

*	Part #	Description	Qty.
D	100196	3/8 x 7/8" BHCS	6
E	273329	Soft Stop Frame	1
F	279974	Belt Bumper Stop	2

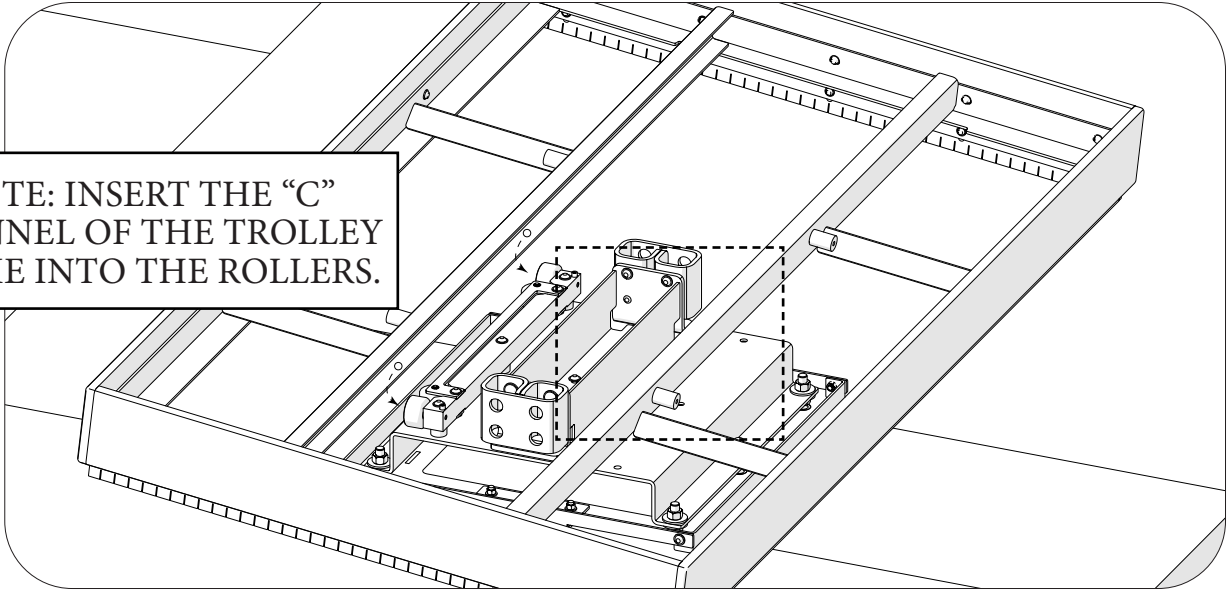
NOTE: This is a critical dimension. Top of Roller Guide Plate must be $4 \frac{5}{16}$ " to the top of the concrete. Adjust nuts underneath plate to maintain dimension and level both directions.



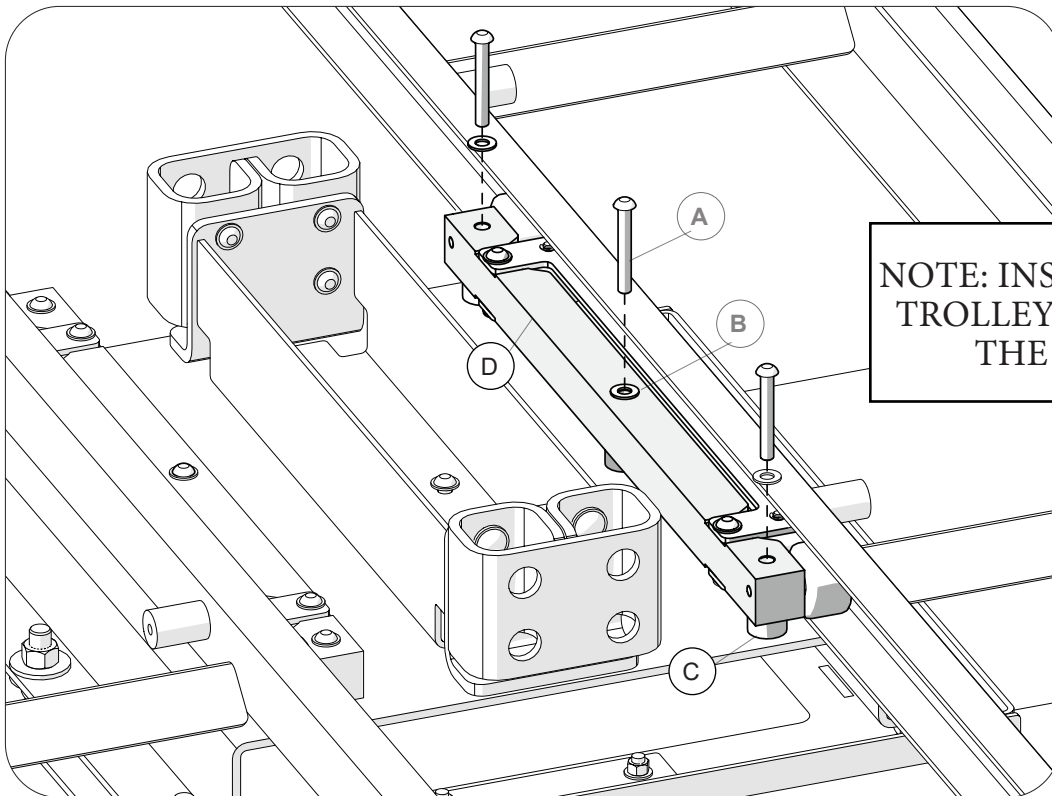
*	Part #	Description	Qty.
A	100327	$\frac{3}{8}$ " Standard Hex Nut	8
B	100365	$\frac{3}{8}$ " SAE Washer	12
C	100323	Nut Hex Std 5/8-11 SST	6
D	100196	$\frac{3}{8}$ x $\frac{7}{8}$ " BHCS	4

*	Part #	Description	Qty.
E	274939	Surfacing Trowel Bracket	2
F	281818	Surfacing Trowel Bracket 2	2
G	100366	Washer Flat 5/8i SST	6
H	175652	Washer Lock Spring 5/8i SST	6

NOTE: INSERT THE "C"
CHANNEL OF THE TROLLEY
FRAME INTO THE ROLLERS.

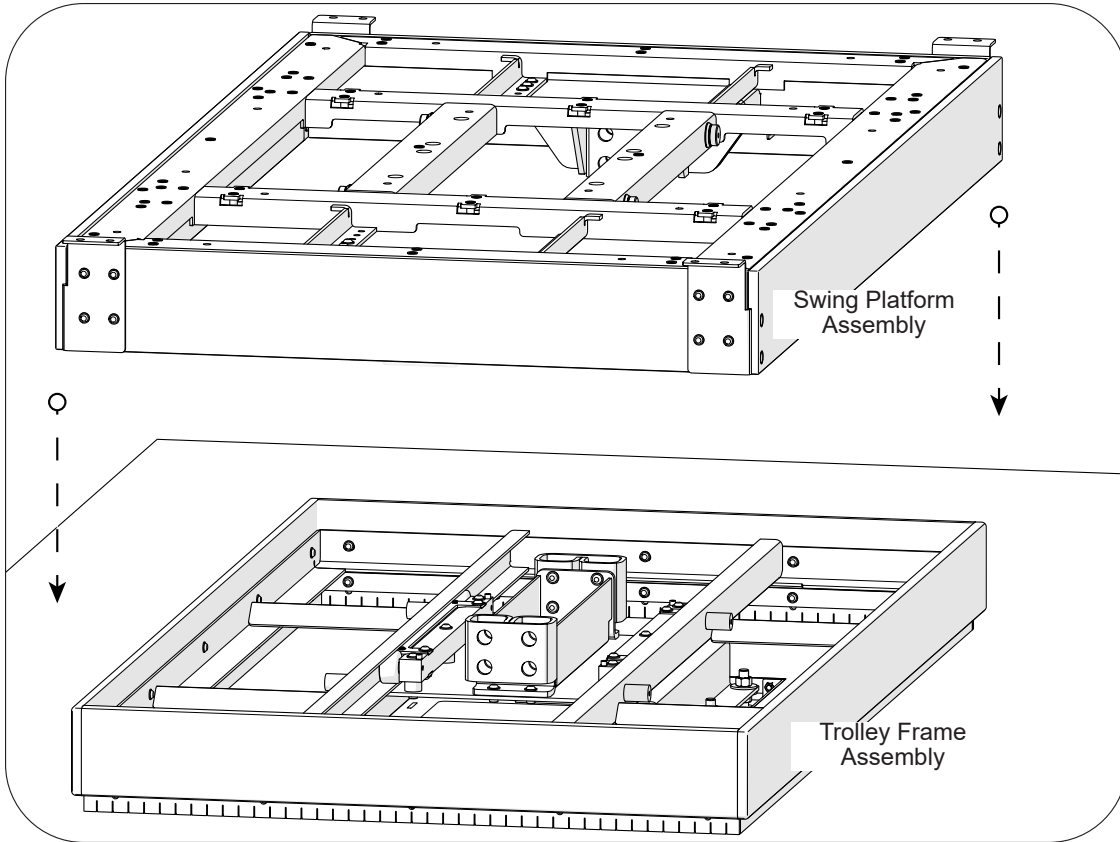


NOTE: INSERT THE SECOND
TROLLEY ASSEMBLY INTO
THE C CHANNEL

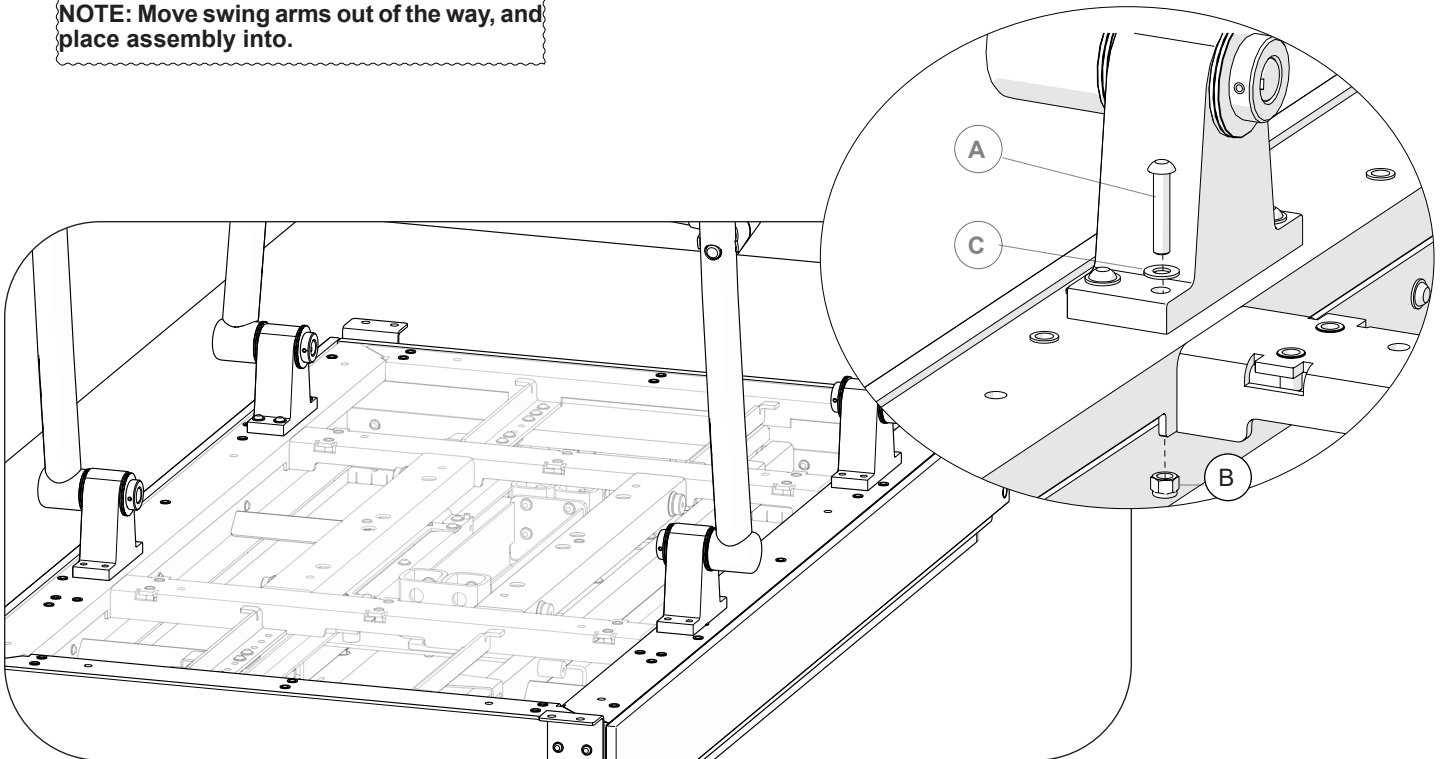


*	Part #	Description	Qty.
A	100175	3/8x2-3/4i	3
B	100365	3/8" SAE Washer	3

*	Part #	Description	Qty.
C	275657	Trolley Assembly	1
D	272034	Spacer	3



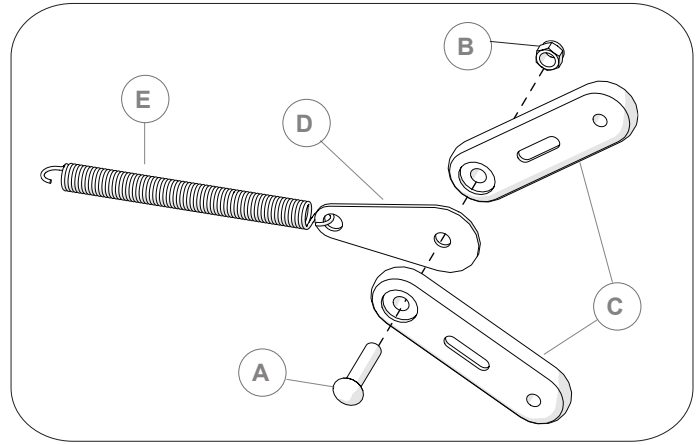
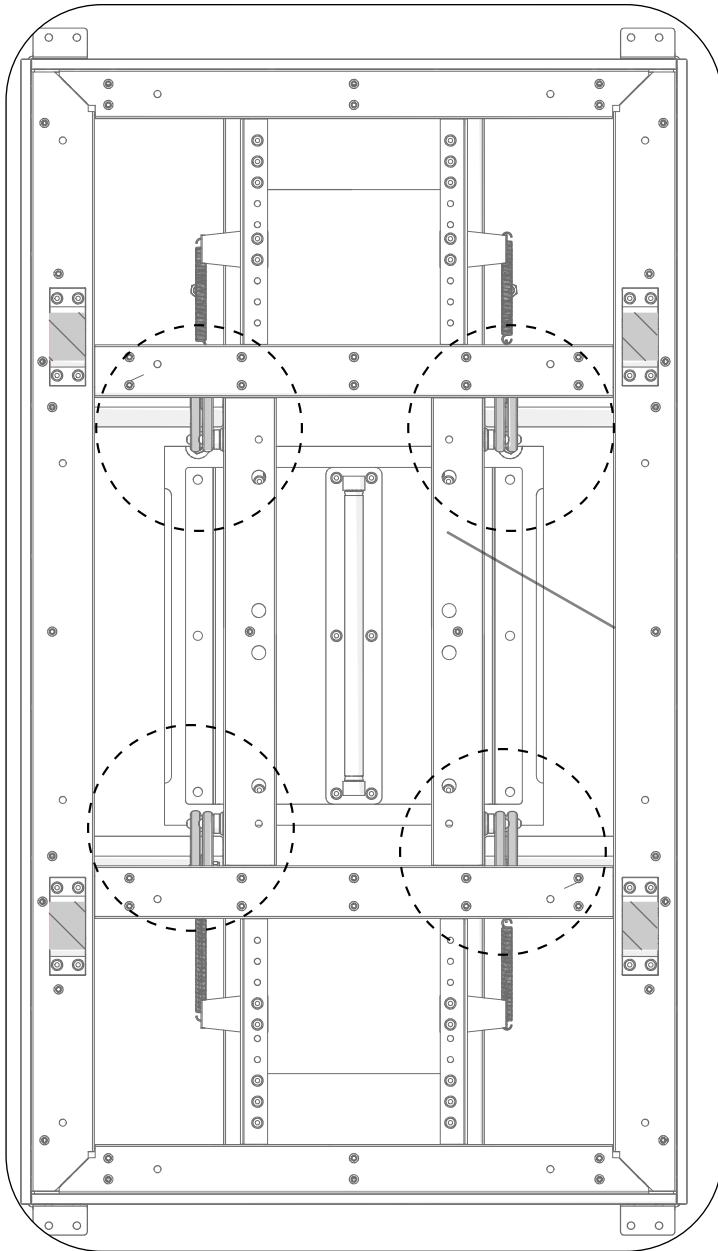
NOTE: Move swing arms out of the way, and place assembly into.



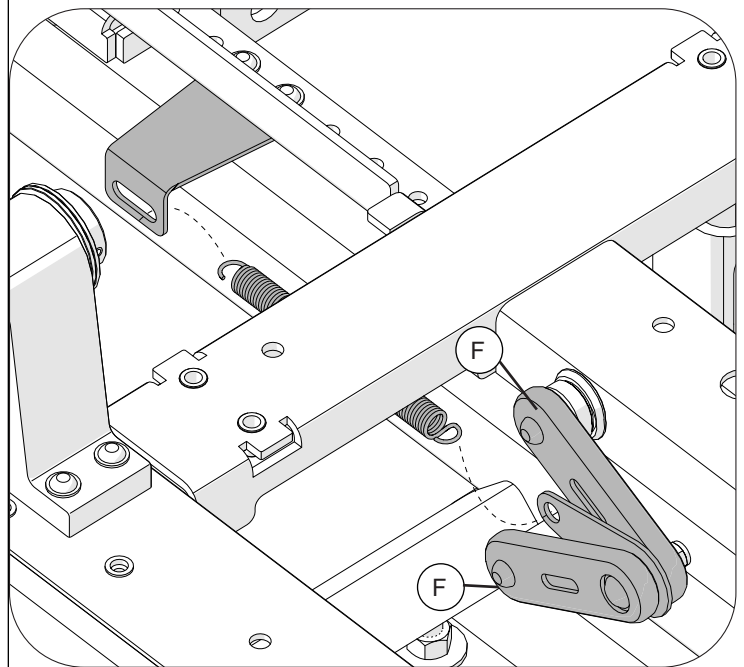
*	Part #	Description	Qty.
A	100175	3/8x2i SST Pat	16
B	136931	Nut Hex Nylok 3/8-16	16

*	Part #	Description	Qty.
C	100365	3/8" SAE Washer	16

NOTE: Spring Assembly is
in these four locations



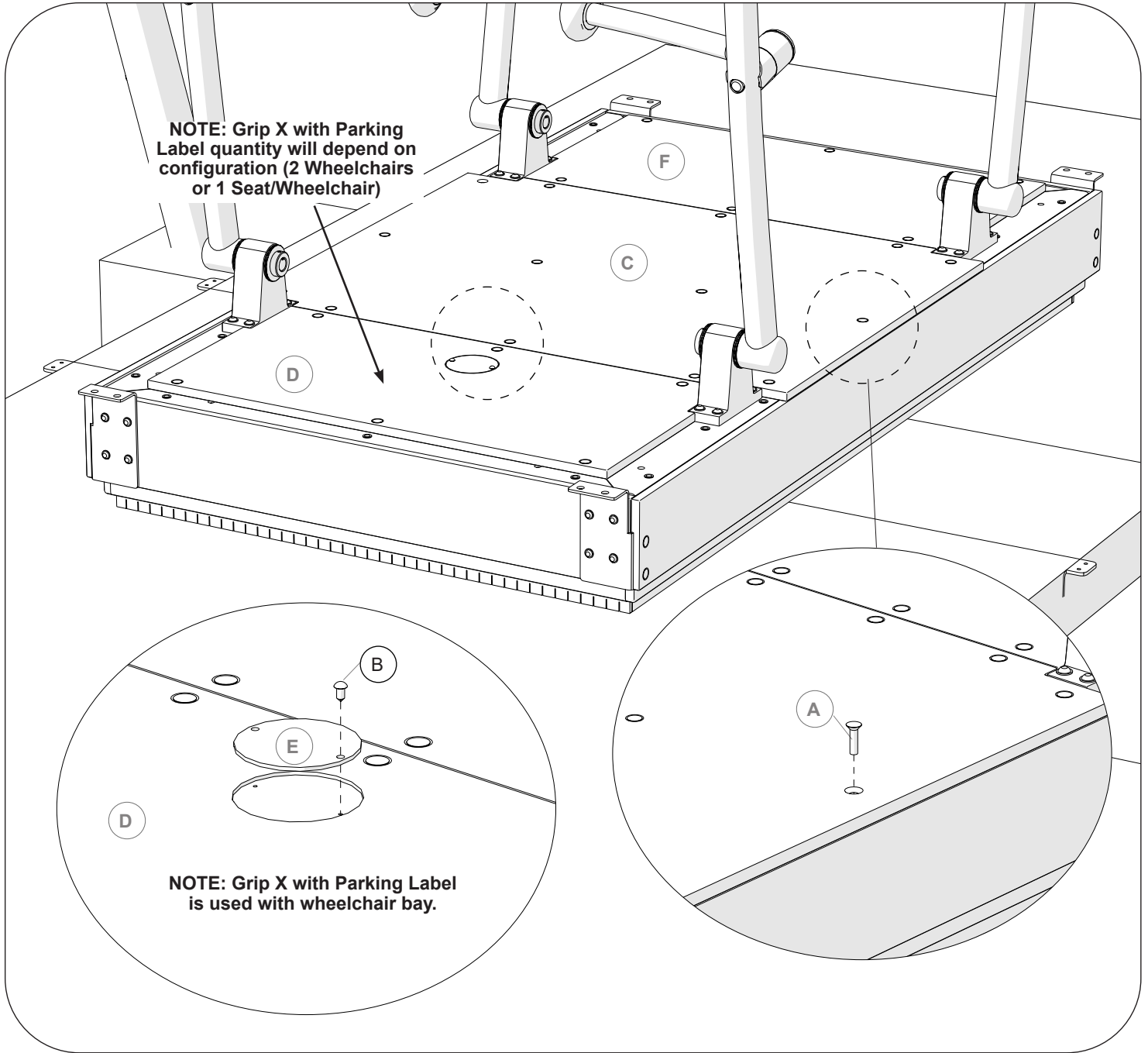
NOTE: Spring Assembly



NOTE: Spring Assembly location

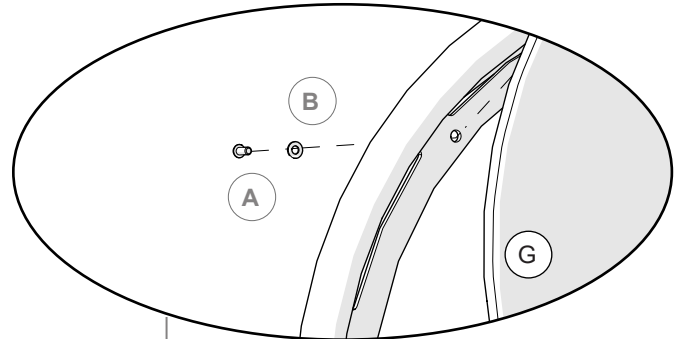
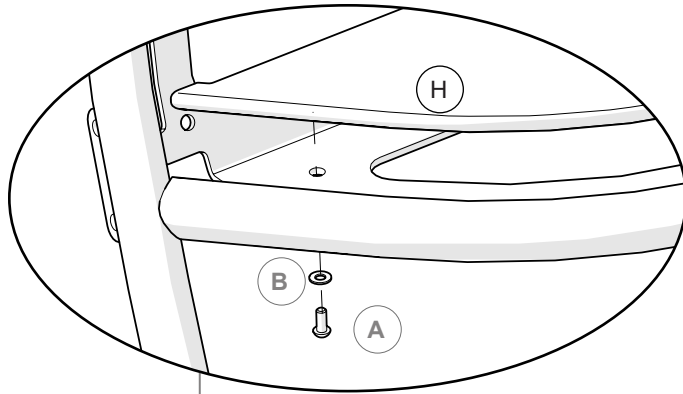
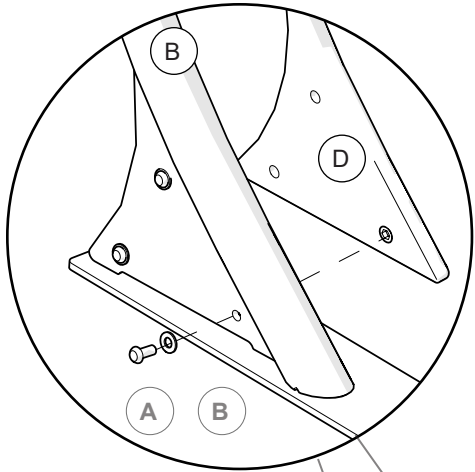
*	Part #	Description	Qty.
A	157704	BHCS 6lp LTHD 7/16x2i SST	4
B	100330	Nut Hex Nylok 7/16-14 SST	4
C	278566	Linkage Perm	8

*	Part #	Description	Qty.
D	278565	Linkage Plt Pnt	4
E	279768	Spring, SST, 8i	4
F	100292	BHCS 6lp LTHD 3/8x1-1/4i SST	8



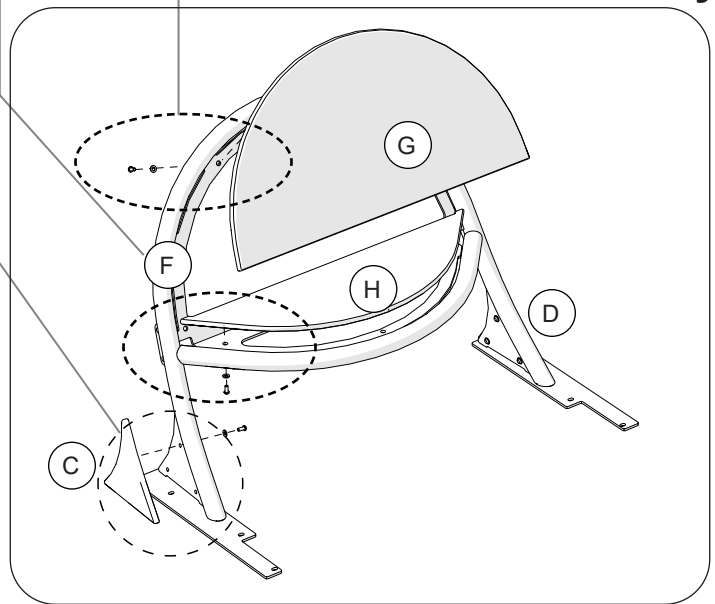
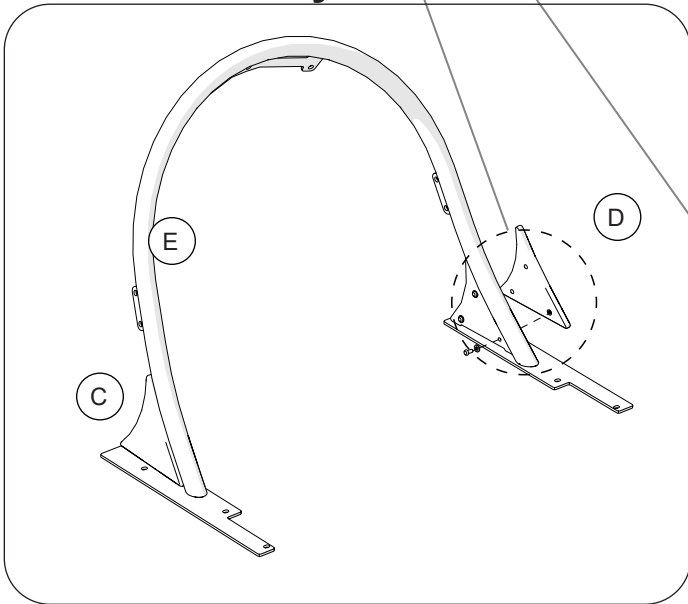
*	Part #	Description	Qty.
A	151421	FHCS 6lp 3/8x1-1/2" SST W/Patch	24
B	129671	BHCS Torx #14 X 1/2 SST	*
C	271429	Swing Center Deck Grip X	1

*	Part #	Description	Qty.
D	279012	Swing WC End Deck Grip X	*
E	257592	Parking Label Digi	*
F	271433	Swing End Deck Grip X	*



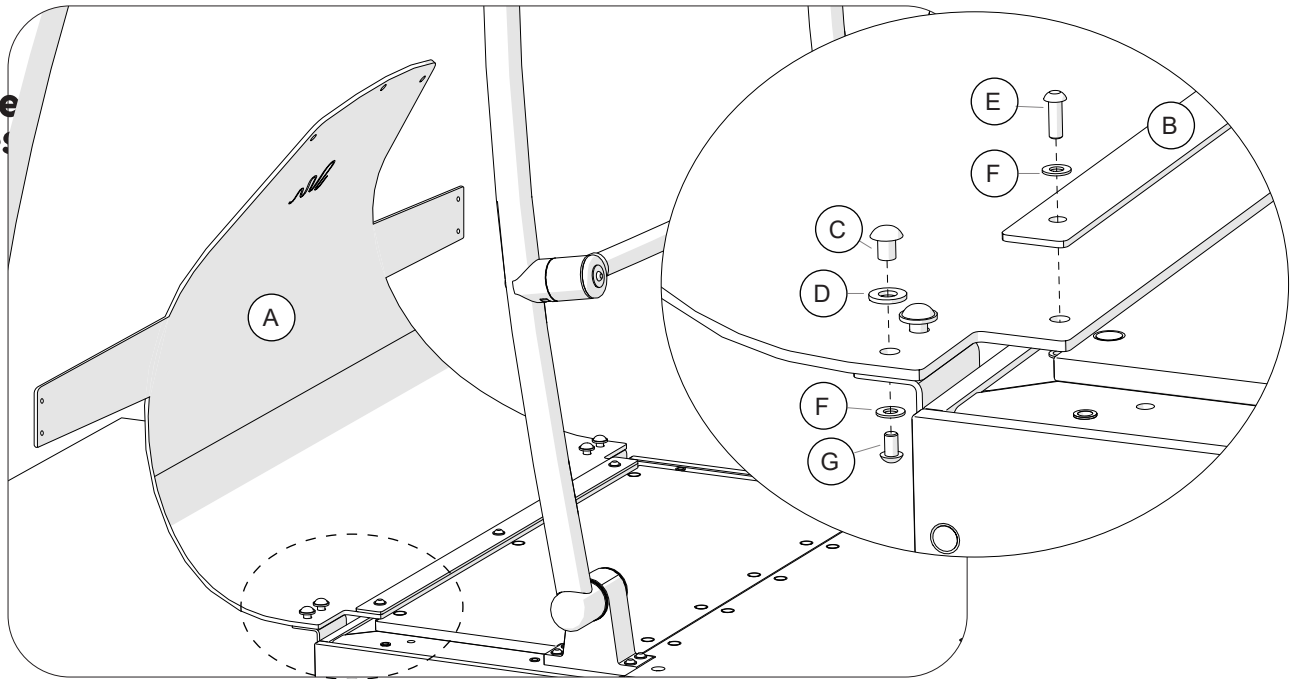
Wheelchair bay

Seat bay



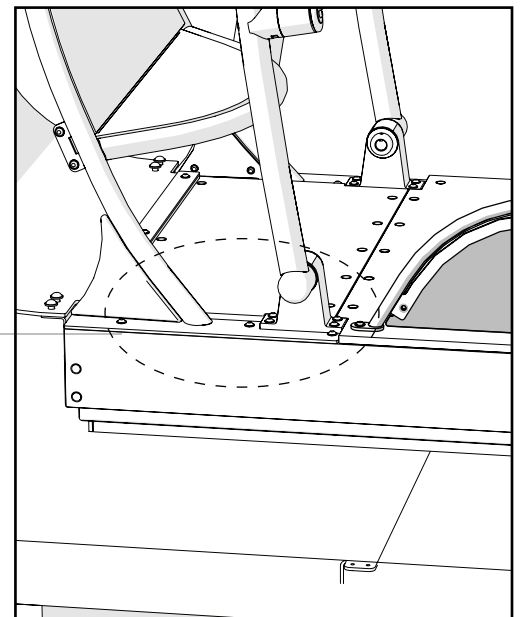
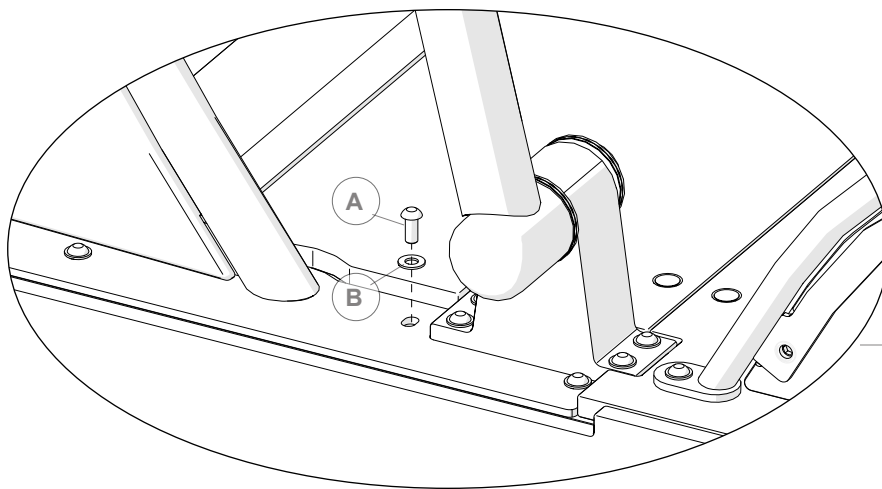
Wheelchair bay			
*	Part #	Description	Qty.
A	223807	$5/16$ x $3/4$ " BHCS	6
B	223956	$5/16$ " SAE Flat Washer	6
C	274202	Seat Gusset Perm Rh	1
D	274201	Seat Gusset Perm Lh	1
E	272856	Wc Swing Wc Seat	1

Seat bay			
*	Part #	Description	Qty.
A	223807	$5/16$ x $3/4$ " BHCS	16
B	223956	$5/16$ " SAE Flat Washer	16
C	274202	Seat Gusset Perm Rh	1
D	274201	Seat Gusset Perm Lh	1
F	272855	Wc Swing Seat	1
G	274132	Wc Swing Seat Back Perm	1
H	274135	WC Swing Seat Bottom Perm	1



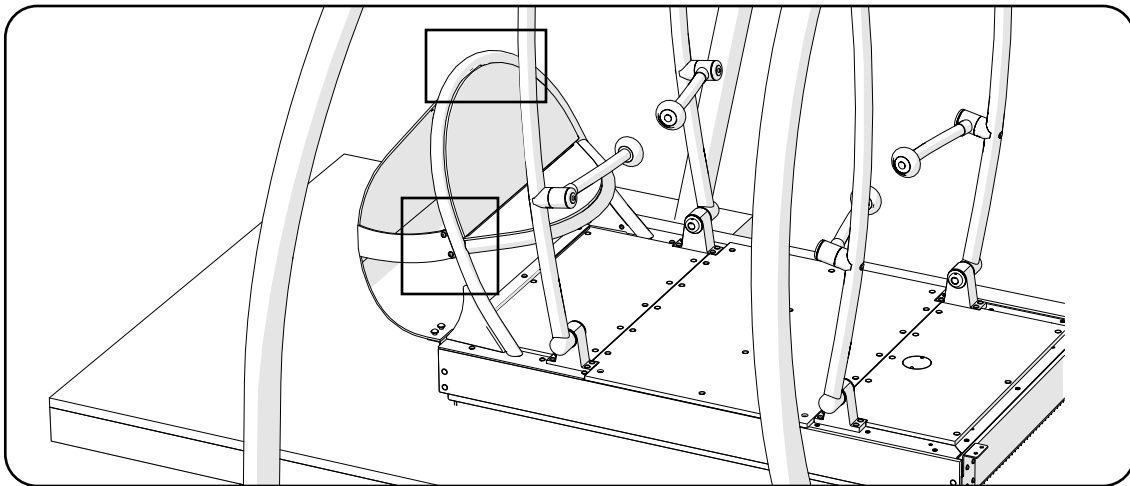
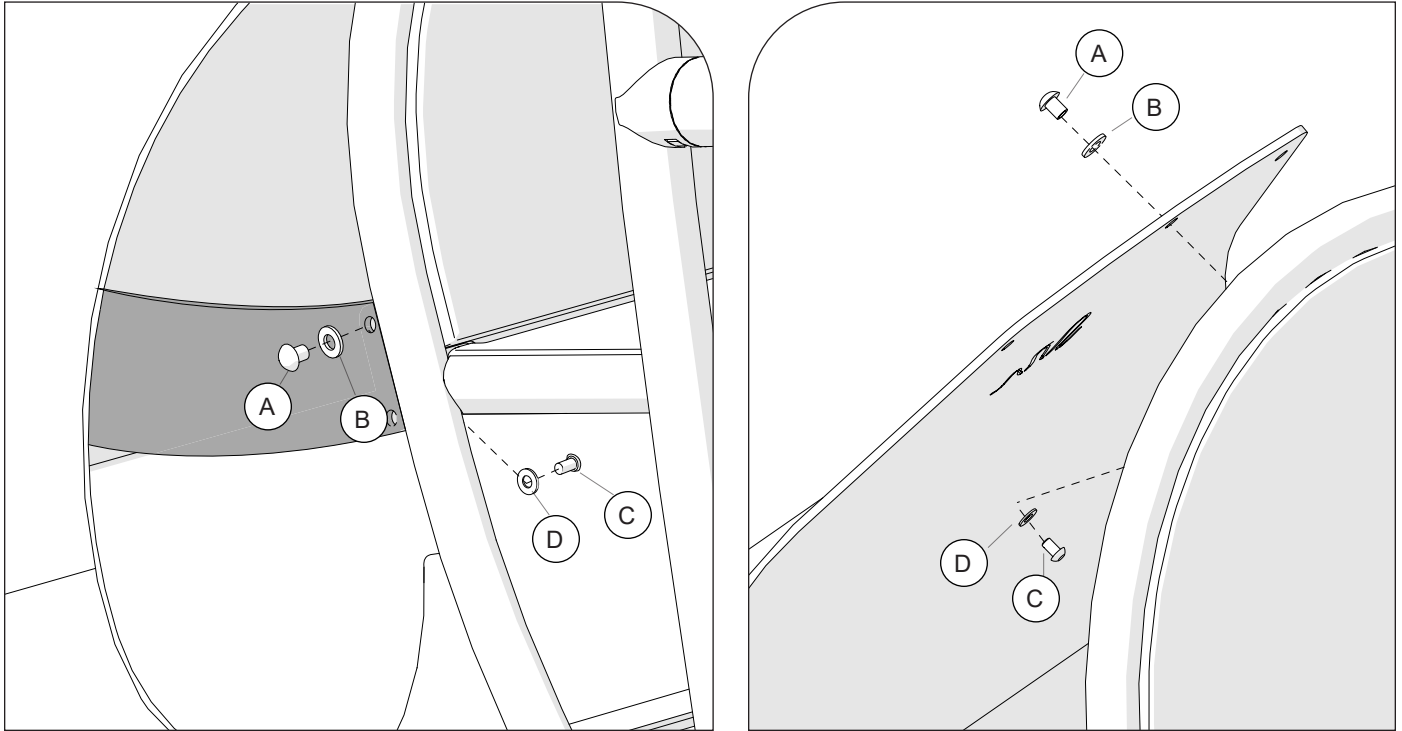
* Part #	Description	Qty.
A 274938	Swing Belt	2
B 274937	Belt Top Plate	2
C 100353	Flg Nut 6lp 3/8-16 SST	8
D 113550	Washer Flat SAE 1/2i SST	8

* Part #	Description	Qty.
E 100198	3/8 x 1 1/8" BHCS	6
F 100365	3/8" SAE Washer	14
G 100195	3/8 x 5/8" BHCS	8



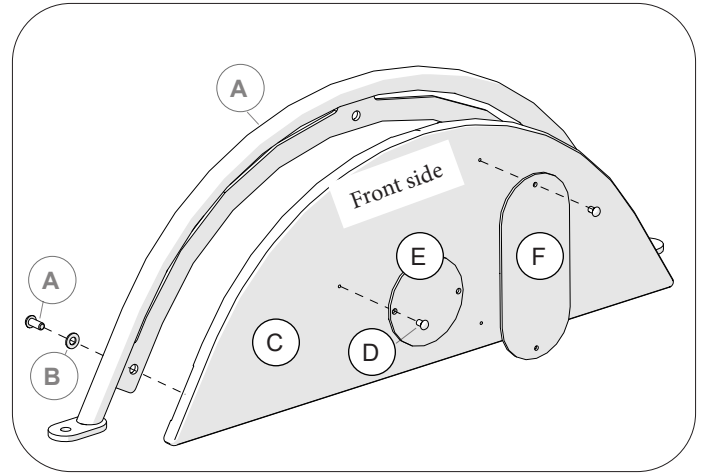
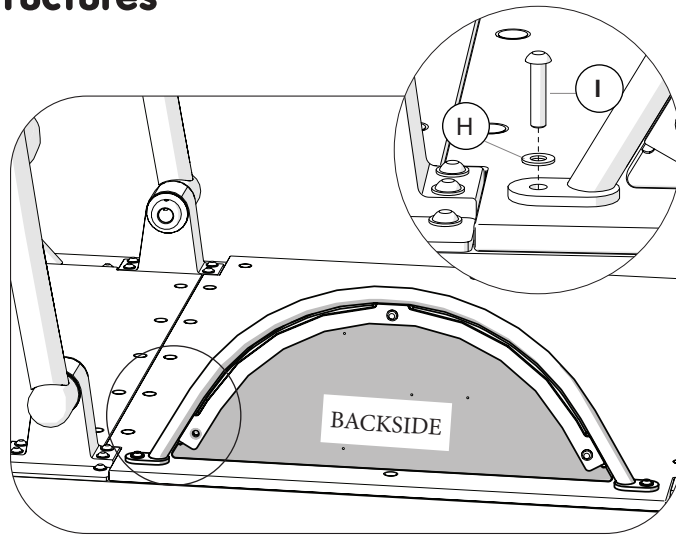
* Part #	Description	Qty.
A 100196	3/8 x 7/8" BHCS	12

* Part #	Description	Qty.
B 100365	3/8 SAE Washer	12



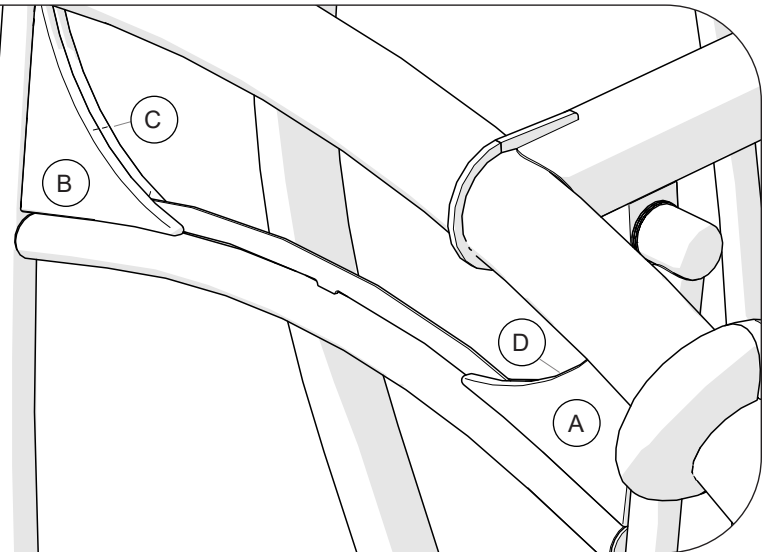
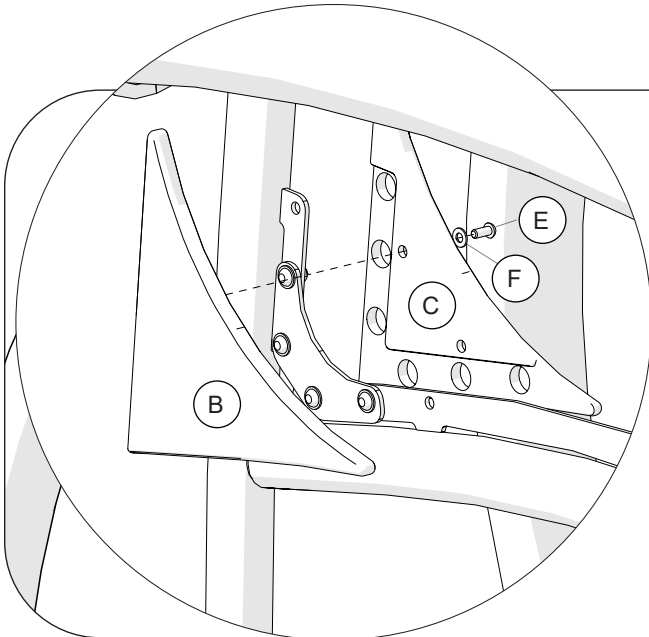
*	Part #	Description	Qty.
A	100353	Flg Nut 6lp 3/8-16 SST	14
B	113550	Washer Flat SAE 1/2i SST	14

*	Part #	Description	Qty.
C	100195	$\frac{3}{8}$ x $\frac{5}{8}$ " BHCS	14
D	100365	$\frac{3}{8}$ " SAE Washer	14



* Part #	Description	Qty.
A 223807	5/16" x 3/4" BHCS	3
B 223956	5/16" SAE Flat Washer	3
C 274081	Swing Deck Curb Panel	1
D 129671	BHCS Torx #14 X 1/2 SST	4

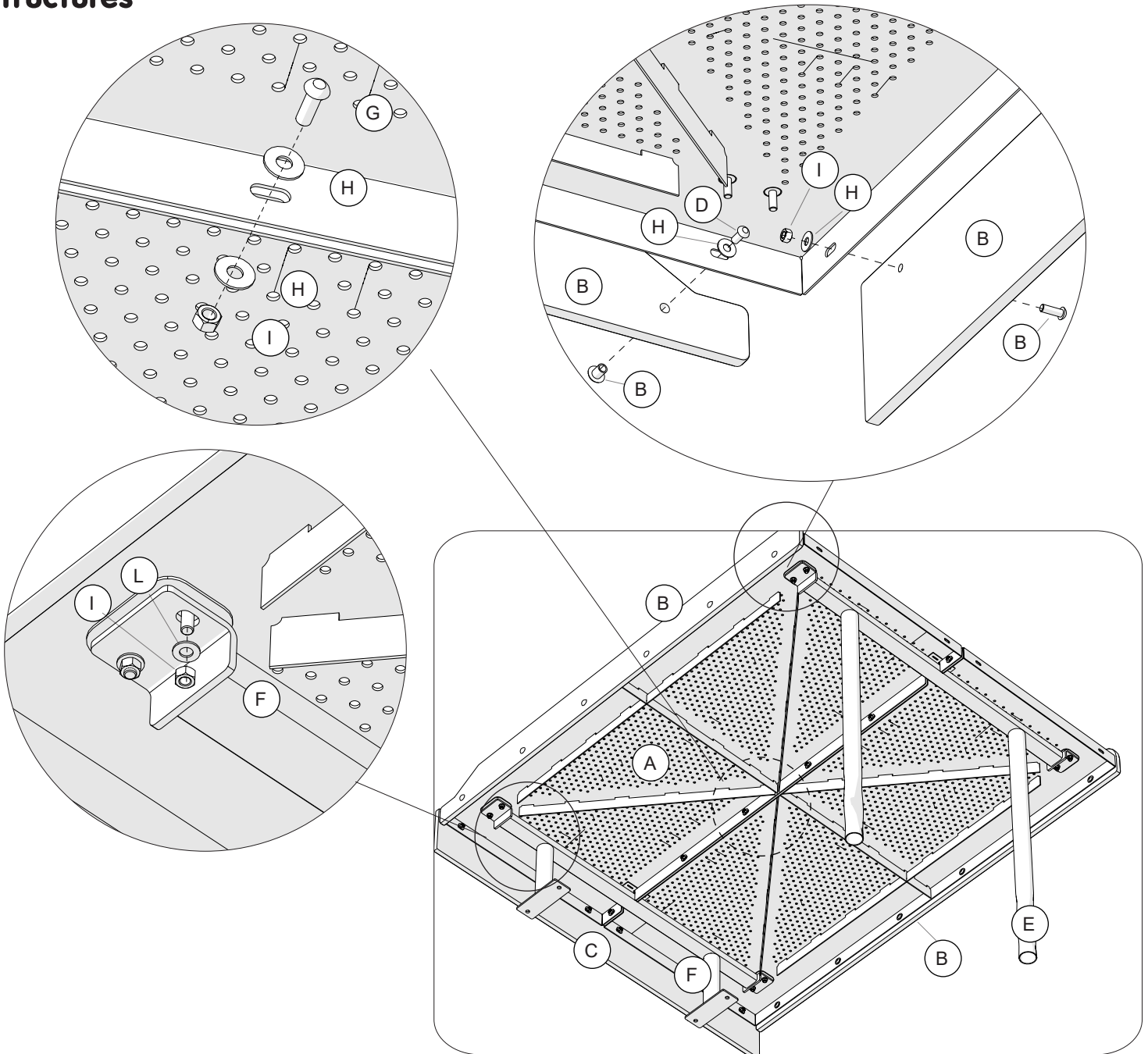
* Part #	Description	Qty.
E 257592	Parking Label Digi	1
F 251343	2-12 Yrs Play Safe Warning Plt Flat Large	1
G 274080	Swing Deck Curb	1
H 100365	3/8" SAE Washer	2
I 123224	3/8" x 1 11/16" BHCS	2



* Part #	Description	Qty.
A 274114	Swing Arm Brace Perm Rh	2
B 274079	Swing Arm Brace Perm Lh	2
C 278683	Swing Arm Brace Perm 2	2

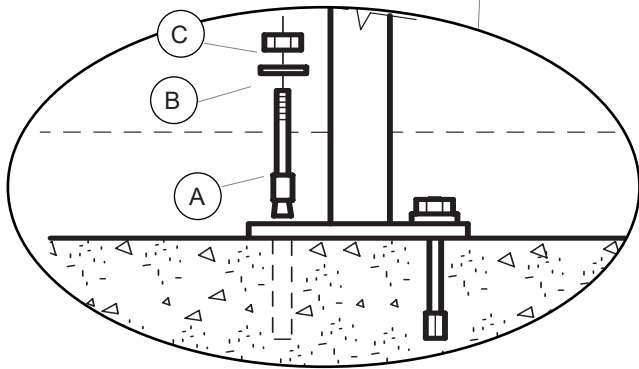
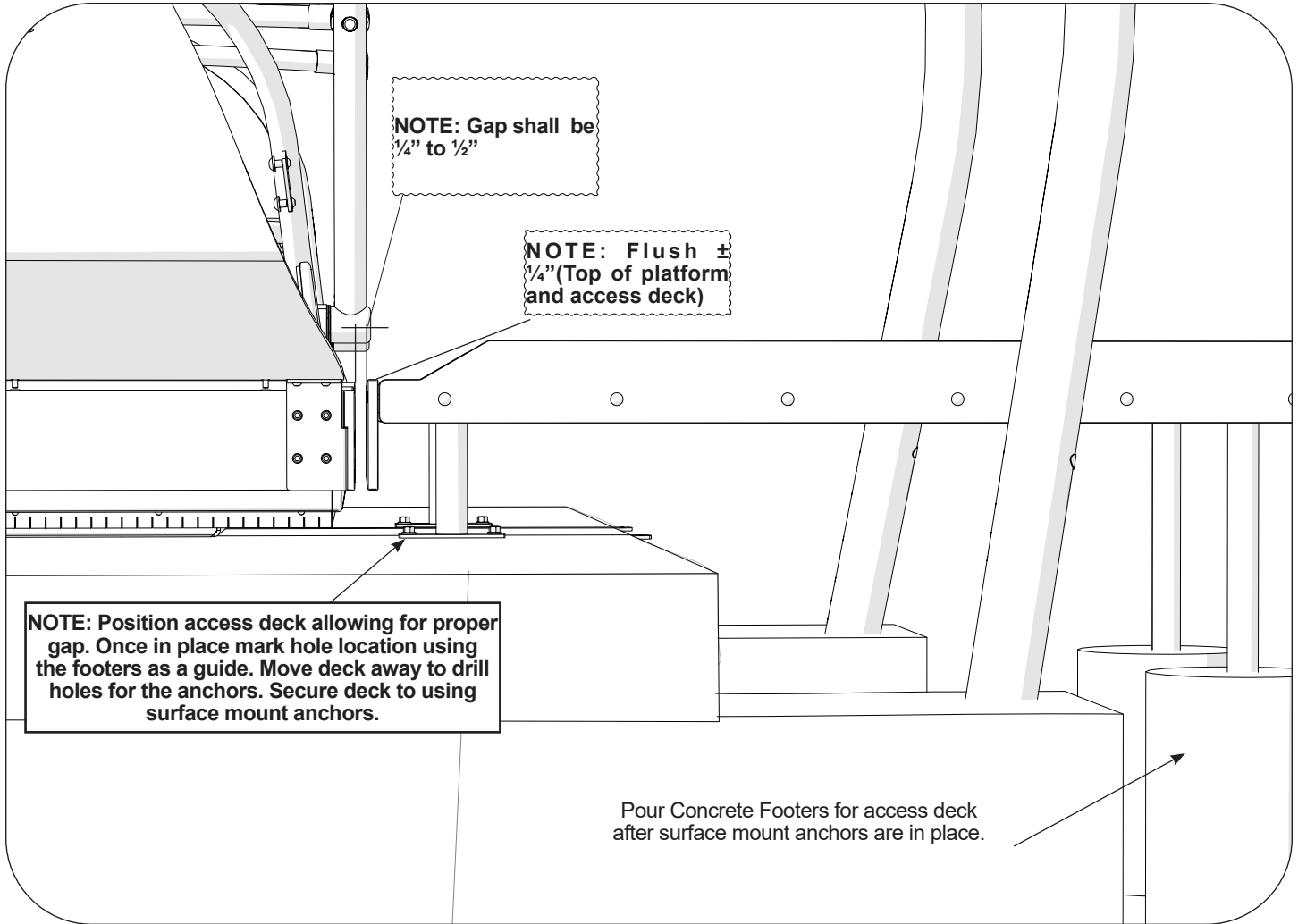
* Part #	Description	Qty.
D 279162	Swing Arm Brace Perm Rh 2	2
E 223807	BHCS 6lp 5/16i -18 X 3/4i SST	16
F 223956	Washer Flat SAE 5/16i SST	16

ACCESS DECK



* Part #	Description	Qty.
A 271815	Swing Access Deck 60i X 72i Pvc	2
B 271888	Deck Curb 60i	2
C 272958	60i Deck Wear Plate	1
D 100196	3/8" X 7/8" BHCS	12
E 271818	Swing Access Deck Footer DB	1
F 271819	Swing Access Deck Footer SM	1

* Part #	Description	Qty.
G 100198	3/8" X 1 1/8" BHCS	10
H 100362	Washer Flat 3/8i SST	28
I 100327	3/8" Standard Hex Nut	18
J 100353	Flg Nut 6lp 3/8-16 SST	12
K 271819	Swing Access Deck Footer SM	1
L 100365	3/8" SAE Washer	8



*	Part #	Description	Qty.
A	100266	Exp Anchor 1/2x2-3/4i Zp	4
B	100363	Washer Flat 1/2i SST	4

*	Part #	Description	Qty.
C	100322	Nut Hex Std 1/2-13 SST	4

Parts List

Two Wheelchairs Configuration

Part#	Description	Qty.
165895	Rebar #5 X 9ft6in	29
182262	Rung Cap	4
271008	Deck Support Frame Pnt, Specify Color	1
271429	Swing Center Deck Gripx, Black	1
271433	Swing End Deck Gripx, Black	1
271540	Deck Skirt Side, Black	2
271541	Deck Skirt End, Black	2
271624	Trolley Track Frame, Specify Color	1
271815	Swing Access Deck 60i X 72i Pvc, Specify Color	2
271818	Swing Access Deck Footer DB, Specify Color	1
271819	Swing Access Deck Footer SM, Specify Color	1
271888	Deck Curb 60i, Specify Color	2
272034	Trolley Spacer, Specify Color	6
272544	Trolley Frame Side Skirt, Black	2
272545	Trolley Frame End Side Skirt, Black	2
272856	We Swing We Seat, Specify Color	2
272958	60i Deck Wear Plate, Specify Color	1
273300	Swing Arm Rh ASM, Specify Color	2
273301	Swing Arm Lh ASM, Specify Color	2
273329	Soft Stop Frame, Specify Color	1
273367	Anchor Cage Inclusive Swing, Specify Color	1
274078	Swing Arm Brace, Specify Color	2
274079	Swing Arm Brace Perm Lh, Specify Color	2
274080	Swing Deck Curb, Specify Color	1
274081	Swing Deck Curb Panel, Specify Color	1
274114	Swing Arm Brace Perm Rh, Specify Color	2
274201	Seat Gusset Perm Lh, Specify Color	2
274202	Seat Gusset Perm Rh, Specify Color	2
274807	Inclusive Swing Frame Leg, Specify Color	4
274908	Inclusive Swing Frame ASM, Specify Color	1
274909	Deck Mount Swing Pivot Anchor ASM, Specify Color	4
274935	Swing Arm Installation Lock, RED	2
274936	Deck Installation Support, RED	2
274937	Belt Top Plate, Specify Color	2
274938	Swing Belt	2
274939	Surfacing Trowel Bracket, Specify Color	4
274940	Side Sweeper	2
274941	Side Sweeper Plate, Specify Color	2
274942	End Sweeper	2
274943	End Sweeper Plate, Specify Color	2
275593	Hard Stop Bracket, Specify Color	2
275657	Trolley Assembly, Specify Color	2
277802	Swing Skirt Corner Bracket Lh, Black	2
277856	Swing Skirt Corner Bracket Rh, Black	2
278564	Linkage Brkt Pnt, Specify Color	4
278565	Linkage Plt Pnt, Specify Color	4
278566	Linkage Perm, Specify Color	8
278682	Swing Arm Mending Plt, Specify Color	4
278683	Swing Arm Brace Perm 2, Specify Color	2
279012	Swing We End Deck Gripx, Black	1
279162	Swing Arm Brace Perm Rh 2, Specify Color	2
279176	5i Flange Cover Casting Pnt, Specify Color	8
279874	Track Base Pnt, Specify Color	1
279974	Belt Bumper Stop	4
279246	Hdw Pkg We-Go-Swing™ Frame	1
287724	Hdw Pkg We-Go-Swing™ Deck	1
121348	Hdw Pkg 4-Hole SM 1/2-13	1
279928	Hdw Pkg We-Go-Swing™ Ramp	1
279930	Hdw Pkg We-Go-Swing™ W/C Frame	2
279931	Hdw Pkg We-Go-Swing™ Curb	1
279932	Hdw Pkg We-Go-Swing™ Arms	1
299962	Hdw Pkg We-Go-Swing™ Base	1
279935	Hdw Pkg We-Go-Swing™ Label Two Chairs	1
121348	Hdw Pkg 4-Hole SM 1/2-13	1
280068	Hdw Pkg We-Go-Swing™ Temporary Braces	1
281847	Hdw Pkg We-Go-Swing™ Trowel Frame	1

Parts List

One Wheelchair / One Seat Configuration

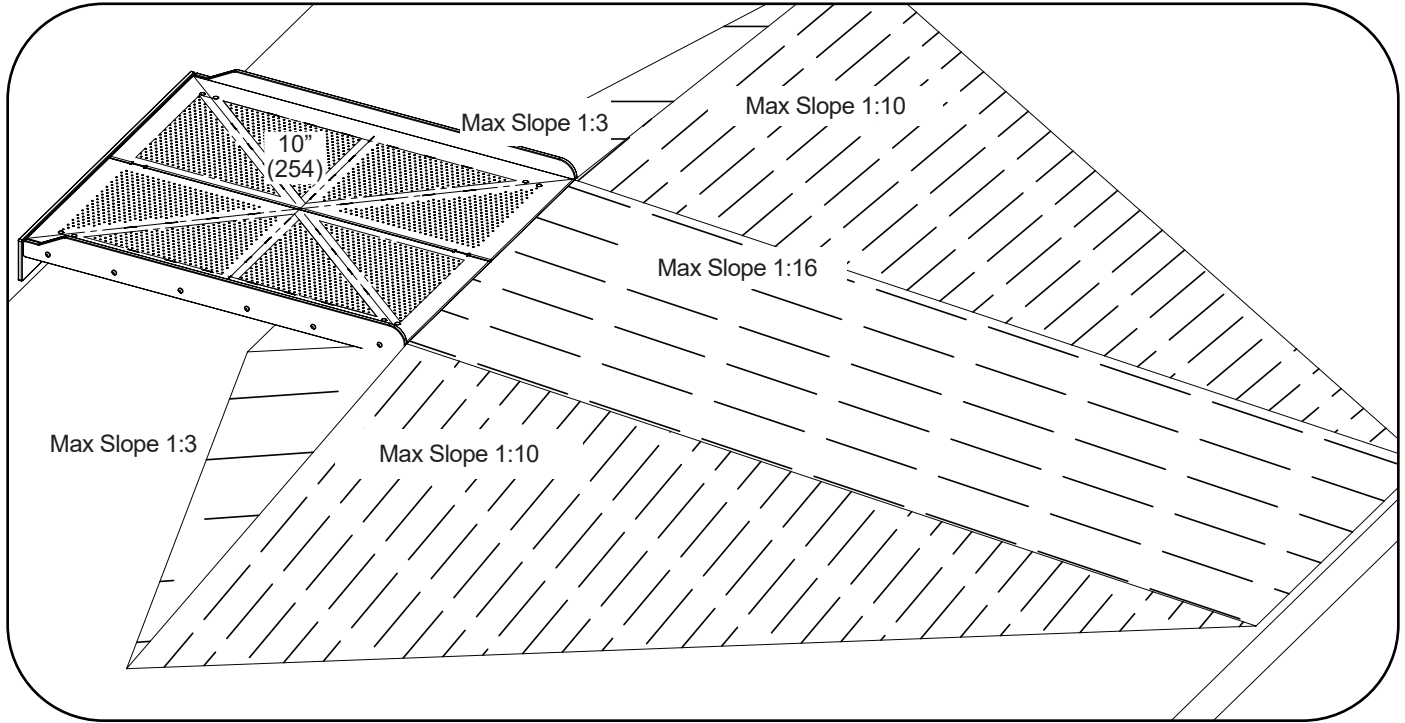
Part#	Description	Qty.
165895	Rebar #5 X 9ft6in	29
182262	Rung Cap	4
271008	Deck Support Frame Pnt, Specify Color	1
271429	Swing Center Deck Gripx, Black	1
271433	Swing End Deck Gripx, Black	1
271540	Deck Skirt Side, Black	2
271541	Deck Skirt End, Black	2
271624	Trolley Track Frame, Specify Color	1
271815	Swing Access Deck 60i X 72i Pvc, Specify Color	2
271818	Swing Access Deck Footer DB, Specify Color	1
271819	Swing Access Deck Footer SM, Specify Color	1
271888	Deck Curb 60i, Specify Color	2
272034	Trolley Spacer, Specify Color	6
272544	Trolley Frame Side Skirt, Black	2
272545	Trolley Frame End Side Skirt, Black	2
272855	We Swing Seat, Specify Color	1
272856	We Swing We Seat, Specify Color	1
272958	60i Deck Wear Plate, Specify Color	1
273300	Swing Arm Rh ASM, Specify Color	2
273301	Swing Arm Lh ASM, Specify Color	2
273329	Soft Stop Frame, Specify Color	1
273367	Anchor Cage Inclusive Swing, Specify Color	1
274078	Swing Arm Brace, Specify Color	2
274079	Swing Arm Brace Perm Lh, Specify Color	2
274080	Swing Deck Curb, Specify Color	1
274081	Swing Deck Curb Panel, Specify Color	1
274114	Swing Arm Brace Perm Rh, Specify Color	2
274132	We Swing Seat Back Perm, Specify Color	1
274135	We Swing Seat Bottom Perm, Specify Color	1
274201	Seat Gusset Perm Lh, Specify Color	2
274202	Seat Gusset Perm Rh, Specify Color	2
274807	Inclusive Swing Frame Leg, Specify Color	4
274908	Inclusive Swing Frame ASM, Specify Color	1
274909	Deck Mount Swing Pivot Anchor ASM, Specify Color	4
274935	Swing Arm Installation Lock, Red	2
274936	Deck Installation Support, Red	2
274937	Belt Top Plate, Specify Color	2
274938	Swing Belt	2
274939	Surfacing Trowel Bracket, Specify Color	2
274940	Side Sweeper	2
274941	Side Sweeper Plate, Specify Color	2
274942	End Sweeper	2
274943	End Sweeper Plate, Specify Color	2
275593	Hard Stop Bracket, Specify Color	2
275657	Trolley Assembly, Specify Color	2
277802	Swing Skirt Corner Bracket Lh, Black	2
277856	Swing Skirt Corner Bracket Rh, Black	2
278564	Linkage Brkt Pnt, Specify Color	4
278565	Linkage Plt Pnt, Specify Color	4
278566	Linkage Perm, Specify Color	8
278682	Swing Arm Mending Plt, Specify Color	4
278683	Swing Arm Brace Perm 2, Specify Color	2
279012	Swing We End Deck Gripx, Black	1
279162	Swing Arm Brace Perm Rh 2, Specify Color	2
279176	5i Flange Cover Casting Pnt, Specify Color	8
281818	Surfacing Trowel Bracket 2, Specify Color	2
279874	Track Base Pnt, Specify Color	1
279974	Belt Bumper Stop	4
121348	Hdw Pkg 4-Hole SM 1/2-13	1
279246	Hdw Pkg We-Go-Swing™ Frame	1
287724	Hdw Pkg We-Go-Swing™ Deck	1
279928	Hdw Pkg We-Go-Swing™ Ramp	1
279929	Hdw Pkg We-Go-Swing™ Seat	1
279930	Hdw Pkg We-Go-Swing™ W/C Frame	1
279931	Hdw Pkg We-Go-Swing™ Curb	1
279932	Hdw Pkg We-Go-Swing™ Swing Arms	1
299962	Hdw Pkg We-Go-Swing™ Base	1
279934	Hdw Pkg We-Go-Swing™ Label One Chair	1
280068	Hdw Pkg We-Go-Swing™ Temporary Braces	1
281847	Hdw Pkg We-Go-Swing™ Trowel Frame	1

Specifications

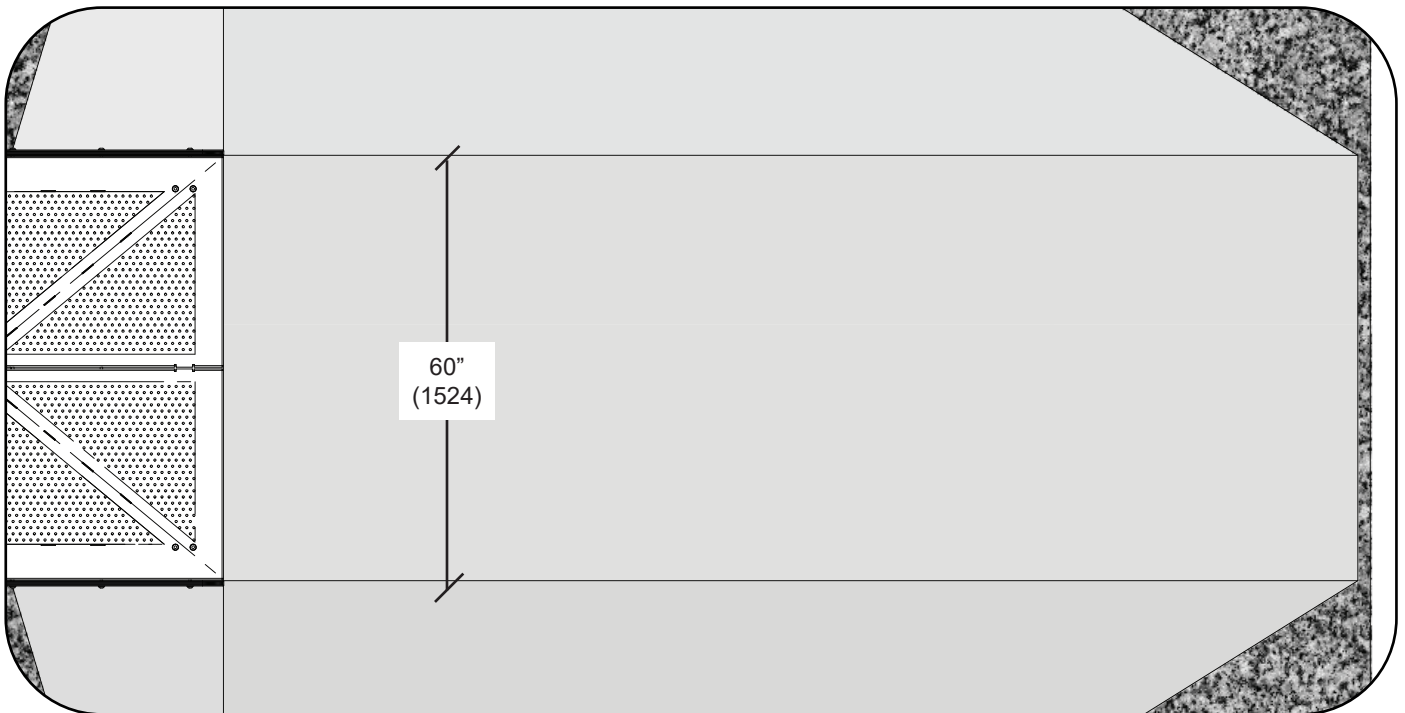
Trim:	Permalene®, color specified.
Fasteners:	Primary fasteners shall be socketed and pinned tamper proof in design, stainless steel (SST) per ASTM F 879 unless otherwise indicated (see specific product installation/specifications).
Bridge/Ramp:	Weldment comprised of 12 GA (.105") (2,66 mm) sheet HRPO steel conforming to ASTM A1011 and 3/16" (4,75 mm) HR flat steel. Standing surface is perforated with 5/16" (7,92 mm) diameter holes. Finish: TenderTuff, color specified.
Permalene Panels:	Recycled Permalene, color specified.
Belts	Made from .315" think mini rough top 3-ply rubber belting with polyester fabric plys, black in color
Grip X Deck Surface:	3/4" (19,05 mm) Thick Permalene®, black in color.
Swing Frame:	Weldment comprised of 5" (127 mm) O.D. .179 wall (4,55 mm) (7ga) Zinc Galvanized steel tubing, 3/8" (9,53 mm) HRPO steel plate, 1/2" (12,7 mm) HRPO Steel plate, bearing blocks stainless steel and self aligning bearings. Finish; ProShield, color specified.
Swing Legs:	Weldment comprised of 5" (127 mm) O.D. .120 wall (3,05 mm) (11GA) zinc galvanized steel tubing, 1/2" (12,7 mm) HRPO steel plate. Finish; Proshield, color specified.
Swing Arms:	Weldment comprised of 2.875" (73,03 mm) O.D. RS40 (.160" - .170") (4,06 mm - 4,32 mm) wall galvanized steel tubing, 2.375" (60,33 mm) O.D. RS40 (.130" - .140") (3,30 mm - 3,56 mm) wall galvanized steel tubing, 1.90" (48,26 mm) O.D. RS20 (.090" - .100") (2,29 mm - 2,54 mm) wall galvanized steel tubing, 1.66" (42,16 mm) O.D. RS40 (.111" - .121") (2,82 mm - 3,07 mm) wall galvanized steel tubing, 1/2" (12,7 mm) HRPO steel plate, .179" (4,55 mm) HRPO steel sheet, 2.75" (69,85 mm) O.D. Stainless steel bar, 1.25" (31,75 mm) O.D. Stainless steel bar, 2.875" (73,03 mm) O.D. stainless steel bar, 1/4" (6,35 mm) stainsteel plate. Finish: Proshield, color specified.
Trolley Base:	Comprised of 1/4" (6,35 mm) HRPO steel plate, Finish: ProShield, color specified.
Trolley Assembly:	Comprised of 1-1/2" (38,1 mm) square steel bar, 3/16" (4,78 mm) stainless steel sheet, 5/16" (7,94 mm) stainless steel shafts, urethane roller skate wheels. Finish: ProShield, color specified.
Trolley Spacer:	1-1/8" (28,58 mm) O.D. aluminum tubing. Finish: Proshield: color specified
Trolley Frame:	Weldment comprised of .190" (4,83 mm) aluminum sheet, 1-1/8" (28,58 mm) aluminum tubing. Finish: ProShield, color specified.
Seat Frame:	Weldment comprised of 1.90" (48,26 mm) O.D. RS40 (.120" - .130") (3,05 mm - 3,30 mm) wall galvanized steel tubing, 1/4" (6,35 mm) HRPO steel plate. Finish: Proshield, color specified.

Curb Frame:	Weldment comprised of 1.029" (26,14 mm) O.D. RS20 (.070" - .090") (1,78 mm - 2,29 mm) wall galvanized steel tubing, 1/4" (6,35 mm) HRPO steel plate, .179" (4,55mm) HRPO steel sheet. Finish; ProShield, color specified.
Anchor Cage:	Weldment comprised of 1/4" (6,35 mm) HRPO steel plate, 1.029" (26,14 mm) O.D. .083" (2,11 mm) wall galvanized steel tubing, 5/8-11UNC thread weld slug. Finish: ProShield, color specified.
Soft Stop:	Weldment comprised of 3/8" (9,53 mm) HRPO steel plate, .179" (4,55 mm) HRPO steel sheet. Finish: ProShield, color specified.
Hard Stop:	Weldment comprised of 3/8" (9,53 mm) HRPO steel plate, 1/4" (6,35 mm) HRPO steel Plate. Finish: ProShield, color specified.
Swing Arm	Brace: Weldment comprised of 2.375" (60,33 mm) O.D. RS20 (.095" - .105") (2,41 mm - 2,67 mm) galvanized steel tubing, 1/4" (6,35 mm) HRPO steel plate, .179" (4,55 mm) steel sheet. Finish: Proshield, specify color.
Belt Plates:	Comprised of 1/8" (3,18 mm) aluminum sheet. Finish: ProShield, color specified.
Mending Plates:	Comprised of 7 ga. (4,55 mm) HRPO steel sheet. Finish: ProShield, color specified.
Rung Cap:	EPDM, black in color.
Access Deck Supports:	Weldment comprised of 2-1/2" (63,5 mm) x 1-1/2" (38,1 mm) x 1/4" (6,35 mm) wall rect steel tubing, 2-3/8" ((60,33 mm) RS20 (.095" - .105") (2,41 mm - 2,67 mm) wall galvanized steel tubing, 1/4" (6,35 mm) HRPO steel plate. Finish: ProShield, color specified.
Installation Time:	Approx. 60 install hours
Concrete Req.:	Approx. 9.5 cu. yards
Weight:	Two Wheelchair Seats -2312 lbs. One Wheelchair Seat - 2357 lbs.

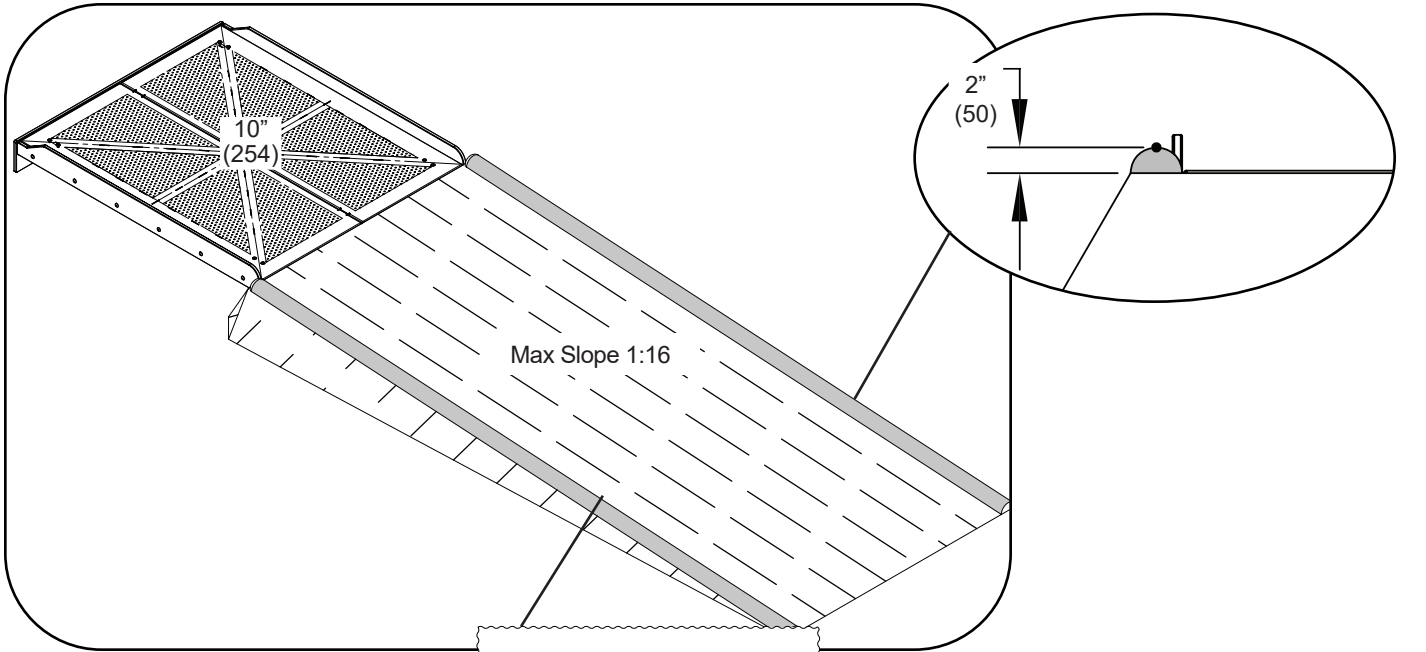
POUR IN PLACE RAMP



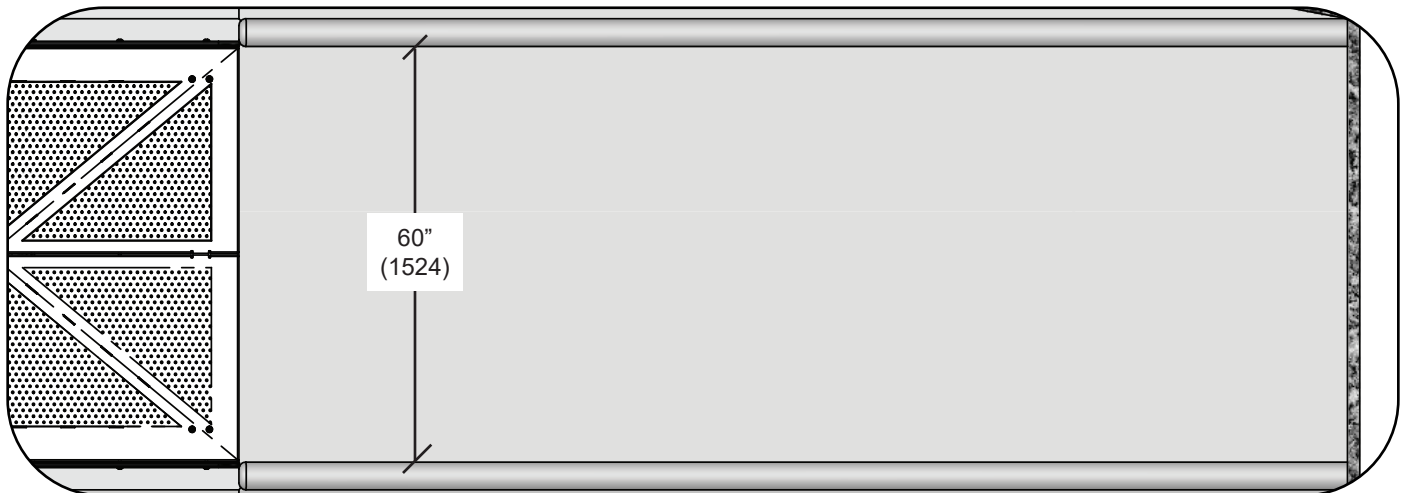
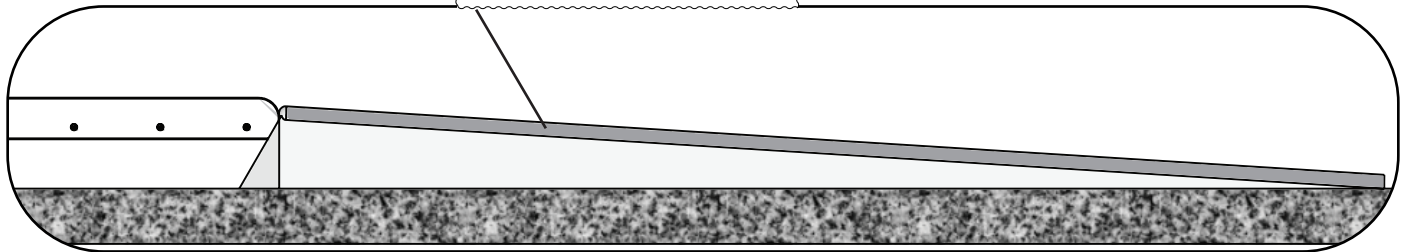
NOTE: Accessible route needs to be 1:16 and 60" wide



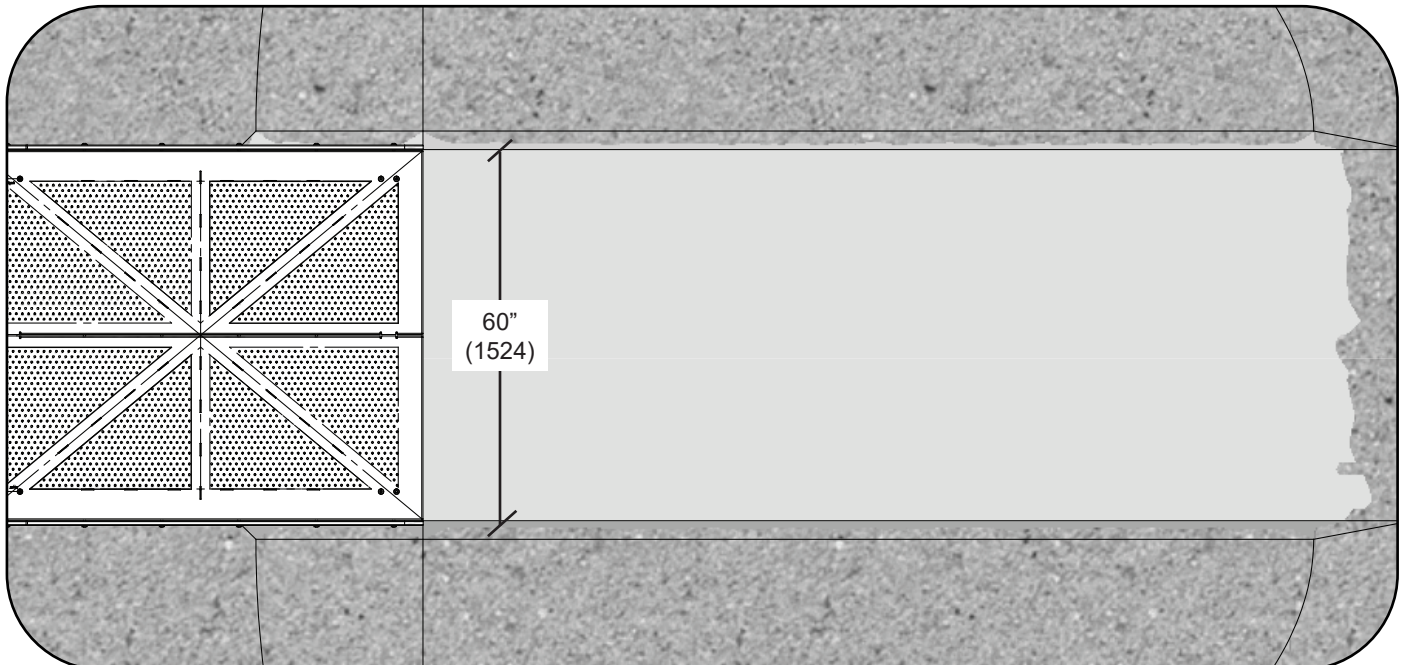
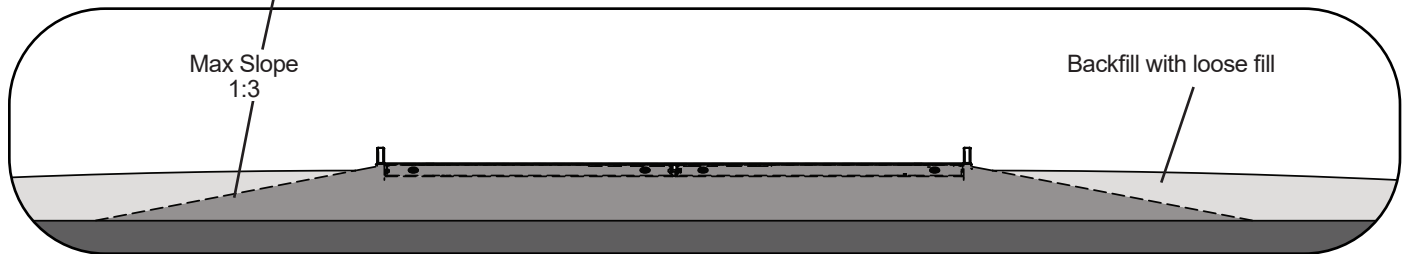
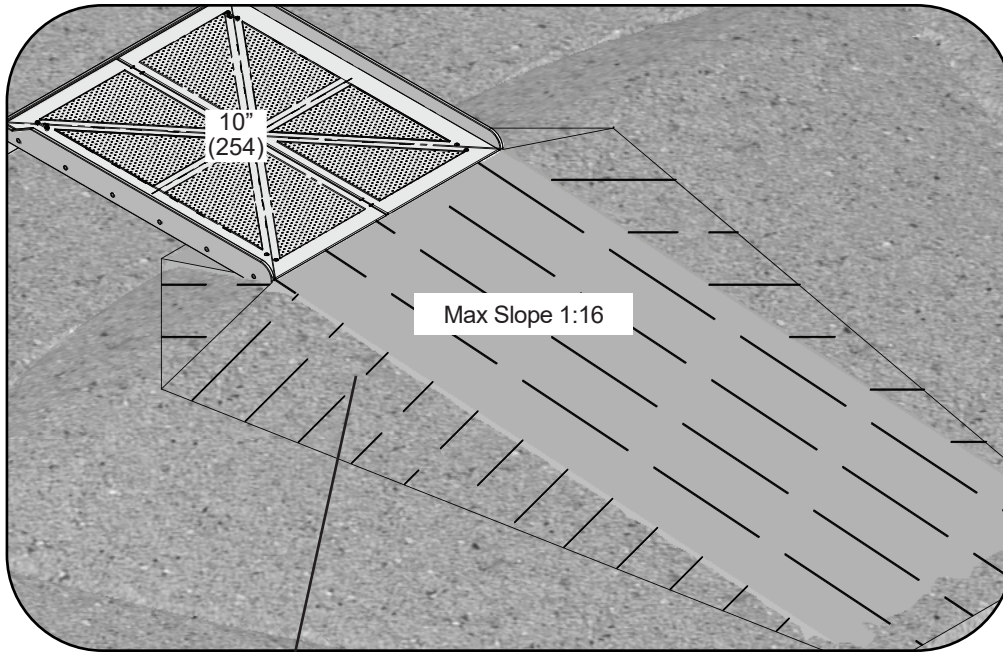
POUR IN PLACE RAMP WITH CURBS



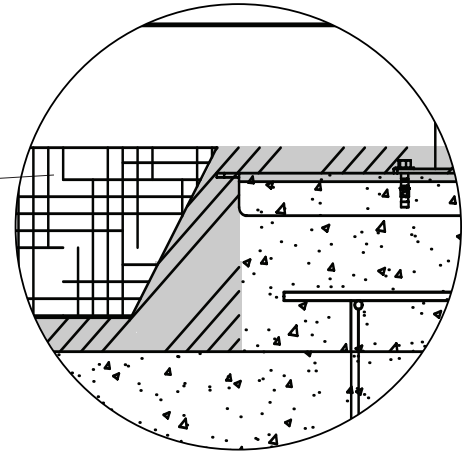
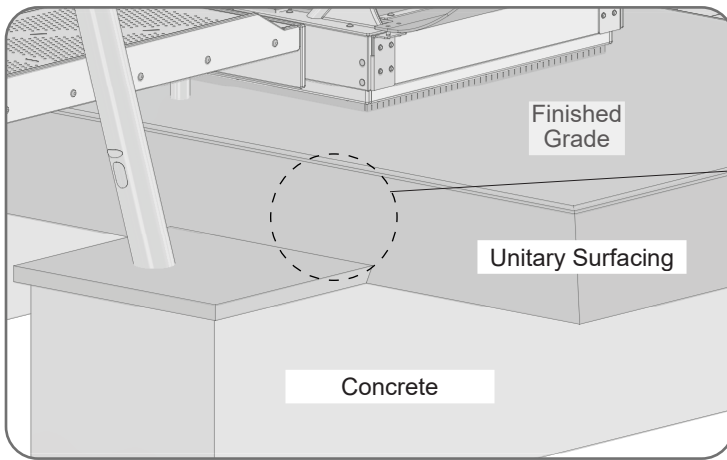
NOTE: Curb 2" or greater from sloped surface. Curb shall be a contrasting color to the ramp



POUR IN PLACE RAMP WITH CURBS WITH LOOSE BACK FILL

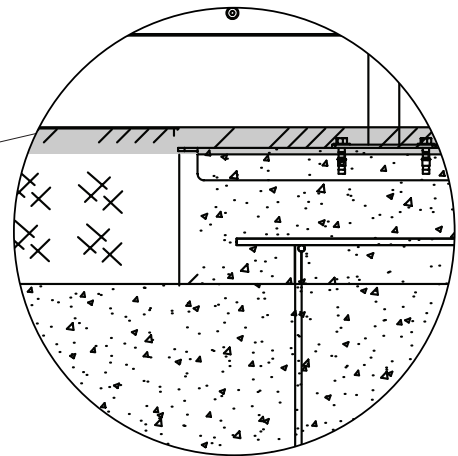
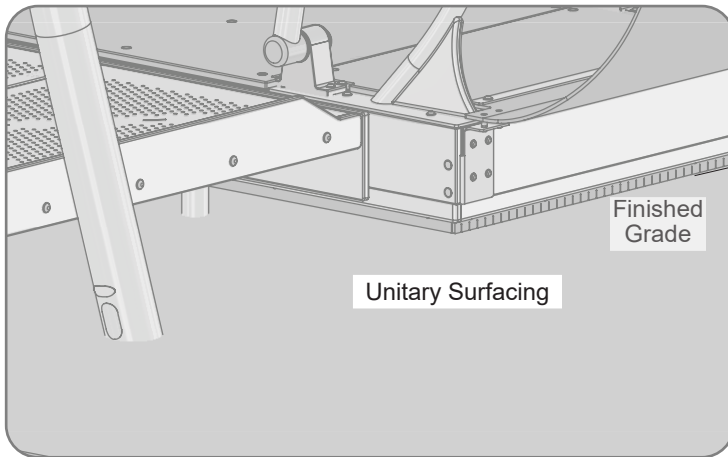


POUR IN PLACE WITH LOOSE FILL



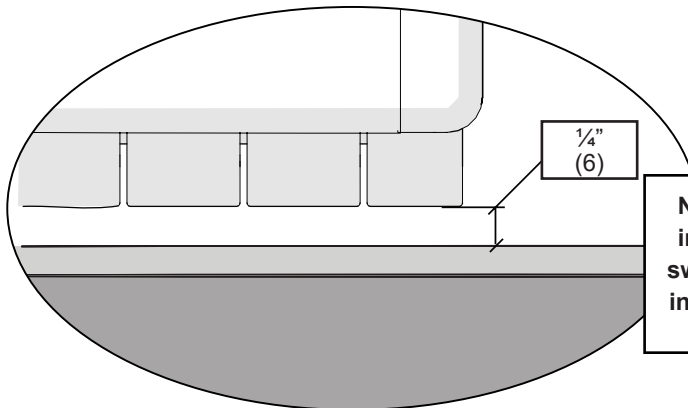
1 ½"-2" Unitary surfacing with a turn-down, covering concrete. Back fill with loose fill surfacing.

POUR IN PLACE



1 ½"-2" Unitary surfacing covering concrete and subgrade

SWEEPER DETAIL



NOTE : Sweepers must not drag along poured in place surfacing. The maximum distance the sweeper belts can be is 1/4" (6) from the poured in place surfacing. Adjust sweepers if needed